

5E Fiberglass Enclosures Pushbutton Series

Eaton's Crouse-Hinds Pushbutton Series offers a solution for applications requiring an enclosure with multiple pre-drilled openings for pushbuttons available in 30mm and 22mm configurations. The notched keyhole design, and the ability to order up to 25 holes, makes this versatile series a perfect match for your general purpose electrical and control station applications. Available in a choice of two body designs, these enclosures are made of fiberglass reinforced polyester and have a memory retaining polyurethane gasket and stainless steel screws for exceptional corrosion and chemical resistance. The Pushbutton Series will hold up under the most extreme conditions and provide protection in adverse conditions such as water, steam, vapor or chemicals.

Features & Benefits:

- Lift-off cover design with 4 cover screws
- Memory retaining continuous polyurethane gasket
- Captive stainless steel cover screws
- Full metal grounding strap
- Notched key hole design
- Chemical resistant fiberglass reinforced polyester
- Submersible, non-corrosive design
- Water-tight, dust-tight
- Non-conductive, impact resistant, UV resistant
- Material cuts, drills, punches, and saws with ease and accuracy
- Rounded edges, minimal protrusions or exposed pocket areas for assembly of dust and debris
- Smooth surface, no color variations, swirls or color pockets, no voids

Certification & Compliances:

- UL/cUL 50, Types 1, 3, 4X, 6P, 12
- UL File Number E57656
- CSA Std C22.2 - File 244248 Types 1, 3, 4X, 6P, 12
- NEMA Standard 250 - Types 1, 3, 4X, 6P, 12
- Temperature Range - (-76°F to +250°F) (-60°C to +120°C)
- Flammability Rating - UL94-5V
- Non-flame propagating



Materials and Finishes:

- Hot compression molded fiberglass reinforced thermoset polyester
- Poured polyurethane seamless gasket provides water-tight dust-tight environmental seal
- Captive stainless steel screws
- 304 stainless steel used on all external hardware
- Stainless steel beaded cover retention chain on the FPBM series

Options:

- Mounting feet kit available for field installation. Order part number F5JMTGFTKIT

5E

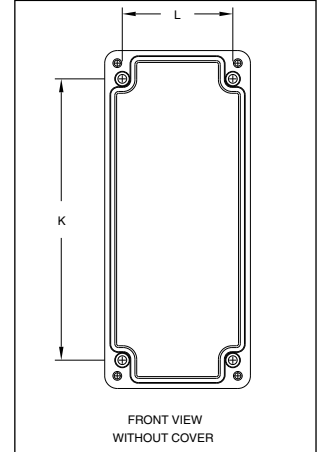
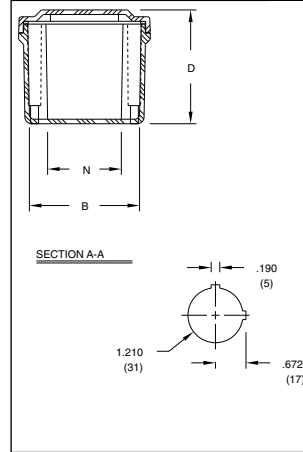
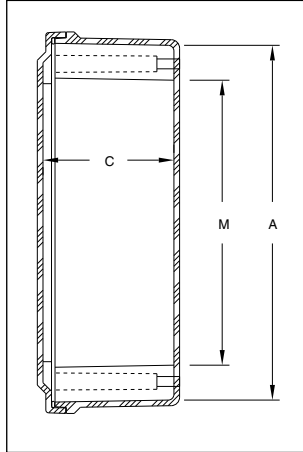
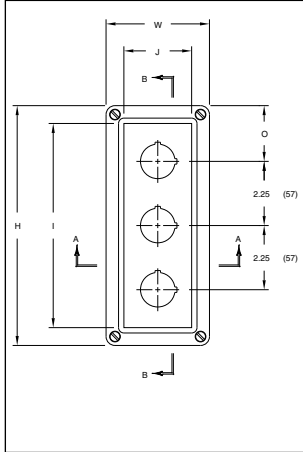
Ordering Information:

Inside H x W x D	Holes	30mm Pushbutton	Inside H x W x D	22mm Pushbutton	Inside H x W x D	Holes	30mm Multi-Hole Pushbutton	Mounting Plate*
6.00 x 3.19 x 3.63	1	FPB31	6.00 x 3.19 x 3.63	FPB21	5.72 x 5.72 x 4.45	4	FPBM34	FMP0606
6.00 x 3.19 x 3.63	2	FPB32	6.00 x 3.19 x 3.63	FPB22	7.73 x 5.74 x 4.45	6	FPBM36	FMP0806
8.26 x 3.19 x 3.63	3	FPB33	6.00 x 3.19 x 3.63	FPB23	9.73 x 7.73 x 3.98	9	FPBM39	FMP1008
10.51 x 3.19 x 3.63	4	FPB34	8.26 x 3.19 x 3.63	FPB24	9.73 x 7.73 x 3.98			
13.19 x 3.03 x 2.87	5	FPB35	10.51 x 3.19 x 3.63	FPB25	11.79 x 9.80 x 4.94			
16.75 x 3.03 x 2.87	6	FPB36	10.51 x 3.19 x 3.63	FPB26	11.79 x 9.80 x 4.94			
16.75 x 3.03 x 2.87	7	FPB37	13.19 x 3.03 x 2.87	FPB27	13.53 x 11.55 x 5.94			

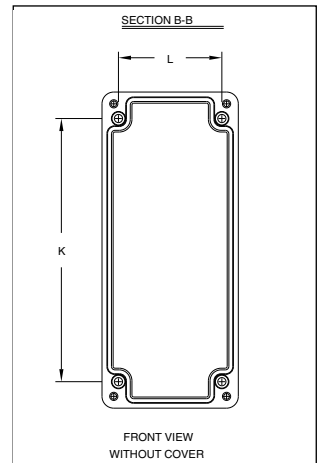
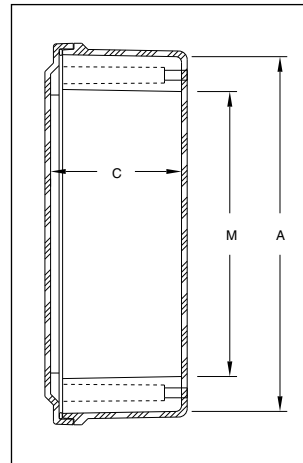
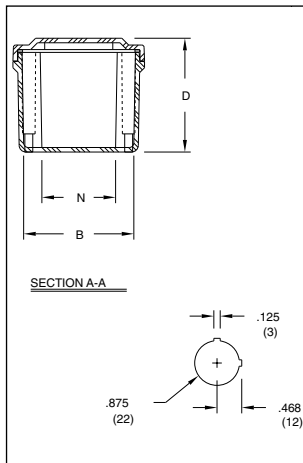
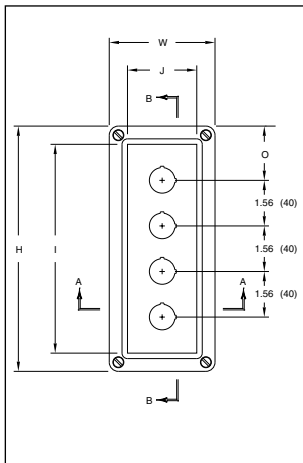
* Available in: Aluminum (SA), Fiberglass (FG), Carbon Steel (C), and Stainless Steel (SS)
To order, add the suffix to the end of the part number

Dimensional Drawings

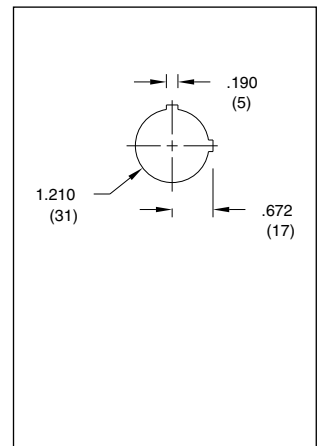
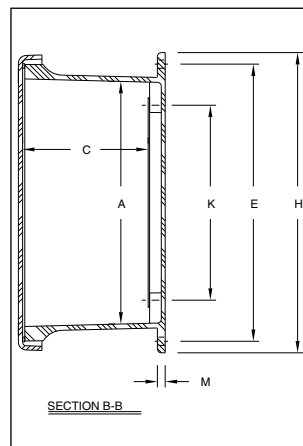
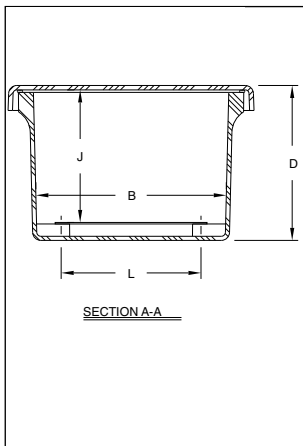
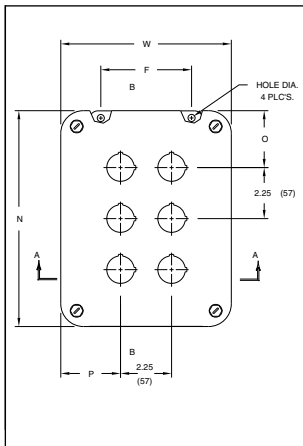
30mm



22mm



Multi-Hole



5E

5E Fiberglass Enclosures Pushbutton Series

30mm Pushbutton Series - Configuration Dimensions In Inches (mm)

Catalog Number	Overall H x W x D	Inside A x B x C	I	J	K	L	M	N	O	Weight
FPB31	6.63 x 3.81 x 3.89 (168 x 97 x 99)	6.00 x 3.19 x 3.63 (153 x 81 x 92)	5.31 (135)	2.5 (64)	4.88 (124)	2.94 (75)	4.13 (105)	2.19 (56)	3.31 (84)	2 lbs.
FPB32	6.63 x 3.81 x 3.89 (168 x 97 x 99)	6.00 x 3.19 x 3.63 (153 x 81 x 92)	5.31 (135)	2.5 (64)	4.88 (124)	2.94 (75)	4.13 (105)	2.19 (56)	2.19 (56)	2 lbs.
FPB33	8.88 x 3.81 x 3.89 (225 x 97 x 99)	8.26 x 3.19 x 3.63 (210 x 81 x 92)	7.56 (192)	2.5 (64)	7.13 (181)	2.94 (75)	6.38 (162)	2.19 (56)	2.19 (56)	2 lbs.
FPB34	11.13 x 3.81 x 3.89 (283 x 97 x 99)	10.51 x 3.19 x 3.63 (267 x 81 x 92)	9.81 (249)	2.5 (64)	9.37 (238)	2.94 (75)	8.63 (219)	2.19 (56)	2.19 (56)	2 lbs.
FPB35	13.78 x 3.63 x 3.14 (350 x 92 x 80)	13.19 x 3.03 x 2.87 (335 x 77 x 73)	12.53 (318)	2.38 (60)	12.37 (314)	2.75 (70)	11.66 (296)	2.03 (52)	2.39 (61)	2 lbs.
FPB36	17.35 x 3.63 x 3.14 (441 x 92 x 80)	16.75 x 3.03 x 2.87 (426 x 77 x 73)	16.1 (409)	2.38 (60)	15.94 (405)	2.75 (70)	15.22 (387)	2.03 (52)	3.05 (77)	3 lbs.
FPB37	17.35 x 3.63 x 3.14 (441 x 92 x 80)	16.75 x 3.03 x 2.87 (426 x 77 x 73)	16.1 (409)	2.38 (60)	15.94 (405)	2.75 (70)	15.22 (387)	2.03 (52)	1.92 (49)	3 lbs.

22mm Pushbutton Series - Configuration Dimensions In Inches (mm)

Catalog Number	Overall H x W x D	Inside A x B x C	I	J	K	L	M	N	O	Weight
FPB21	6.63 x 3.81 x 3.89 (168 x 97 x 99)	6.00 x 3.19 x 3.63 (153 x 81 x 92)	5.31 (135)	2.5 (64)	4.88 (124)	2.94 (75)	4.13 (105)	2.19 (56)	3.31 (84)	2 lbs.
FPB22	6.63 x 3.81 x 3.89 (168 x 97 x 99)	6.00 x 3.19 x 3.63 (153 x 81 x 92)	5.31 (135)	2.5 (64)	4.88 (124)	2.94 (75)	4.13 (105)	2.19 (56)	2.53 (64)	2 lbs.
FPB23	6.63 x 3.81 x 3.89 (168 x 97 x 99)	6.00 x 3.19 x 3.63 (153 x 81 x 92)	5.31 (135)	2.5 (64)	4.88 (124)	2.94 (75)	4.13 (105)	2.19 (56)	1.75 (44)	2 lbs.
FPB24	8.88 x 3.81 x 3.89 (225 x 97 x 99)	8.26 x 3.19 x 3.63 (210 x 81 x 92)	7.56 (192)	2.5 (64)	7.13 (181)	2.94 (75)	6.38 (162)	2.19 (56)	2.09 (53)	2 lbs.
FPB25	11.13 x 3.81 x 3.89 (283 x 97 x 99)	10.51 x 3.19 x 3.63 (267 x 81 x 92)	9.81 (249)	2.5 (64)	9.37 (238)	2.94 (75)	8.63 (219)	2.19 (56)	2.44 (62)	2 lbs.
FPB26	11.13 x 3.81 x 3.89 (283 x 97 x 99)	10.51 x 3.19 x 3.63 (267 x 81 x 92)	9.81 (249)	2.5 (64)	9.37 (238)	2.94 (75)	8.63 (219)	2.19 (56)	1.66 (42)	3 lbs.
FPB27	13.78 x 3.63 x 3.14 (350 x 92 x 80)	13.19 x 3.03 x 2.87 (335 x 77 x 73)	12.53 (318)	2.38 (60)	12.37 (314)	2.75 (70)	11.66 (296)	2.03 (52)	2.20 (56)	3 lbs.

Multi-Hole Pushbutton Series - Configuration Dimensions In Inches (mm)

Catalog Number	Overall H x W x D	Inside A x B x C	Mounting E x F	J	K	L	M	N	O	P	Hole Dia.	Weight
FPBM34	7.50 x 7.50 x 4.75 (191 x 191 x 121)	5.72 x 5.72 x 4.45 (145 x 145 x 113)	6.75 x 4 (171 x 101)	4 (101)	4.25 (108)	4.25 (108)	0.25 (6)	7.52 (191)	2.64 (67)	2.64 (67)	0.31 (8)	2.75 lbs.
FPBM36	9.62 x 7.50 x 4.74 (244 x 191 x 121)	7.73 x 5.74 x 4.45 (196 x 146 x 113)	8.88 x 4 (225 x 101)	4 (101)	6.25 (159)	4.25 (108)	0.25 (6)	9.5 (242)	2.64 (67)	2.51 (64)	0.31 (8)	3.5 lbs.
FPBM39	11.62 x 9.41 x 4.25 (295 x 239 x 108)	9.73 x 7.73 x 3.98 (247 x 196 x 101)	10.75 x 6 (273 x 152)	3.5 (89)	8.25 (209)	6.25 (159)	0.25 (6)	11.35 (288)	3.43 (87)	2.45 (62)	0.31 (8)	5 lbs.