

## Applications:

EJBA enclosures are used:

- As a terminal box or bus bar system
- As junction boxes with terminals
- To enclose equipment and control devices, relays, contactors and/or instruments
- To house custom-built panels

## Features:

- External flange with machined joint cover opening provides maximum opening for pulling cables or mounting equipment
- Body walls have sufficient thickness to allow for drilled and tapped entries
- Special one piece hollow neoprene gasket designed to fully compress to ensure metal to metal contact of cover and body for explosionproof integrity while giving an IP66 weatherproof seal to AS1939
- The sealing gasket is placed inward from the cover bolt holes, to prevent ingress of any moisture
- Hinges provide convenient and easy access for inspection, maintenance, and systems changes; integral cast hinges are fitted as standard on EJBA464, EJBA783, and EJBA786; aluminum hinges are also provided as standard on EJBA211710 up to EJBA361810; optional stainless steel hinges are available for sizes EJBA886 up to EJBA161608
- Entries can be drilled and tapped to customer requirements

## Certifications and Compliances:

### Type of Protection

- Exd

### Degree of Protection

- IP66

### Gas Group

- IIB or IIB + H2

### Approvals

- ANZEx 06.3018X

## Standard Materials:

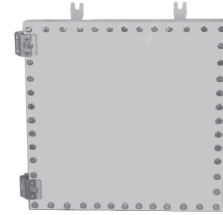
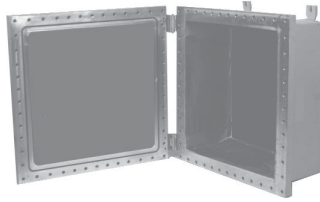
- Body and cover - cast copper-free aluminum

## Standard Finish:

- EJBA2424, 2418, 211710 cover corrosion resistant grey polyurethane; remainder natural

## Options:

- Grey polyurethane finish
- Captive cover screws
- Marine grade paint



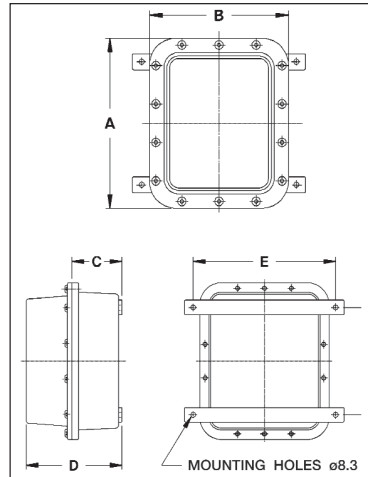
## Ordering Information:

### Nominal inside dimensions (mm):

Cat. #	Width	Height	Depth	Gas Group	Mounting Plate
<b>EJBA464</b>	150	100	100	IIB	<b>MP0406</b>
<b>EJBA783</b>	200	170	70	IIB or IIC (H2)	<b>MP0708</b>
<b>EJBA786</b>	200	170	140	IIB or IIC (H2)	<b>MP0708</b>
<b>EJBA886</b>	200	200	150	IIB or IIC (H2)	<b>MP0808</b>
<b>EJBA1286</b>	200	300	150	IIB or IIC (H2)	<b>MP1208</b>
<b>EJBA9166</b>	228	400	150	IIB or IIC (H2)	<b>MP0916</b>
<b>EJBA121208</b>	300	300	200	IIB or IIC (H2)	<b>MP1212</b>
<b>EJBA161608</b>	400	400	200	IIB or IIC (H2)	<b>MP1616</b>
<b>EJBA211710</b>	440	545	255	IIB or IIC (H2)	<b>MP2117</b>
<b>EJBA241810</b>	450	600	255	IIB or IIC (H2)	<b>MP2418</b>
<b>EJBA242410</b>	600	600	255	IIB or IIC (H2)	<b>MP2424</b>

Note: All drilling and tapping of entries must be carried out by the manufacturer to ensure that certification requirements are not breached. While mounting of devices such as relays, etc. can be carried out in the future if the enclosure is provided with a mounting plate, care should be taken with devices which are likely to raise the surface temperature of the enclosure.

## Dimensions In Millimeters:



## Dimensional Data:

Cat. #	A	B	C	D	E	F	Mtg. Screws
<b>EJBA464</b>	215	165	122	135	145	150	M6
<b>EJBA783</b>	280	240	87	115	230	192	M8
<b>EJBA786</b>	280	240	87	170	230	192	M8
<b>EJBA886</b>	280	280	180	230	140	280	M8
<b>EJBA1286</b>	280	380	175	225	168	305	M12
<b>EJBA9166</b>	305	485	175	225	242	325	M12
<b>EJBA121208</b>	415	415	230	285	143	395	M6
<b>EJBA161608</b>	516	516	230	285	242	505	M8
<b>EJBA211710</b>	654	545	323	355	300	610	M8
<b>EJBA241810</b>	595	750	295	350	413	556	M8
<b>EJBA242410</b>	750	750	295	350	413	708	M12