

## Applications:

- Marine and watertight requirements

## Features:

- Surface mounted round junction boxes
- Heavy wall construction
- Cast marine brass or copper-free aluminum construction
- One-piece gasket provides a watertight seal
- Two heavy duty mounting pads
- Suitable for field drilling and tapping
- Internal grounding lug with cup washer for stranded wiring

## Certifications and compliances:

- Conforms to IP66
- ABS

## Standard materials:

- Box and cover – cast marine brass with half hard yellow brass cover or copper-free aluminum with Type 5052H32 aluminum cover (see listings)
- Hardware – stainless steel
- Gasket – one-piece neoprene (504 and 518 models only) or one-piece silicone (527 and 545 models only)

## Technical specifications:

- Entries – standard units undrilled; up to 1 1/2" NPT

## Mounting option:

- Surface mount, via two mounting bolts (not included); 1/4" maximum for 504 and 518 models, and 3/16" maximum for 527 and 545 models



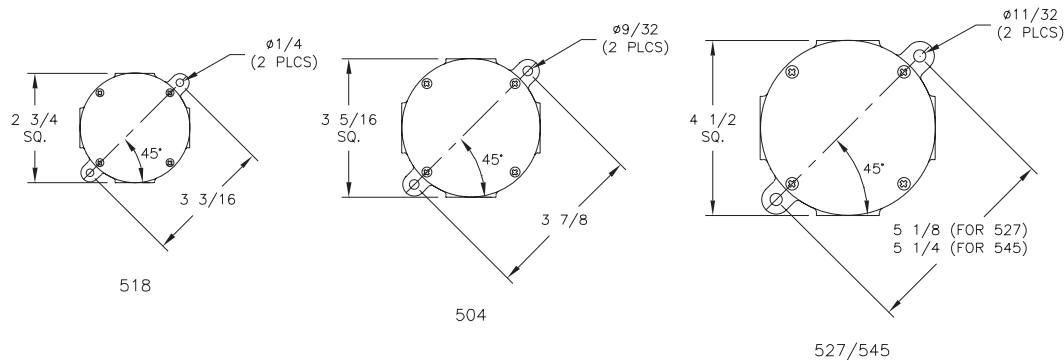
## Entry options:

Models	NPT trade size	Dead end	Through feed	90°	X positions
504/518/527/545	1/2"	E1	C1	L1	X1
504/527/545	3/4"	E2	C2	L2	X2
527/545	1"	E3	C3	L3	X3
545	1 1/2"	E5	C5	L5	X5

## Ordering information:

Cat. #	Dimensions	Material	Weight (lbs.)
504B	3" Ø x 1 1/2"	Marine brass	1.8
518B	2 1/2" Ø x 1 1/2"	Marine brass	1.3
527B	4" Ø x 2"	Marine brass	3.5
545B	4" Ø x 3"	Marine brass	5.3
504A	3" Ø x 1 1/2"	Aluminum	0.7
527A	4" Ø x 2"	Aluminum	1.4
545A	4" Ø x 3"	Aluminum	2.2

## Dimensions (in inches):



## Applications:

- Marine and watertight requirements
- Oil and gas exploration and production

## Features:

- Surface mounted round terminal boxes
- Heavy wall construction
- Cast marine brass construction
- Neoprene gasket resists petroleum and provides a watertight seal
- Two heavy duty mounting pads
- Choice of threaded or flat cover design
- Suitable for field drilling and tapping
- Internal grounding lug with cup washer for stranded wiring

## Certifications and compliances:

- Conforms to IP66
- ABS

## Standard materials:

- Housing – cast marine brass or copper-free aluminum (see listings)
- Cover – cast marine brass or copper-free aluminum (562 models only); half hard yellow brass or copper-free aluminum (571 models only)
- Hardware – stainless steel
- Gasket – one-piece neoprene

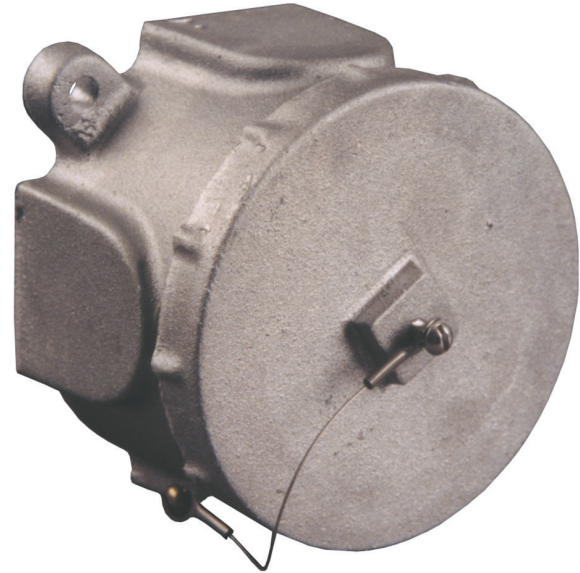
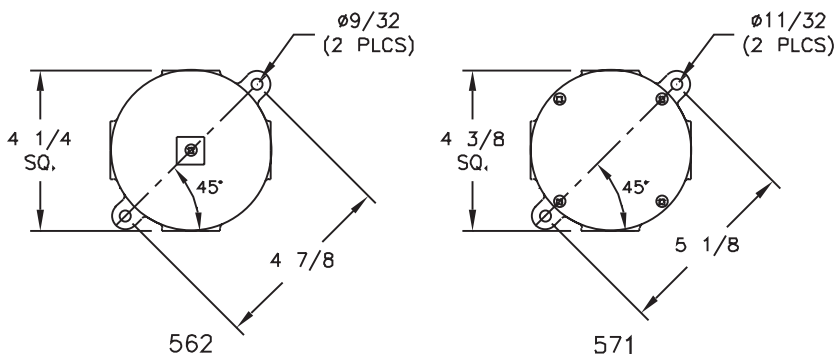
## Technical specifications:

- Entries – standard units undrilled; up to four 1/2" NPT outlets available
- Terminal block – wire binding screw type:
  - 20 amperes, 4- or 6-pole, #12 - #22 AWG
  - 30 amperes, 4- or 6-pole, #10 AWG using lugs
- Voltage – rated to 300V maximum selections

## Mounting option:

- Surface mount, via two mounting bolts (not included); 1/4" maximum for 562 models, and 3/16" maximum for 571 models

## Dimensions (in inches):



## Entry options:

NPT trade size	Dead end	Through feed	90°	X positions
1/2"	E1	C1	L1	X1
3/4"	E2	C3	L3	X3
1"	E3	C3	L3	X3

## Ordering information:

Cat. #	Description	Material	Depth	Weight (lbs.)
562BT4	With 4-pole term. block	Marine brass	2 3/8"	3.8
562BT6	With 6-pole term. block	Marine brass	2 3/8"	3.8
571BT4	Flat cover with 4-pole term. block	Marine brass	2"	3.8
571BT6	With 6-pole term. block	Marine brass	2"	3.8
562AT4	With 4-pole term. block	Aluminum	2 3/8"	1.5
562AT6	With 6-pole term. block	Aluminum	2 3/8"	1.5
571AT4	Flat cover with 4-pole term. block	Aluminum	2"	1.5
571AT6	With 6-pole term. block	Aluminum	2"	1.5