

Type 4 Panel Enclosures

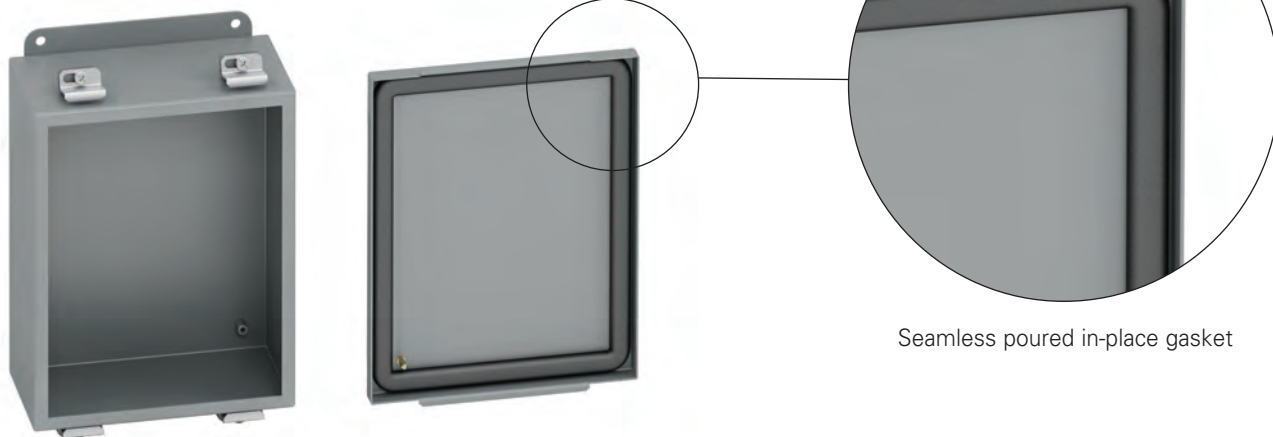


Type 4 Panel Enclosures

- JIC Enclosures Type 4 Lift-Off Cover 136-137
- JIC Enclosures Type 4 Continuous Hinge Cover 138-139
- JIC Enclosures Type 4 JIC Continuous Hinge Cover Quarter-Turn Latches 140-141
- Wall-Mount Enclosures Type 4 Single-Door 142-144
- Wall-Mount Enclosures Type 4 Premier™ Series Quarter-Turn Latches 145-149
- Wall-Mount Enclosures Type 4 Premier™ Series Flush-Mount Quarter-Turn Latches 150-151
- Wall-Mount Enclosures Type 12 Premier™ Series Double-Door Quarter-Turn Latches 152-153
- Premier™ Series Accessories 154-159
- Wall-Mount Enclosures Type 4 Single-Door 3-Point Locking 160-161
- Wall-Mount Enclosures Type 4 Double-Door 3-Point Locking 162-163
- Floor-Mounted Enclosures Type 4 Double-Door Floor-Standing 164-165
- Floor-Mounted Enclosures Type 4 Double-Door Floor-Standing Quarter-Turn Latches 166-167
- Ground-Mount Enclosures Type 4 Double-Door Floor-Standing 3-Point Locking 168-169
- Ground-Mount Enclosures Type 4 Free-Standing 170-171
- Ground-Mount Enclosures Type 4 Free-Standing Quarter-Turn Latches 172-173
- Ground-Mount Enclosures Type 4 Single-Door Free-Standing 3-Point Locking 174-175
- Ground-Mount Enclosures Type 4 Single-Door Dual-Access Free-Standing 3-Point Locking 176-177
- Ground-Mount Enclosures Type 4 EnviroShield™ Free-Standing 3-Point Locking 178-179
- Free-Standing Enclosure Accessories 180-191

Type 4 Panel Enclosures

JIC Enclosures Type 4 Lift-Off Cover Data Sheet



Application

- Houses electrical controls and instruments
- Intended for indoor or outdoor use
- Protects against windblown dust and rain, splashing water and hose directed water

Standards

- UL 508A listed, Type 4, Type 12 and Type 13
- CSA C22.2 No.94 certified, Type 4, Type 12 and Type 13
- Conforms to NEMA standard for Type 4, Type 12 and Type 13

Finish

- Wash and phosphate undercoat
- ANSI 61 gray polyester powder finish

Accessories

- Panels
- JIC terminal strap kit
- JIC terminal strip kit
- Terminal blocks
- Touch-up paint
- See Accessories section

Construction

- Enclosure and cover are fabricated from (16) gauge steel
- All continuous welded seams are finished smooth
- Cover is secured to the body with easy to operate stainless steel screw clamps mounted on all four sides
- Cover has a seamless poured in-place gasket
- Ground stud provided on cover
- #10-32 weldnuts are provided for mounting optional panel on 6" x 4" and larger enclosures
- External mounting feet are provided for secure wall mounting

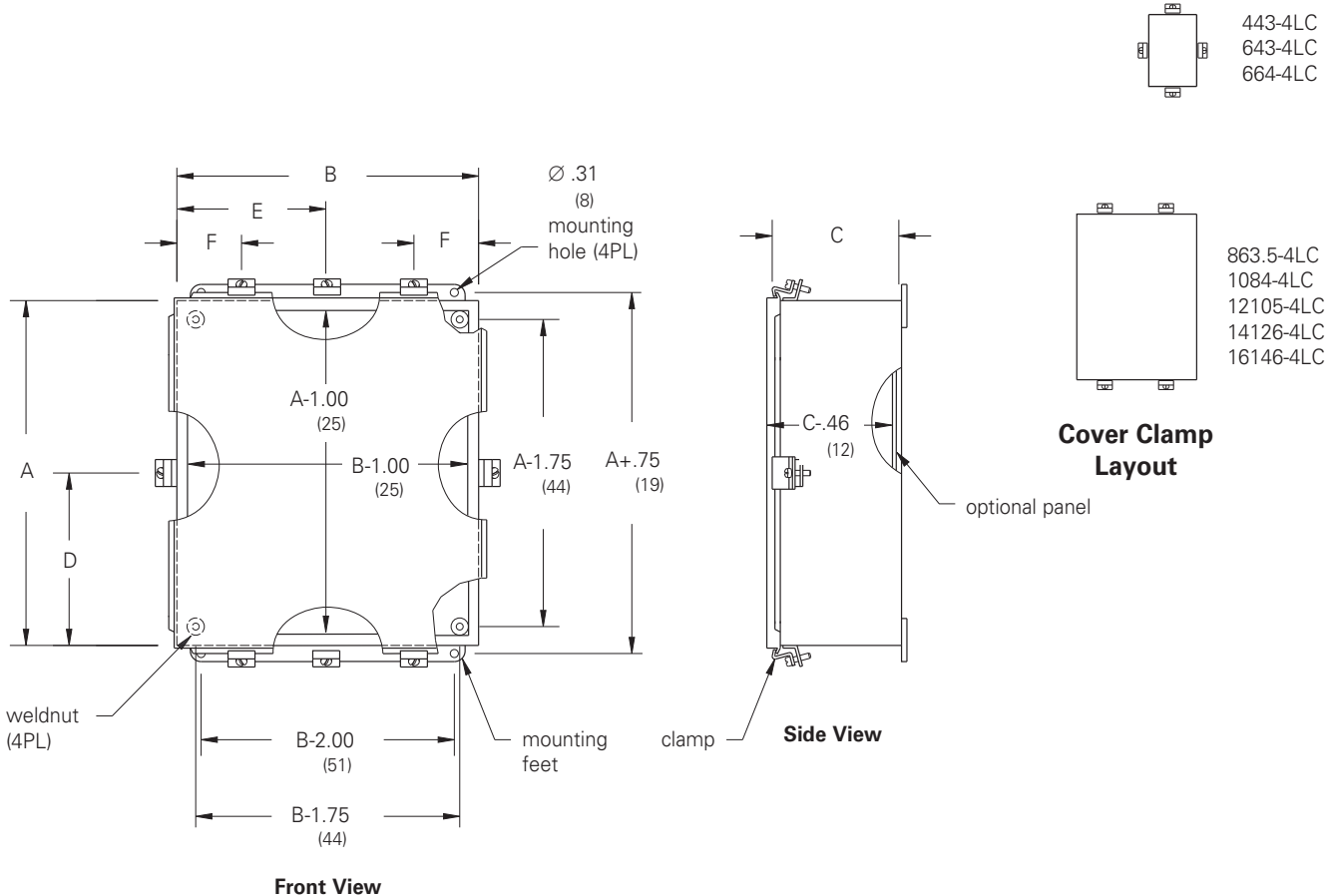
Discount Schedule: C2

Subclass: DCO

Notes: We can provide special sizes, finishes and other modifications. Consult the factory for your special requirements.

JIC Enclosures Type 4 Lift-Off Cover Illustration Sheet and Catalog Number

Enclosure Catalog Number	Enclosure Size Height x Width x Depth A x B x C		D		E		F		Panel Catalog Number		Panel Size Height x Width	
	in.	mm	in.	mm	in.	mm	in.	mm	Painted	Conductive	in.	mm
443-4LC	4.00 x 4.00 x 3.00	102 x 102 x 76	2.00	51	2.00	51	-	-	-	-	-	-
643-4LC	6.00 x 4.00 x 3.00	152 x 102 x 76	3.00	76	2.00	51	-	-	AW64P	AW64GP	4.87 x 2.87	124 x 73
863.5-4LC	8.00 x 6.00 x 3.50	203 x 152 x 89	-	-	-	-	2.00	51	AW86P	AW86GP	6.87 x 4.87	174 x 124
664-4LC	6.00 x 6.00 x 4.00	152 x 152 x 102	3.00	76	3.00	76	-	-	AW66P	AW66GP	4.87 x 4.87	124 x 124
1084-4LC	10.00 x 8.00 x 4.00	254 x 203 x 102	-	-	-	-	2.00	51	AW108P	AW108GP	8.87 x 6.87	225 x 174
12105-4LC	12.00 x 10.00 x 5.00	305 x 254 x 127	-	-	-	-	3.00	76	AW1210P	AW1210GP	10.87 x 8.87	276 x 225
14126-4LC	14.00 x 12.00 x 6.00	356 x 305 x 152	-	-	-	-	3.00	76	AW1412P	AW1412GP	12.87 x 10.87	327 x 276
16146-4LC	16.00 x 14.00 x 6.00	406 x 356 x 152	-	-	-	-	3.00	76	AW1614P	AW1614GP	14.87 x 12.87	378 x 327

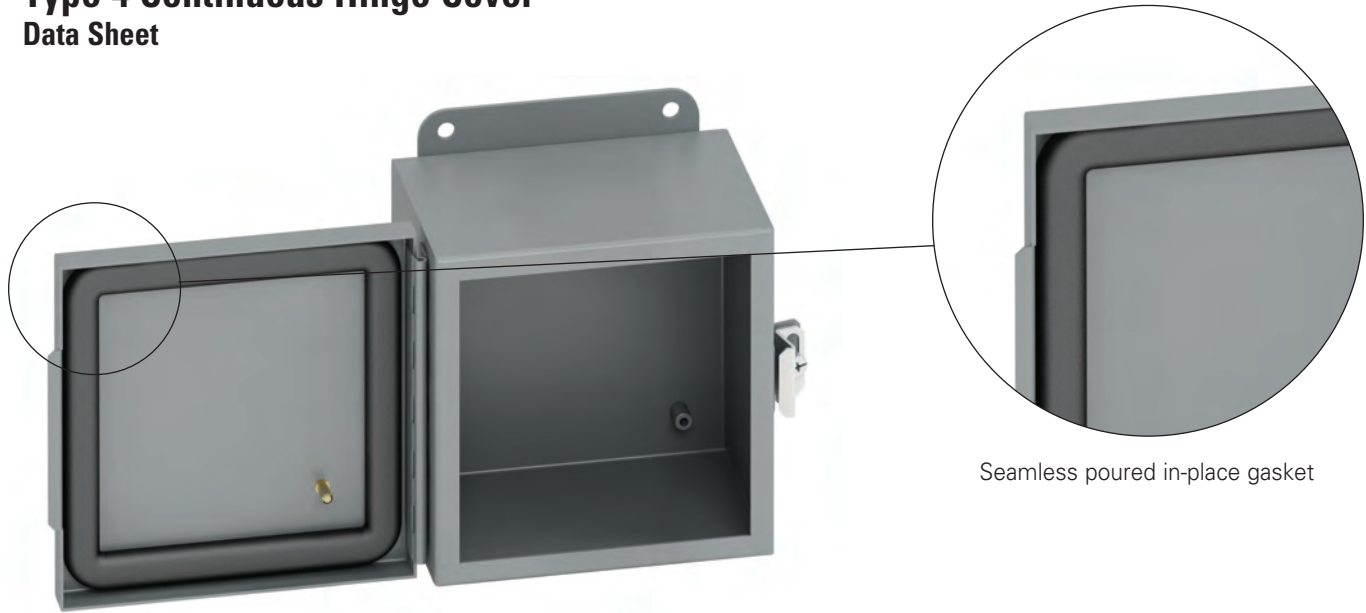


Notes: Dimensions are in inches. Millimeters shown are for reference only. Data subject to change without notice.

Type 4 Panel Enclosures

Type 4 Panel Enclosures

JIC Enclosures Type 4 Continuous Hinge Cover Data Sheet



Seamless poured in-place gasket

Application

- Houses electrical controls and instruments
- Intended for indoor or outdoor use
- Protects against windblown dust and rain, splashing water and hose directed water

Standards

- UL 508A listed, Type 4, Type 12 and Type 13
- CSA C22.2 No.94 certified, Type 4, Type 12 and Type 13
- Conforms to NEMA standard for Type 4, Type 12 and Type 13

Finish

- Wash and phosphate undercoat
- ANSI 61 gray polyester powder finish

Accessories

- Panels
- JIC terminal strap kit
- JIC terminal strip kit
- Terminal blocks
- Touch-up paint
- See Accessories section

Construction

- Enclosure and cover are fabricated from (16) gauge steel
- All continuous welded seams are finished smooth
- Cover is secured to the body with a continuous hinge on one side and easy-to-operate stainless steel screw clamps mounted to the opposite side
- Stainless steel hinge pin
- Cover has a seamless poured in-place gasket
- Ground stud provided on cover
- #10-32 weldnuts are provided for mounting optional panel on 6" x 4" and larger enclosures
- External mounting feet are provided for secure wall mounting

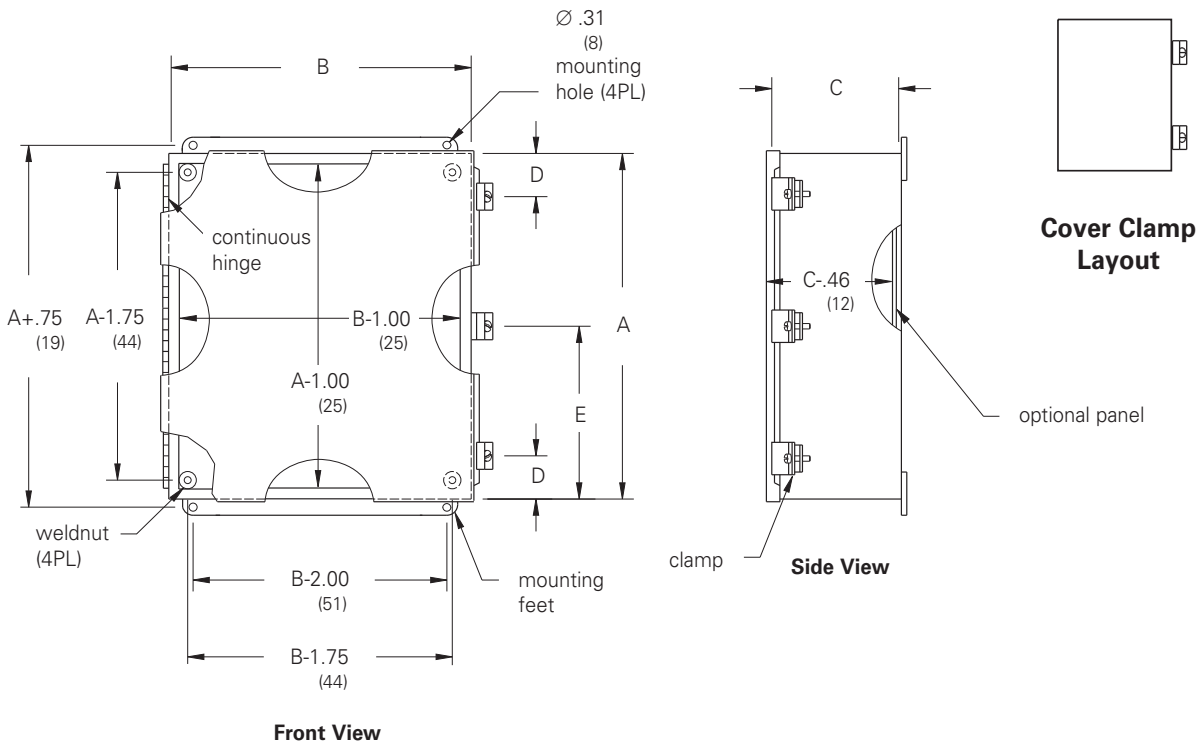
Discount Schedule: C2

Subclass: DC0

Notes: We can provide special sizes, finishes and other modifications. Consult the factory for your special requirements.

JIC Enclosures Type 4 Continuous Hinge Cover Illustration Sheet and Catalog Number

Enclosure Catalog Number	Enclosure Size Height x Width x Depth A x B x C		D		E		Panel Catalog Number		Panel Size Height x Width	
	in.	mm	in.	mm	in.	mm	Steel	Conductive	in.	mm
443-4CHC	4.00 x 4.00 x 3.00	102 x 102 x 76	-	-	2.00	51	-	-	-	-
643-4CHC	6.00 x 4.00 x 3.00	152 x 102 x 76	-	-	3.00	76	AW64P	AW66GP	4.87 x 2.87	124 x 73
863.5-4CHC	8.00 x 6.00 x 3.50	203 x 152 x 89	2.00	51	-	-	AW86P	AW86GP	6.87 x 4.87	174 x 124
644-4CHC	6.00 x 4.00 x 4.00	152 x 102 x 102	-	-	3.00	76	AW64P	AW64GP	4.87 x 2.87	124 x 73
664-4CHC	6.00 x 6.00 x 4.00	152 x 152 x 102	-	-	3.00	76	AW66P	AW66GP	4.87 x 4.87	124 x 124
1084-4CHC	10.00 x 8.00 x 4.00	254 x 203 x 102	2.00	51	-	-	AW108P	AW108GP	8.87 x 6.87	225 x 174
12105-4CHC	12.00 x 10.00 x 5.00	305 x 254 x 127	3.00	76	-	-	AW1210P	AW1210GP	10.87 x 8.87	276 x 225
1086-4CHC	10.00 x 8.00 x 6.00	254 x 203 x 152	2.00	51	-	-	AW108P	AW108GP	8.87 x 6.87	225 x 174
12126-4CHC	12.00 x 12.00 x 6.00	305 x 305 x 152	3.00	76	-	-	AW1212P	AW1212GP	10.87 x 10.87	276 x 276
14126-4CHC	14.00 x 12.00 x 6.00	356 x 305 x 152	3.00	76	-	-	AW1412P	AW1412GP	12.87 x 10.87	327 x 276
16146-4CHC	16.00 x 14.00 x 6.00	406 x 356 x 152	3.00	76	-	-	AW1614P	AW1614GP	14.87 x 12.87	378 x 327



443-4CHC
643-4CHC
644-4CHC
664-4CHC

863.5-4CHC
1084-4CHC
1086-4CHC
12105-4CHC
12126-4CHC
14126-4CHC
16146-4CHC

Type 4 Panel Enclosures

Notes: Dimensions are in inches. Millimeters shown are for reference only. Data subject to change without notice.

Type 4 Panel Enclosures

JIC Enclosures

Type 4 Continuous Hinge Cover with Quarter-Turn Latches

Data and Illustration Sheet



Application

- Houses electrical controls and instruments
- Intended for indoor or outdoor use
- Protects against windblown dust and rain, splashing water and hose directed water

Standards

- UL 508A Listed, Type 4, 12
- CSA C22.2 No.94 certified, Type 4, 12
- Conforms to NEMA Standards for Type 3, 4, 12

Finish

- Wash and phosphate undercoat
- ANSI 61 gray polyester powder finish

Accessories

- Panels
- Swing-out panel kits
- JIC terminal kits
- Window kits
- Locks and latches

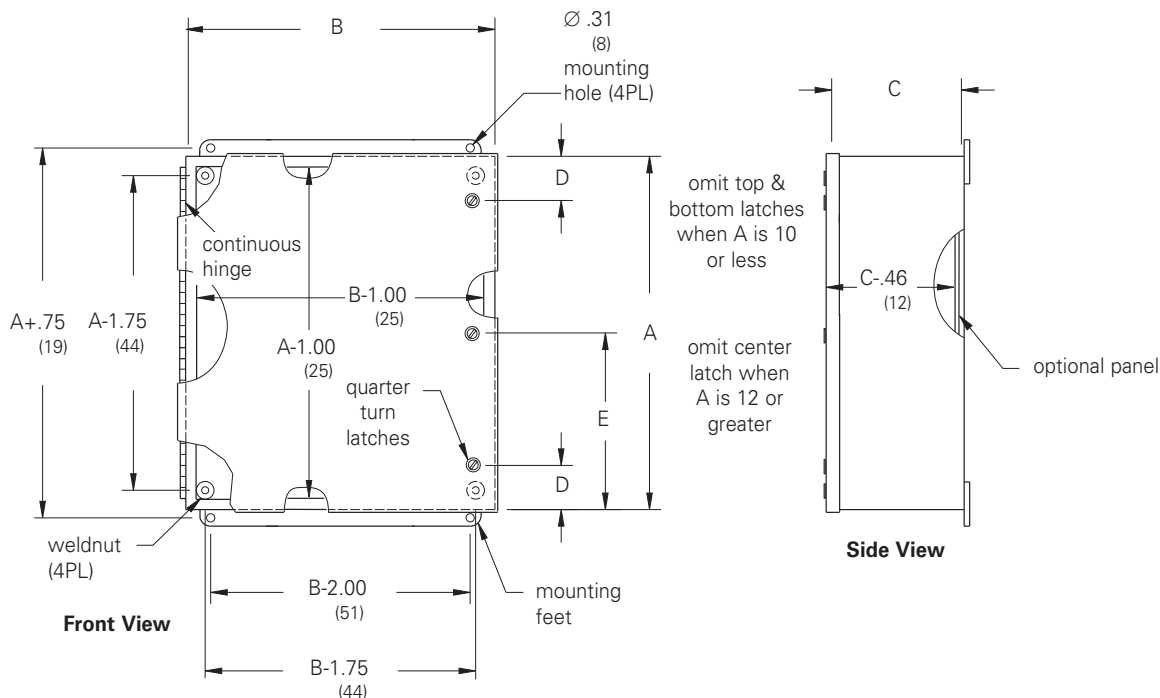
Construction

- Enclosure and cover are fabricated from (16) Gauge Steel
- All continuous welded seams are finished smooth
- Continuous hinge with stainless steel hinge pin
- Slotted quarter-turn flush latch(es)
- Cover has a seamless poured in-place gasket
- Ground stud provided on cover
- #10-32 weldnuts are provided for mounting optional panel on 6" x 4" and larger enclosures
- External mounting feet

Discount Schedule: C2

Subclass: DC1

Type 4 Panel Enclosures



Notes: We can provide special sizes, finishes and other modifications. Consult the factory for your special requirements.

JIC Enclosures Type 4 Continuous Hinge Cover with Quarter-Turn Latches Illustration Sheet and Catalog Number

Enclosure Catalog Number	Enclosure Size Height x Width x Depth A x B x C		D		E		Panel Catalog Number	Conductive Catalog Number	Panel Size Panel Height x Width	
	in.	mm	in.	mm	in.	mm			in.	mm
443-4QT	4 x 4 x 3	101 x 101 x 76	-	-	2	51	-	-	-	-
643-4QT	6 x 4 x 3	152 x 101 x 76	-	-	3	76	AW64P	AW64GP	4.87 x 2.87	123 x 73
863.5-4QT	8 x 6 x 3.5	203 x 152 x 89	-	-	4	101	AW86P	AW86GP	6.87 x 4.87	174 x 123
864-4QT	8 x 6 x 4	203 x 152 x 101	-	-	4	101	AW86P	AW86GP	6.87 x 4.87	174 x 123
444-4QT	4 x 4 x 4	101 x 101 x 101	-	-	2	51	-	-	-	-
644-4QT	6 x 4 x 4	152 x 101 x 101	-	-	3	76	AW64P	AW64GP	4.87 x 2.87	123 x 73
664-4QT	6 x 6 x 4	152 x 152 x 101	-	-	3	76	AW66P	AW66GP	4.87 x 4.87	123 x 123
884-4QT	8 x 8 x 4	203 x 203 x 101	-	-	4	101	AW88P	AW88GP	6.87 x 6.87	174 x 174
1084-4QT	10 x 8 x 4	254 x 203 x 101	-	-	5	127	AW108P	AW108GP	8.87 x 6.87	225 x 174
1264-4QT	12 x 6 x 4	305 x 152 x 101	3	76	-	-	AW126P	-	10.87 x 4.87	276 x 123
12105-4QT	12 x 10 x 5	305 x 254 x 127	3	76	-	-	AW1210P	AW1210GP	10.87 x 8.87	276 x 225
866-4QT	8 x 6 x 6	203 x 152 x 152	-	-	4	101	AW86P	AW86GP	6.87 x 4.87	174 x 123
886-4QT	8 x 8 x 6	203 x 203 x 152	-	-	4	101	AW88P	AW88GP	6.87 x 6.87	174 x 174
1086-4QT	10 x 8 x 6	254 x 203 x 152	-	-	5	127	AW108P	AW108GP	8.87 x 6.87	225 x 174
10106-4QT	10 x 10 x 6	254 x 254 x 152	-	-	5	127	AW1010P	AW1010GP	8.87 x 8.87	225 x 225
12106-4QT	12 x 10 x 6	305 x 254 x 152	3	76	-	-	AW1210P	AW1210GP	10.87 x 8.87	276 x 225
12126-4QT	12 x 12 x 6	305 x 305 x 152	3	76	-	-	AW1212P	AW1212GP	10.87 x 10.87	276 x 276
1486-4QT	14 x 8 x 6	355 x 203 x 152	3	76	-	-	AW148P	-	12.87 x 6.87	327 x 174
14126-4QT	14 x 12 x 6	355 x 305 x 152	3	76	-	-	AW1412P	AW1412GP	12.87 x 10.87	327 x 276
16106-4QT	16 x 10 x 6	406 x 254 x 152	3	76	-	-	AW1610P	-	14.87 x 8.87	377 x 225
16146-4QT	16 x 14 x 6	406 x 355 x 152	3	76	-	-	AW1614P	AW1614GP	14.87 x 12.87	377 x 327
12108-4QT	12 x 10 x 8	305 x 254 x 203	3	76	-	-	AW1210P	AW1210GP	10.87 x 8.87	276 x 225
14128-4QT	14 x 12 x 8	355 x 305 x 203	3	76	-	-	AW1412P	AW1412GP	12.87 x 10.87	327 x 276
16148-4QT	16 x 14 x 8	406 x 355 x 203	3	76	-	-	AW1614P	AW1614GP	14.87 x 12.87	377 x 327
161410-4QT	16 x 14 x 10	406 x 355 x 254	3	76	-	-	AW1614P	AW1614GP	14.87 x 12.87	377 x 327

Type 4 Panel Enclosures

Quarter-Turn Latch Layout



- 443-4QT
- 643-4QT
- 863.5-4QT
- 864-4QT
- 444-4QT
- 644-4QT
- 664-4QT
- 884-4QT
- 886-4QT
- 1084-4QT
- 1086-4QT
- 10106-4QT



- 1264-4QT
- 12105-4QT
- 12106-4QT
- 12126-4QT
- 1486-4QT
- 14126-4QT
- 16106-4QT
- 16146-4QT
- 12108-4QT
- 14128-4QT
- 16148-4QT
- 161410-4QT

Notes: Dimensions are in inches. Millimeters shown are for reference only. Data subject to change without notice.

Type 4 Panel Enclosures

Wall-Mount Enclosures Type 4 Single-Door Data Sheet



Application

- Houses electrical controls and instruments
- Intended for indoor or outdoor use
- Protects against windblown dust and rain, splashing water and hose directed water

Standards

- UL 508A listed, Type 4, Type 12 and Type 13
- CSA C22.2 No.94 certified, Type 4, Type 12 and Type 13
- Conforms to NEMA standard for Type 4, Type 12 and Type 13

Finish

- Wash and phosphate undercoat
- ANSI 61 gray polyester powder finish

Accessories

- Panels
- NEMA terminal strap kit
- Terminal blocks
- Door lock kit
- Floor stand kit
- Touch-up paint
- See Accessories section

Construction

- Enclosure and door are fabricated from code gauge steel, (see table, page 144)
- All continuous welded seams are finished smooth
- Doors are secured to the body with a heavy-duty continuous hinge on one side and easy-to-release stainless steel door clamps mounted to the other three sides
- Ground stud provided on door and body
- Formed lip around enclosure opening diverts liquids and contaminants
- Each door has a padlock hasp with sealing hole provision
- Print pocket provided
- Door has a seamless poured in-place gasket
- .375-16 collar studs are provided for mounting optional panel
- External mounting feet are provided for secure wall mounting

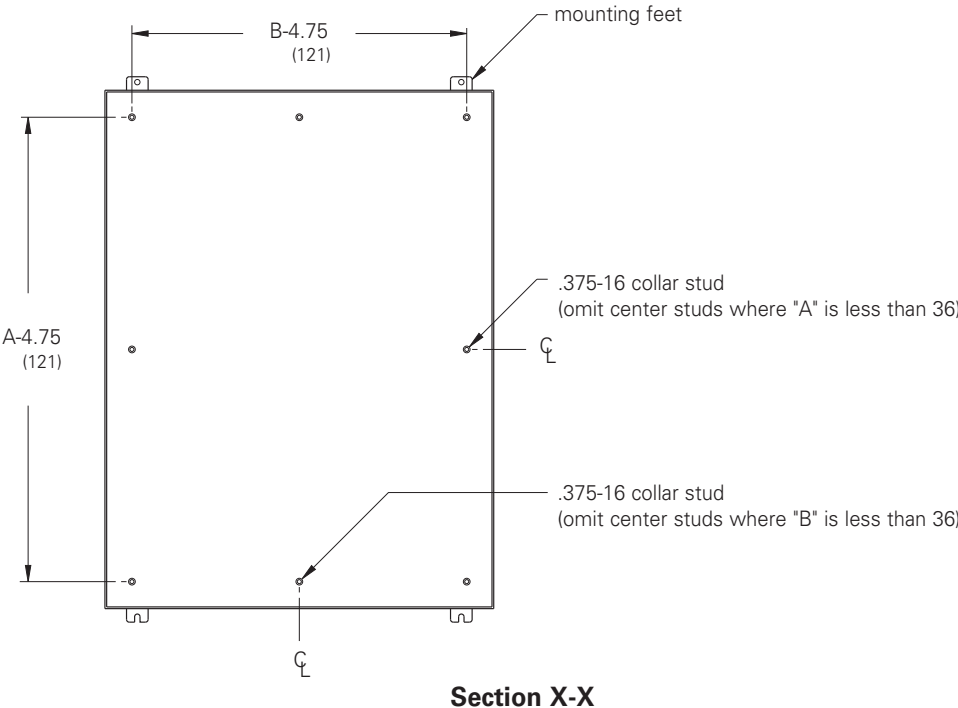
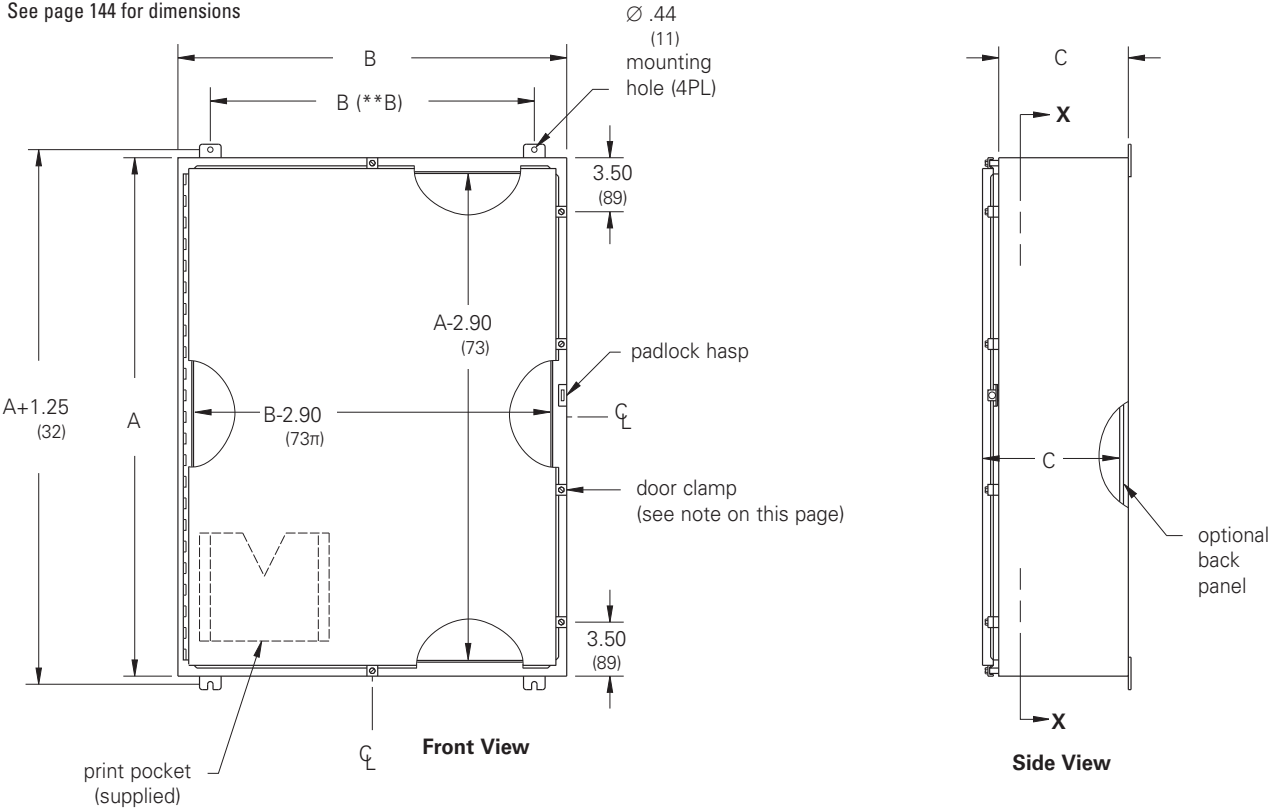
Discount Schedule: C2

Subclass: DF0

Notes: We can provide special sizes, finishes and other modifications. Consult the factory for your special requirements.

Wall-Mount Enclosures Type 4 Single-Door Illustration Sheet

See page 144 for dimensions



Notes: Dimensions: **B = (-2.50) if 12 inches wide; (-6.00) if wider than 12 inches. Clamps are mounted along three sides of the enclosure door. Spacing between clamps along side opposite the hinge does not exceed 15 inches. Dimensions are in inches. Millimeters shown are for reference only. Data subject to change without notice.

Type 4 Panel Enclosures

Type 4 Panel Enclosures

Wall-Mount Enclosures Type 4 Single-Door Catalog Number

Enclosure Catalog Number	Enclosure Size Height x Width x Depth		Gauge	Panel		Panel Size	
	A x B x C in.	mm		Painted	Conductive	Height x Width in.	mm
16126-4	16.00 x 12.00 x 6.00	406 x 305 x 152	16	AW1612P	AW1612GP	13.00 x 9.00	330 x 229
16166-4	16.00 x 16.00 x 6.00	406 x 406 x 152	16	AW1616P	AW1616GP	13.00 x 13.00	330 x 330
16206-4	16.00 x 20.00 x 6.00	406 x 508 x 152	16	AW2016P	AW2016GP	13.00 x 17.00	330 x 432
20166-4	20.00 x 16.00 x 6.00	508 x 406 x 152	16	AW2016P	AW2016GP	17.00 x 13.00	432 x 330
20206-4	20.00 x 20.00 x 6.00	508 x 508 x 152	16	AW2020P	AW2020GP	17.00 x 17.00	432 x 432
24126-4	24.00 x 12.00 x 6.00	610 x 305 x 152	16	AW2412P	--	21.00 x 9.00	533 x 229
24166-4	24.00 x 16.00 x 6.00	610 x 406 x 152	16	AW2416P	AW2416GP	21.00 x 13.00	533 x 330
24206-4	24.00 x 20.00 x 6.00	610 x 508 x 152	16	AW2420P	AW2420GP	20.87 x 16.87	530 x 428
24246-4	24.00 x 24.00 x 6.00	610 x 610 x 152	14	AW2424P	AW2424GP	20.87 x 20.87	530 x 530
30206-4	30.00 x 20.00 x 6.00	762 x 508 x 152	14	AW3020P	AW3020GP	26.87 x 16.87	682 x 428
30246-4	30.00 x 24.00 x 6.00	762 x 610 x 152	14	AW3024P	AW3024GP	26.87 x 20.87	682 x 530
36246-4	36.00 x 24.00 x 6.00	914 x 610 x 152	14	AW3624P	AW3624GP	32.87 x 20.87	835 x 530
16128-4	16.00 x 12.00 x 8.00	406 x 305 x 203	16	AW1612P	AW1612GP	13.00 x 9.00	330 x 229
20168-4	20.00 x 16.00 x 8.00	508 x 406 x 203	16	AW2016P	AW2016GP	17.00 x 13.00	432 x 330
20208-4	20.00 x 20.00 x 8.00	508 x 508 x 203	16	AW2020P	AW2020GP	17.00 x 17.00	432 x 432
20248-4	20.00 x 24.00 x 8.00	508 x 610 x 203	16	AW2420P	AW2420GP	16.87 x 20.87	428 x 530
24208-4	24.00 x 20.00 x 8.00	610 x 508 x 203	16	AW2420P	AW2420GP	20.87 x 16.87	530 x 428
24248-4	24.00 x 24.00 x 8.00	610 x 610 x 203	14	AW2424P	AW2424GP	20.87 x 20.87	530 x 530
24308-4	24.00 x 30.00 x 8.00	610 x 762 x 203	14	AW3024P	AW3024GP	20.87 x 26.87	530 x 682
30208-4	30.00 x 20.00 x 8.00	762 x 508 x 203	14	AW3020P	AW3020GP	26.87 x 16.87	682 x 428
30248-4	30.00 x 24.00 x 8.00	762 x 610 x 203	14	AW3024P	AW3024GP	26.87 x 20.87	682 x 530
30308-4	30.00 x 30.00 x 8.00	762 x 762 x 203	14	AW3030P	AW3030GP	26.87 x 26.87	682 x 682
36248-4	36.00 x 24.00 x 8.00	914 x 610 x 203	14	AW3624P	AW3624GP	32.87 x 20.87	835 x 530
36308-4	36.00 x 30.00 x 8.00	914 x 762 x 203	14	AW3630P	AW3630GP	32.87 x 26.87	835 x 682
42308-4	42.00 x 30.00 x 8.00	1067 x 762 x 203	14	AW4230P	AW4230GP	38.87 x 26.87	987 x 682
42368-4	42.00 x 36.00 x 8.00	1067 x 914 x 203	14	AW4236P	AW4236GP	38.87 x 32.87	987 x 835
48368-4	48.00 x 36.00 x 8.00	1219 x 914 x 203	14	AW4836P	AW4836GP	44.87 x 32.87	1140 x 835
60368-4	60.00 x 36.00 x 8.00	1524 x 914 x 203	14	AW6036P	AW6036GP	56.87 x 32.87	1444 x 835
201610-4	20.00 x 16.00 x 10.00	508 x 406 x 254	16	AW2016P	AW2016GP	17.00 x 13.00	432 x 330
242010-4	24.00 x 20.00 x 10.00	610 x 508 x 254	16	AW2420P	AW2420GP	20.87 x 16.87	530 x 428
302410-4	30.00 x 24.00 x 10.00	762 x 610 x 254	14	AW3024P	AW3024GP	26.87 x 20.87	682 x 530
363010-4	36.00 x 30.00 x 10.00	914 x 762 x 254	14	AW3630P	AW3630GP	32.87 x 26.87	835 x 682
483010-4	48.00 x 30.00 x 10.00	1219 x 762 x 254	14	AW4830P	AW4830GP	44.87 x 26.87	1140 x 682
483610-4	48.00 x 36.00 x 10.00	1219 x 914 x 254	14	AW4836P	AW4836GP	44.87 x 32.87	1140 x 835
603610-4	60.00 x 36.00 x 10.00	1524 x 914 x 254	14	AW6036P	AW6036GP	56.87 x 32.87	1444 x 835
302412-4	30.00 x 24.00 x 12.00	762 x 610 x 305	14	AW3024P	AW3024GP	26.87 x 20.87	682 x 530
363012-4	36.00 x 30.00 x 12.00	914 x 762 x 305	14	AW3630P	AW3630GP	32.87 x 26.87	835 x 682
483612-4	48.00 x 36.00 x 12.00	1219 x 914 x 305	14	AW4836P	AW4836GP	44.87 x 32.87	1140 x 835
363016-4	36.00 x 30.00 x 16.00	914 x 762 x 406	14	AW3630P	AW3630GP	32.87 x 26.87	835 x 682
483616-4	48.00 x 36.00 x 16.00	1219 x 914 x 406	14	AW4836P	AW4836GP	44.87 x 32.87	1140 x 835
603616-4	60.00 x 36.00 x 16.00	1524 x 914 x 406	14	AW6036P	AW6036GP	56.87 x 32.87	1444 x 835

See page 145 for drawings

Notes: Dimensions are in inches. Millimeters shown are for reference only. Data subject to change without notice.

Wall-Mount Enclosures Type 4 Premier™ Series with Quarter-Turn Latches Data Sheet and Catalog Number



Application

- Houses electrical controls and instruments
- Intended for indoor or outdoor use
- Protects against circulating and windblown dust, falling dirt, dripping non-corrosive liquids, rain, splashing water and hose directed water

Standards

- UL 508A Listed, Type 4 and Type 12
- cUL Listed, Type 4 and Type 12
- Conforms to NEMA standard for Type 4 and Type 12
- Wall-mounting brackets required to maintain UL/CSA external mounting requirements

Finish

- Wash and phosphate undercoat
- ANSI 61 gray polyester powder finish
- Available with RAL7035 Light Gray textured paint. To order add an "LG" to the end of the part number as shown in the tables (pages 146 - 149)

Discount Schedule: C2

Subclass: TC0

Accessories

- Premier panels
- Security latch inserts
- NEMA panel adapters
- Mounting foot kits
- Depth adjustment brackets
- EIA/TIA rack mounting angles
- Print pockets
- Swing-out panels
- Padlockable or keyed handles
- See Accessories section, pages 154-159

Construction

- Enclosure and door are fabricated from code gauge steel (see tables, pages 146 - 149)
- All continuous welded seams are finished smooth
- Hardware kit provided contains grounding hardware, .312-18 flanged hex nuts for panel mounting, and sealing washers for body mounting holes

Body Construction

- Body flange trough design is formed around body opening to divert liquid contaminants away from door opening
- Reduced width flange design increases enclosure opening
- Ground stud provided on enclosure body and on door
- .312-18 collar studs are provided for mounting optional Premier panels
- Enclosure mounting holes in body provided for direct mounting or optional mounting feet

Door Construction

- Doors are secured to the body with concealed hinge design on one side and slotted quarter-turn flush latch(es) on the opposite side
- Doors are easily removed and interchangeable
- Door has a seamless poured in-place gasket
- Door opens 180° for easy access
- Window-door enclosures feature flush-mounted clear polycarbonate window

Notes: We can provide special sizes, finishes and other modifications. Consult the factory for your special requirements.

Type 4 Panel Enclosures

Wall-Mount Enclosures Type 4 Premier™ Series with Quarter-Turn Latches Catalog Number

Enclosure Catalog Number				Enclosure Size		Door/Body Gauge	Panel Catalog Number	Panel Size	
Solid Door		Window Door		A x B x C				H x W	
ANSI 61 Gray	RAL7035 Lt. Gray	ANSI 61 Gray	RAL7035 Lt. Gray	in.	mm			in.	mm
1084-SD	1084-SDLG	-	-	10 x 8 x 4	254 x 203 x 102	16/16	108P	8.00 x 6.00	203 x 152
1086-SD	1086-SDLG	-	-	10 x 8 x 6	254 x 203 x 152	16/16	108P	8.00 x 6.00	203 x 152
12106-SD	12106-SDLG	-	-	12 x 10 x 6	305 x 254 x 152	16/16	1210P	10.00 x 8.00	254 x 203
12126-SD	12126-SDLG	12126-SDW	12126-SDWLG	12 x 12 x 6	305 x 305 x 152	16/16	1212P	10.00 x 10.00	254 x 254
16126-SD	16126-SDLG	16126-SDW	16126-SDWLG	16 x 12 x 6	406 x 305 x 152	16/16	1612P	14.00 x 10.00	356 x 254
16166-SD	16166-SDLG	-	-	16 x 16 x 6	406 x 406 x 152	16/16	1616P	14.00 x 14.00	356 x 356
16206-SD	16206-SDLG	-	-	16 x 20 x 6	406 x 508 x 152	16/16	2016P	14.00 x 18.00	356 x 457
20166-SD	20166-SDLG	20166-SDW	20166-SDWLG	20 x 16 x 6	508 x 406 x 152	16/16	2016P	18.00 x 14.00	457 x 356
20206-SD	20206-SDLG	20206-SDW	20206-SDWLG	20 x 20 x 6	508 x 508 x 152	16/16	2020P	18.00 x 18.00	457 x 457
24166-SD	24166-SDLG	-	-	24 x 16 x 6	610 x 406 x 152	16/16	2416P	22.00 x 14.00	559 x 356
24206-SD	24206-SDLG	24206-SDW	-	24 x 20 x 6	610 x 508 x 152	16/16	2420P	22.00 x 18.00	559 x 457
24246-SD	24246-SDLG	24246-SDW	24246-SDWLG	24 x 24 x 6	610 x 610 x 152	14/16	2424P	22.00 x 22.00	559 x 559
16128-SD	16128-SDLG	16128-SDW	16128-SDWLG	16 x 12 x 8	406 x 305 x 203	16/16	1612P	14.00 x 10.00	356 x 254
16168-SD	16168-SDLG	-	-	16 x 16 x 8	406 x 406 x 203	16/16	1616P	14.00 x 14.00	356 x 356
16208-SD	16208-SDLG	-	-	16 x 20 x 8	406 x 508 x 203	16/16	2016P	14.00 x 18.00	356 x 457
20168-SD	20168-SDLG	20168-SDW	20168-SDWLG	20 x 16 x 8	508 x 406 x 203	16/16	2016P	18.00 x 14.00	457 x 356
20208-SD	20208-SDLG	20208-SDW	20208-SDWLG	20 x 20 x 8	508 x 508 x 203	16/16	2020P	18.00 x 18.00	457 x 457
20248-SD	20248-SDLG	-	-	20 x 24 x 8	508 x 610 x 203	16/16	2420P	18.00 x 22.00	457 x 559
24168-SD	24168-SDLG	-	-	24 x 16 x 8	610 x 406 x 203	16/16	2416P	22.00 x 14.00	559 x 356
24208-SD	24208-SDLG	24208-SDW	-	24 x 20 x 8	610 x 508 x 203	16/16	2420P	22.00 x 18.00	559 x 457
24248-SD	24248-SDLG	24248-SDW	24248-SDWLG	24 x 24 x 8	610 x 610 x 203	14/16	2424P	22.00 x 22.00	559 x 559
24308-SD	24308-SDLG	-	-	24 x 30 x 8	610 x 762 x 203	14/16	3024P	22.00 x 28.00	559 x 711
30208-SD	30208-SDLG	-	-	30 x 20 x 8	762 x 508 x 203	14/16	3020P	28.00 x 18.00	711 x 457
30248-SD	30248-SDLG	30248-SDW	30248-SDWLG	30 x 24 x 8	762 x 610 x 203	14/16	3024P	28.00 x 22.00	711 x 559
30308-SD	30308-SDLG	-	-	30 x 30 x 8	762 x 762 x 203	14/14	3030P	28.00 x 28.00	711 x 711
36248-SD	36248-SDLG	-	-	36 x 24 x 8	914 x 610 x 203	14/14	3624P	34.00 x 22.00	864 x 559
36308-SD	36308-SDLG	-	-	36 x 30 x 8	914 x 762 x 203	14/14	3630P	34.00 x 28.00	864 x 711
36368-SD	36368-SDLG	-	-	36 x 36 x 8	914 x 914 x 203	14/14	3636P	34.00 x 34.00	864 x 864
161210-SD	161210-SDLG	161210-SDW	-	16 x 12 x 10	406 x 305 x 254	16/16	1612P	14.00 x 10.00	356 x 254
161610-SD	161610-SDLG	-	-	16 x 16 x 10	406 x 406 x 254	16/16	1616P	14.00 x 14.00	356 x 356
162010-SD	162010-SDLG	-	-	16 x 20 x 10	406 x 508 x 254	16/16	2016P	14.00 x 18.00	356 x 457
201610-SD	201610-SDLG	201610-SDW	201610-SDWLG	20 x 16 x 10	508 x 406 x 254	16/16	2016P	18.00 x 14.00	457 x 356
202010-SD	202010-SDLG	202010-SDW	202010-SDWLG	20 x 20 x 10	508 x 508 x 254	16/16	2020P	18.00 x 18.00	457 x 457
202410-SD	202410-SDLG	-	-	20 x 24 x 10	508 x 610 x 254	16/16	2420P	18.00 x 22.00	457 x 559
241610-SD	241610-SDLG	-	-	24 x 16 x 10	610 x 406 x 254	16/16	2416P	22.00 x 14.00	559 x 356
242010-SD	242010-SDLG	242010-SDW	242010-SDWLG	24 x 20 x 10	610 x 508 x 254	16/16	2420P	22.00 x 18.00	559 x 457
242410-SD	242410-SDLG	242410-SDW	242410-SDWLG	24 x 24 x 10	610 x 610 x 254	14/16	2424P	22.00 x 22.00	559 x 559
243010-SD	243010-SDLG	-	-	24 x 30 x 10	610 x 762 x 254	14/16	3024P	22.00 x 28.00	559 x 711
302010-SD	302010-SDLG	-	-	30 x 20 x 10	762 x 508 x 254	14/16	3024P	28.00 x 18.00	711 x 457
302410-SD	302410-SDLG	302410-SDW	302410-SDWLG	30 x 24 x 10	762 x 610 x 254	14/16	3024P	28.00 x 22.00	711 x 559
303010-SD	303010-SDLG	-	-	30 x 30 x 10	762 x 762 x 254	14/14	3030P	28.00 x 28.00	711 x 711
362410-SD	362410-SDLG	-	-	36 x 24 x 10	914 x 610 x 254	14/14	3624P	34.00 x 22.00	864 x 559
363010-SD	363010-SDLG	-	-	36 x 30 x 10	914 x 762 x 254	14/14	3630P	34.00 x 28.00	864 x 711
423010-SD	-	-	-	42 x 30 x 10	1067 x 762 x 254	14/14	4230P	40.00 x 28.00	1016 x 711
363610-SD	363610-SDLG	-	-	36 x 36 x 10	914 x 914 x 254	14/14	3636P	34.00 x 34.00	864 x 864
423610-SD	423610-SDLG	-	-	42 x 36 x 10	1067 x 914 x 254	14/14	4236P	40.00 x 34.00	1016 x 864
482410-SD	482410-SDLG	-	-	48 x 24 x 10	1219 x 610 x 254	14/14	4824P	46.00 x 22.00	1168 x 559
483010-SD	-	-	-	48 x 30 x 10	1219 x 762 x 254	14/14	3048P	46.00 x 28.00	1168 x 711
483610-SD	483610-SDLG	-	-	48 x 36 x 10	1219 x 914 x 254	14/14	4836P	46.00 x 34.00	1168 x 864
603610-SD	603610-SDLG	-	-	60 x 36 x 10	1524 x 914 x 254	14/14	6036P	58.00 x 34.00	1473 x 86
202012-SD	202012-SDLG	202012-SDW	202012-SDWLG	20 x 20 x 12	508 x 508 x 305	16/16	2020P	18.00 x 18.00	457 x 457
242012-SD	242012-SDLG	242012-SDW	242012-SDWLG	24 x 20 x 12	610 x 508 x 305	16/16	2420P	22.00 x 18.00	559 x 457
242412-SD	242412-SDLG	242412-SDW	242412-SDWLG	24 x 24 x 12	610 x 610 x 305	14/16	2424P	22.00 x 22.00	559 x 559

Notes: Dimensions are in inches. Millimeters shown are for reference only. Data subject to change without notice.

Wall-Mount Enclosures Type 4 Premier™ Series with Quarter-Turn Latches Catalog Number cont. from page 146

Enclosure Catalog Number				Mounting		Window Size		Latch Quantity	J	
Solid Door		Window Door		D x E		F x G			in.	mm
ANSI 61 Gray	RAL7035 Lt. Gray	ANSI 61 Gray	RAL7035 Lt. Gray	in.	mm	in.	mm			
1084-SD	1084-SDLG	-	-	8.50 x 6.37	216 x 162	-	-	1	5.00	127
1086-SD	1086-SDLG	-	-	8.50 x 6.37	216 x 162	-	-	1	5.00	127
12106-SD	12106-SDLG	-	-	10.50 x 8.37	267 x 213	-	-	1	6.00	152
12126-SD	12126-SDLG	12126-SDW	12126-SDWLG	10.50 x 10.37	267 x 264	8.25 x 7.00	210 x 178	1	6.00	152
16126-SD	16126-SDLG	16126-SDW	16126-SDWLG	14.50 x 10.37	368 x 264	12.25 x 7.00	311 x 178	1	8.00	203
16166-SD	16166-SDLG	-	-	14.50 x 14.37	368 x 365	-	-	1	8.00	203
16206-SD	16206-SDLG	-	-	14.50 x 18.37	368 x 467	-	-	1	8.00	203
20166-SD	20166-SDLG	20166-SDW	20166-SDWLG	18.50 x 14.37	470 x 365	16.25 x 11.00	413 x 279	1	10.00	254
20206-SD	20206-SDLG	20206-SDW	20206-SDWLG	18.50 x 18.37	470 x 467	16.25 x 15.00	413 x 381	1	10.00	254
24166-SD	24166-SDLG	-	-	22.50 x 14.37	572 x 365	-	-	1	5.00	127
24206-SD	24206-SDLG	24206-SDW	-	22.50 x 18.37	572 x 467	20.25 x 15.00	514 x 381	1	5.00	127
24246-SD	24246-SDLG	24246-SDW	24246-SDWLG	22.50 x 22.37	572 x 568	20.25 x 17.62	514 x 448	1	5.00	127
16128-SD	16128-SDLG	16128-SDW	16128-SDWLG	14.50 x 10.37	368 x 264	12.25x7.00	311x178	1	8.00	203
16168-SD	16168-SDLG	-	-	14.50 x 14.37	368 x 365	-	-	1	8.00	203
16208-SD	16208-SDLG	-	-	14.50 x 18.37	368 x 467	-	-	1	8.00	202
20168-SD	20168-SDLG	20168-SDW	20168-SDWLG	18.50 x 14.37	470 x 365	16.25 x 11.00	413 x 279	1	10.00	254
20208-SD	20208-SDLG	20208-SDW	20208-SDWLG	18.50 x 18.37	470 x 467	16.25 x 15.00	413 x 381	1	10.00	254
20248-SD	20248-SDLG	-	-	18.50 x 22.37	470 x 568	-	-	1	10.00	254
24168-SD	24168-SDLG	-	-	22.50 x 14.37	572 x 365	-	-	1	5.00	127
24208-SD	24208-SDLG	24208-SDW	-	22.50 x 18.37	572 x 467	20.25 x 15.00	514 x 381	1	5.00	127
24248-SD	24248-SDLG	24248-SDW	24248-SDWLG	22.50 x 22.37	572 x 568	20.25 x 17.62	514 x 448	2	5.00	127
24308-SD	24308-SDLG	-	-	22.50 x 28.37	572 x 721	-	-	2	5.00	127
30208-SD	30208-SDLG	-	-	28.50 x 18.37	724 x 467	-	-	2	5.00	127
30248-SD	30248-SDLG	30248-SDW	30248-SDWLG	28.50 x 22.37	724 x 568	26.25 x 17.62	667 x 448	2	5.00	127
30308-SD	30308-SDLG	-	-	28.50 x 28.37	724 x 721	-	-	2	5.00	127
36248-SD	36248-SDLG	-	-	34.50 x 22.37	876 x 568	-	-	2	5.00	127
36308-SD	36308-SDLG	-	-	34.50 x 28.37	876 x 721	-	-	2	5.00	127
36368-SD	36368-SDLG	-	-	34.50 x 34.37	876 x 873	-	-	2	5.00	127
161210-SD	161210-SDLG	161210-SDW	-	14.50 x 10.37	368 x 264	12.25 x 7.00	311 x 178	1	8.00	203
161610-SD	161610-SDLG	-	-	14.50 x 14.37	368 x 365	-	-	1	8.00	203
162010-SD	162010-SDLG	-	-	14.50 x 18.37	368 x 467	-	-	1	8.00	203
201610-SD	201610-SDLG	201610-SDW	201610-SDWLG	18.50 x 14.37	470 x 365	16.25 x 11.00	413 x 279	1	10.00	254
202010-SD	202010-SDLG	202010-SDW	202010-SDWLG	18.50 x 18.37	470 x 467	16.25 x 15.00	413 x 381	1	10.00	254
202410-SD	202410-SDLG	-	-	18.50 x 22.37	470 x 568	-	-	1	10.00	254
241610-SD	241610-SDLG	-	-	22.50 x 14.37	572 x 365	-	-	1	5.00	127
242010-SD	242010-SDLG	242010-SDW	242010-SDWLG	22.50 x 18.37	572 x 467	20.25 x 15.00	514 x 381	1	5.00	127
242410-SD	242410-SDLG	242410-SDW	242410-SDWLG	22.50 x 22.37	572 x 568	20.25 x 17.62	514 x 448	2	5.00	127
243010-SD	243010-SDLG	-	-	22.50 x 28.37	572 x 721	-	-	2	5.00	127
302010-SD	302010-SDLG	-	-	28.50 x 18.37	724 x 467	-	-	2	5.00	127
302410-SD	302410-SDLG	302410-SDW	302410-SDWLG	28.50 x 22.37	724 x 568	26.25 x 17.62	667 x 448	2	5.00	127
303010-SD	303010-SDLG	-	-	28.50 x 28.37	724 x 721	-	-	2	5.00	127
362410-SD	362410-SDLG	-	-	34.50 x 22.37	876 x 568	-	-	2	5.00	127
363010-SD	363010-SDLG	-	-	34.50 x 28.37	876 x 721	-	-	2	5.00	127
423010-SD	-	-	-	40.50 x 28.37	1029 x 721	-	-	3	5.00	127
363610-SD	363610-SDLG	-	-	34.50 x 34.37	876 x 873	-	-	2	5.00	127
423610-SD	423610-SDLG	-	-	40.50 x 34.37	1029 x 873	-	-	3	5.00	127
482410-SD	482410-SDLG	-	-	46.50 x 22.37	1181 x 568	-	-	3	5.00	127
483010-SD	-	-	-	46.50 x 28.37	1181 x 721	-	-	3	5.00	127
483610-SD	483610-SDLG	-	-	46.50 x 34.37	1181 x 873	-	-	3	5.00	127
603610-SD	603610-SDLG	-	-	58.50 x 34.37	1486 x 873	-	-	3	5.00	127
202012-SD	202012-SDLG	202012-SDW	202012-SDWLG	18.50 x 18.37	470 x 467	16.25 x 15.00	413 x 381	1	10.00	254
242012-SD	242012-SDLG	242012-SDW	242012-SDWLG	22.50 x 18.37	572 x 467	20.25 x 15.00	514 x 381	1	5.00	127
242412-SD	242412-SDLG	242412-SDW	242412-SDWLG	22.50 x 22.37	572 x 568	20.25 x 17.62	514 x 448	2	5.00	127

Notes: Dimensions are in inches. Millimeters shown are for reference only. Data subject to change without notice.

Type 4 Panel Enclosures

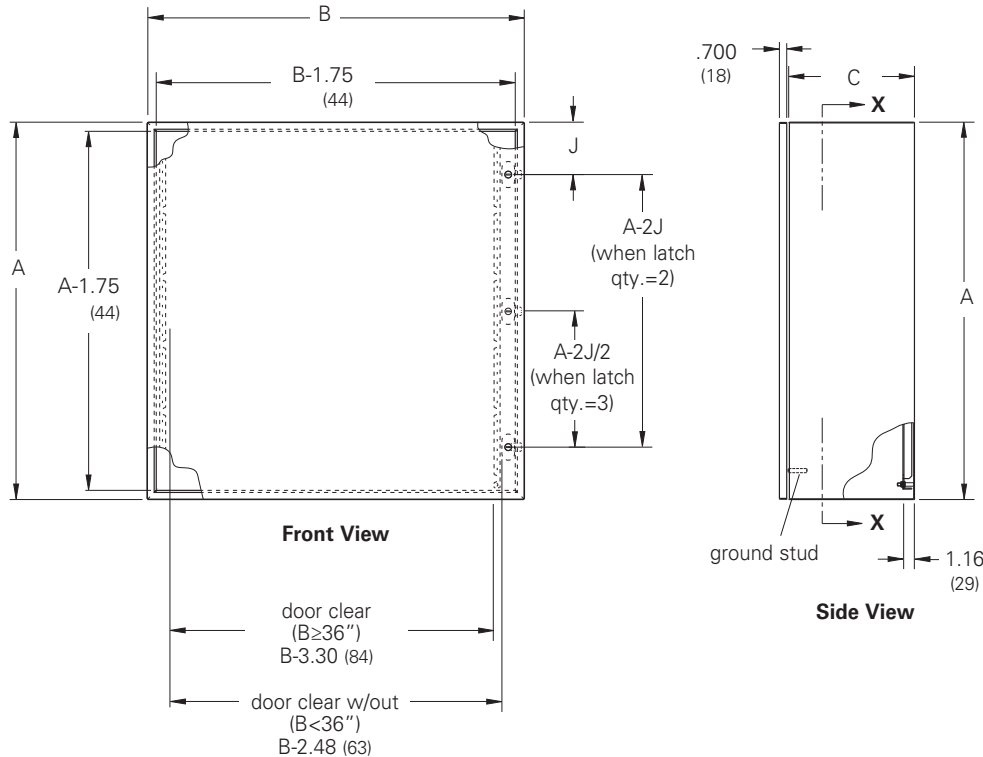
Type 4 Panel Enclosures

Wall-Mount Enclosures Type 4 Premier™ Series with Quarter-Turn Latches Catalog Number

Enclosure Catalog Number				Enclosure Size		Door/Body Gauge	Panel Catalog Number	Panel Size	
Solid Door		Window Door		A x B x C				H x W	
ANSI 61 Gray	RAL7035 Lt. Gray	ANSI 61 Gray	RAL7035 Lt. Gray	in.	mm			in.	mm
302412-SD	302412-SDLG	302412-SDW	302412-SDWLG	30 x 24 x 12	762 x 610 x 305	14/16	3024P	28.00 x 22.00	711 x 559
303012-SD	303012-SDLG	-	-	30 x 30 x 12	762 x 762 x 305	14/14	3030P	28.00 x 28.00	711 x 711
362412-SD	362412-SDLG	-	-	36 x 24 x 12	914 x 610 x 305	14/14	3624P	34.00 x 22.00	864 x 559
363012-SD	363012-SDLG	-	-	36 x 30 x 12	914 x 762 x 305	14/14	3630P	34.00 x 28.00	864 x 711
423012-SD	423012-SDLG	-	-	42 x 30 x 12	1067 x 762 x 305	14/14	4230P	40.00 x 28.00	1016 x 711
363612-SD	363612-SDLG	-	-	36 x 36 x 12	914 x 914 x 305	14/14	3636P	34.00 x 34.00	864 x 864
423612-SD	423612-SDLG	-	-	42 x 36 x 12	1067 x 914 x 305	14/14	4236P	40.00 x 34.00	1016 x 864
482412-SD	482412-SDLG	-	-	48 x 24 x 12	1219 x 610 x 305	14/14	4824P	46.00 x 22.00	1168 x 559
483612-SD	483612-SDLG	-	-	48 x 36 x 12	1219 x 914 x 305	14/14	4836P	46.00 x 34.00	1168 x 864
603612-SD	603612-SDLG	-	-	60 x 36 x 12	1524 x 914 x 305	14/14	6036P	58.00 x 34.00	1473 x 864
242016-SD	-	-	-	24 x 20 x 16	610 x 508 x 406	14/14	2420P	22.00 x 18.00	559 x 457
242416-SD	242416-SDLG	242416-SDW	242416-SDWLG	24 x 24 x 16	610 x 610 x 406	14/14	2424P	22.00 x 22.00	559 x 559
302416-SD	-	-	-	30 x 24 x 16	762 x 610 x 406	14/14	3024P	28.00 x 22.00	711 x 559
362416-SD	-	-	-	36 x 24 x 16	914 x 610 x 406	14/14	3624P	34.00 x 22.00	864 x 559
363016-SD	363016-SDLG	-	-	36 x 30 x 16	914 x 762 x 406	14/14	3630P	34.00 x 28.00	864 x 711
423616-SD	-	-	-	42 x 36 x 16	1067 x 914 x 406	14/14	4236P	40.00 x 34.00	1016 x 864
483616-SD	483616-SDLG	-	-	48 x 36 x 16	1219 x 914 x 406	14/14	4836P	46.00 x 34.00	1168 x 864
603616-SD	-	-	-	60 x 36 x 16	1524 x 914 x 406	14/14	6036P	58.00 x 34.00	1473 x 864
242420-SD	242420-SDLG	242420-SDW	242420-SDWLG	24 x 24 x 20	610 x 610 x 508	14/14	2424P	22.00 x 22.00	559 x 559
302420-SD	302420-SDLG	302420-SDW	302420-SDWLG	30 x 24 x 20	762 x 610 x 508	14/14	3024P	28.00 x 22.00	711 x 559
363020-SD	363020-SDLG	-	-	36 x 30 x 20	914 x 762 x 508	14/14	3630P	34.00 x 28.00	864 x 711
483620-SD	-	-	-	48 x 36 x 20	1219 x 914 x 508	14/14	4836P	46.00 x 34.00	1168 x 864
603620-SD	-	-	-	60 x 36 x 20	1524 x 914 x 508	14/14	6036P	58.00 x 34.00	1473 x 864

Type 4 Panel Enclosures

Illustration Without Window



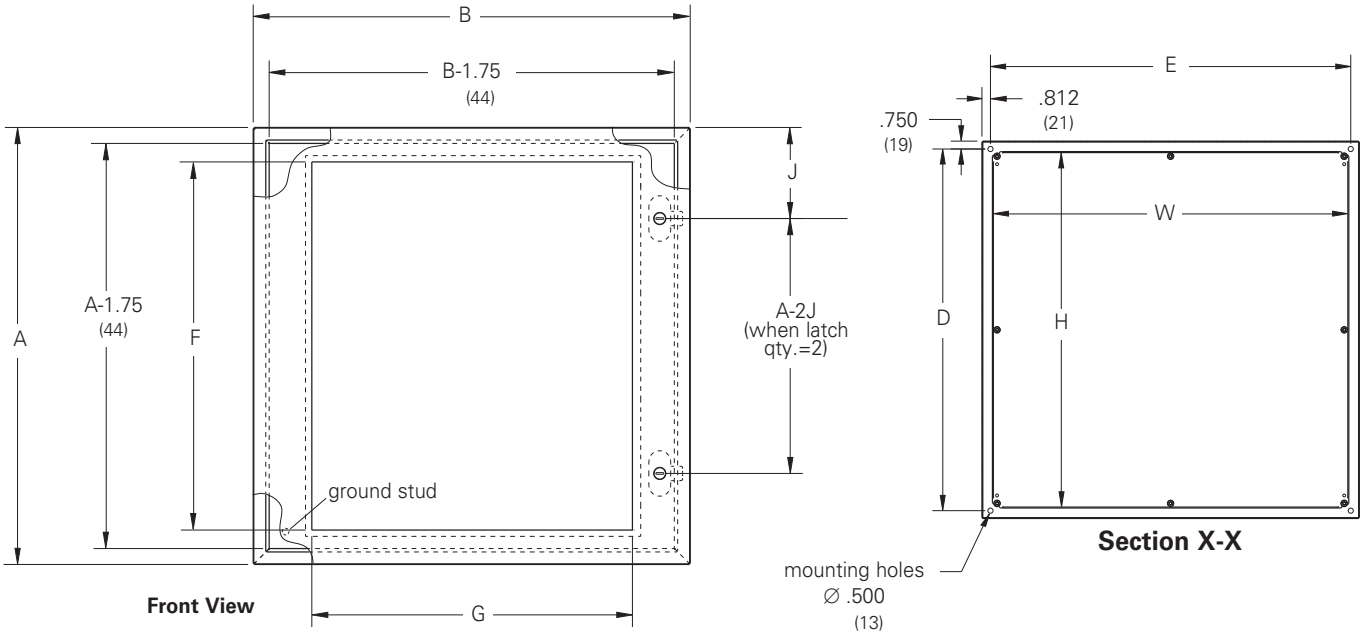
Notes: Dimensions are in inches. Millimeters shown are for reference only. Data subject to change without notice.

Wall-Mount Enclosures Type 4 Premier™ Series with Quarter-Turn Latches

Catalog Number cont. from page 148

Enclosure Catalog Number				Mounting		Window Size		Latch Quantity	J	
Solid Door		Window Door		D x E		F x G			in.	mm
ANSI 61 Gray	RAL7035 Lt. Gray	ANSI 61 Gray	RAL7035 Lt. Gray	in.	mm	in.	mm			
302412-SD	302412-SDLG	302412-SDW	302412-SDWLG	28.50 x 22.37	724 x 568	26.25 x 17.62	667 x 448	2	5.00	127
303012-SD	303012-SDLG	-	-	28.50 x 28.37	724 x 721	-	-	2	5.00	127
362412-SD	362412-SDLG	-	-	34.50 x 22.37	876 x 568	-	-	2	5.00	127
363012-SD	363012-SDLG	-	-	34.50 x 28.37	876 x 721	-	-	2	5.00	127
423012-SD	423012-SDLG	-	-	40.50 x 28.37	1029 x 721	-	-	3	5.00	127
363612-SD	363612-SDLG	-	-	34.50 x 34.37	876 x 873	-	-	2	5.00	127
423612-SD	423612-SDLG	-	-	40.50 x 34.37	1029 x 873	-	-	3	5.00	127
482412-SD	482412-SDLG	-	-	46.50 x 22.37	1181 x 568	-	-	3	5.00	127
483612-SD	483612-SDLG	-	-	46.50 x 34.37	1181 x 873	-	-	3	5.00	127
603612-SD	603612-SDLG	-	-	58.50 x 34.37	1486 x 873	-	-	3	5.00	127
242016-SD	-	-	-	22.50 x 18.37	572 x 467	-	-	2	5.00	127
242416-SD	242416-SDLG	242416-SDW	242416-SDWLG	22.50 x 22.37	572 x 568	20.25 x 17.62	514 x 448	2	5.00	127
302416-SD	-	-	-	28.50 x 22.37	725 x 568	-	-	2	5.00	127
362416-SD	-	-	-	34.50 x 22.37	876 x 568	-	-	2	5.00	127
363016-SD	363016-SDLG	-	-	34.50 x 28.37	876 x 721	-	-	2	5.00	127
423616-SD	-	-	-	40.50 x 34.37	1029 x 873	-	-	3	5.00	127
483616-SD	483616-SDLG	-	-	46.50 x 34.37	1181 x 873	-	-	3	5.00	127
603616-SD	-	-	-	58.50 x 34.37	1486 x 873	-	-	3	5.00	127
242420-SD	242420-SDLG	242420-SDW	242420-SDWLG	22.50 x 22.37	572 x 568	20.25 x 17.62	514 x 448	2	5.00	127
302420-SD	302420-SDLG	302420-SDW	302420-SDWLG	28.50 x 22.37	724 x 568	26.25 x 17.62	667 x 448	2	5.00	127
363020-SD	363020-SDLG	-	-	34.50 x 28.37	876 x 721	-	-	2	5.00	127
483620-SD	-	-	-	46.50 x 34.37	1181 x 873	-	-	3	5.00	127
603620-SD	-	-	-	58.50 x 34.37	1486 x 873	-	-	3	5.00	127

Illustration With Window



Notes: Dimensions are in inches. Millimeters shown are for reference only. Data subject to change without notice.

Type 4 Panel Enclosures

Type 4 Panel Enclosures

Wall-Mount Enclosures

Type 4 Premier™ Series Flush-Mount with Quarter-Turn Latches Data Sheet



Application

- Houses electrical controls and instruments
- Intended for indoor or outdoor use
- Protects against circulating and windblown dust, falling dirt, dripping non-corrosive liquids, rain, splashing water and hose directed water

Standards

- UL 508A Listed, Type 4 and Type 12
- cUL Listed, Type 4 and Type 12
- Conforms to NEMA standard for Type 4 and Type 12

Finish

- Wash and phosphate undercoat
- ANSI 61 gray polyester powder finish

Accessories

- Premier panels
- Security latch inserts
- NEMA panel adapters
- Mounting foot kits
- Depth adjustment brackets
- EIA/TIA rack mounting angles
- Print pockets
- Swing-out panels
- Padlockable or keyed handles
- See Accessories section, pages 154-159

Construction

- Enclosure and door are fabricated from code gauge steel (see page 151)
- All continuous welded seams are finished smooth
- Hardware kit provided contains grounding hardware, .312-18 flanged hex nuts for panel mounting, and sealing washers for body mounting holes

Body Construction

- Body flange trough design is formed around body opening to divert liquid contaminants away from door opening
- Reduced width flange design increases enclosure opening
- Ground stud provided on enclosure body and on door
- .312-18 collar studs are provided for mounting optional Premier panels
- Enclosure mounting holes in body provided for direct mounting or optional mounting feet

Door Construction

- Doors are secured to the body with a concealed hinge design on one side and slotted quarter-turn flush latch(es) on the opposite side
- Flush cover for recessed wall-mounting
- Doors are easily removed and interchangeable
- Door has a seamless poured in-place gasket
- Door opens 90° for easy access

Discount Schedule: C2

Subclass: TC0

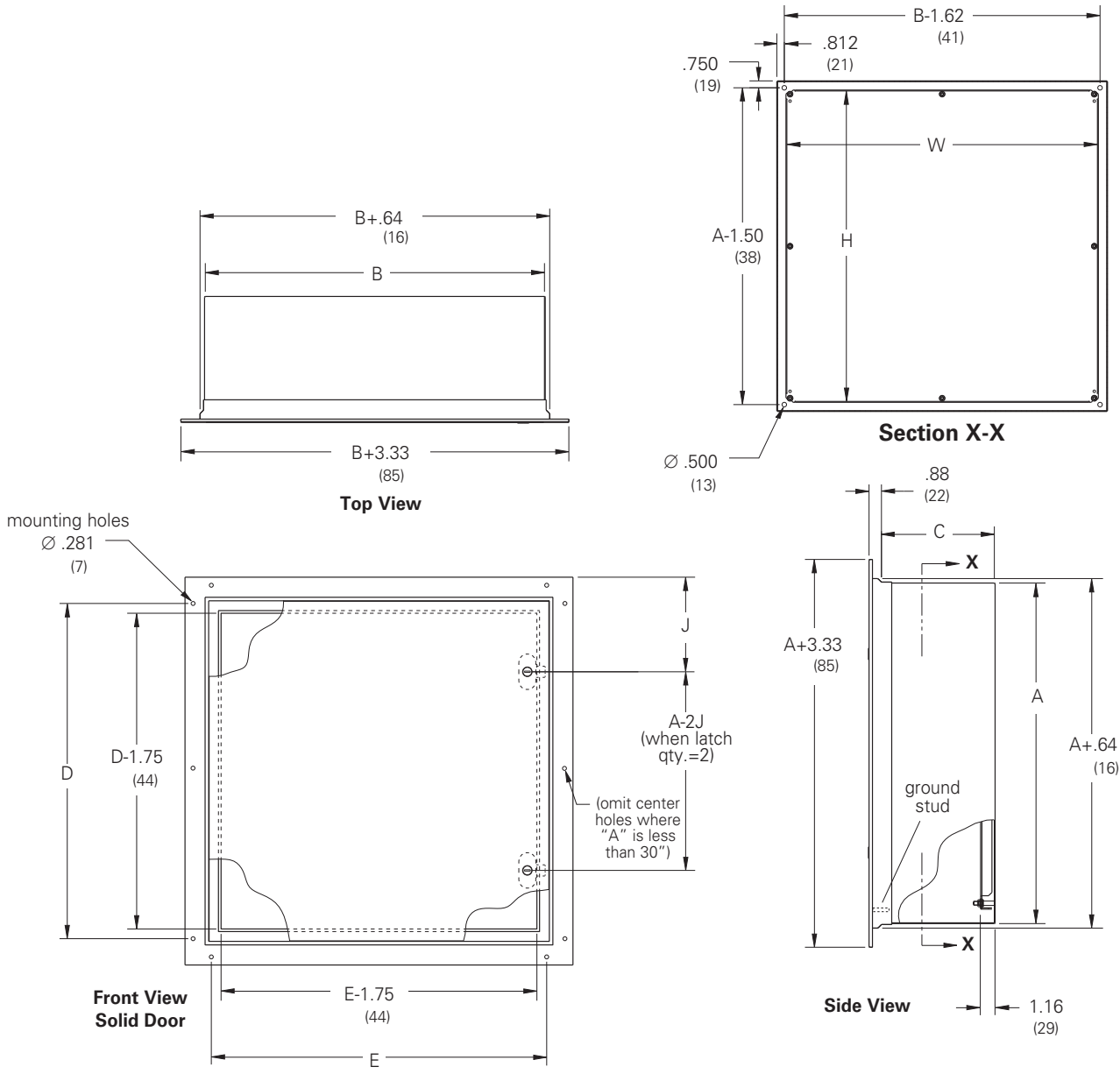
Notes: We can provide special sizes, finishes and other modifications. Consult the factory for your special requirements.

Wall-Mount Enclosures

Type 4 Premier™ Series Flush-Mount with Quarter-Turn Latches

Illustration Sheet and Catalog Number

Enclosure Catalog Number Solid Door	Enclosure Size A x B x C		Door/Body Gauge	Panel Catalog Number	Panel Size H x W		Mounting D x E		Latch Qty.	J	
	in.	mm			in.	mm	in.	mm		in.	mm
12126-FM	12x12x6	305x305x152	16/16	1212P	10.00x10.00	254x254	11.62x11.62	295x295	1	6.00	152
16126-FM	16x12x6	406x305x152	16/16	1612P	14.00x10.00	356x254	15.62x11.62	397x295	1	8.00	203
20166-FM	20x16x6	508x406x152	16/16	2016P	18.00x14.00	457x356	19.62x15.62	498x397	1	10.00	254
20206-FM	20x20x6	508x508x152	16/16	2020P	18.00x18.00	457x457	19.62x19.62	498x498	1	10.00	254
24208-FM	24x20x8	610x508x152	16/16	2420P	22.00x18.00	559x457	23.62x19.62	600x498	1	5.00	127
24248-FM	24x24x8	610x610x152	14/16	2424P	22.00x22.00	559x559	23.62x23.62	600x600	2	5.00	127
30248-FM	30x24x8	762x610x152	14/16	3024P	28.00x22.00	711x559	29.62x23.62	752x600	2	5.00	127



Type 4 Panel Enclosures

Notes: Dimensions are in inches. Millimeters shown are for reference only. Data subject to change without notice.

Panel Enclosures

Wall-Mount Enclosures

Type 12 Premier™ Series Double-Door with Quarter-Turn Latches

Data Sheet



Application

- Houses electrical controls and instruments
- Protects against circulating and windblown dust, falling dirt and dripping non-corrosive liquids

Standards

- UL 508A Listed, Type 12
- cUL Listed, Type 12
- Conforms to NEMA standard for Type 12
- Wall-mounting bracket required to maintain UL/CSA external mounting requirements

Finish

- Wash and phosphate undercoat
- ANSI 61 gray polyester powder finish

Accessories

- Premier panels
- NEMA panel adapters
- Depth adjustment brackets
- Print pockets
- Padlockable or keyed handles
- Security latch inserts
- Mounting foot kits
- See Accessories section, pages 154-159

Construction

- Enclosure and door are fabricated from code gauge steel (see page 153)
- All continuous welded seams are finished smooth
- Hardware kit provided contains grounding hardware, .312-18 flanged hex nuts for panel mounting, and sealing washers for body mounting holes

Body Construction

- Body flange trough design is formed around body opening to divert liquid contaminants away from door opening
- Reduced width flange design increases enclosure opening
- Ground stud provided on enclosure body and on door
- .312-18 collar studs are provided for mounting optional Premier panels
- Enclosure mounting holes in body provided for direct mounting or optional mounting feet

Door Construction

- Doors are secured to the body with a concealed hinge design on one side and slotted quarterturn flush latch(es) on the opposite side
- Doors are easily removed and interchangeable
- Door opens 180° for easy access
- Doors have a fixed, oil-resistant gasket

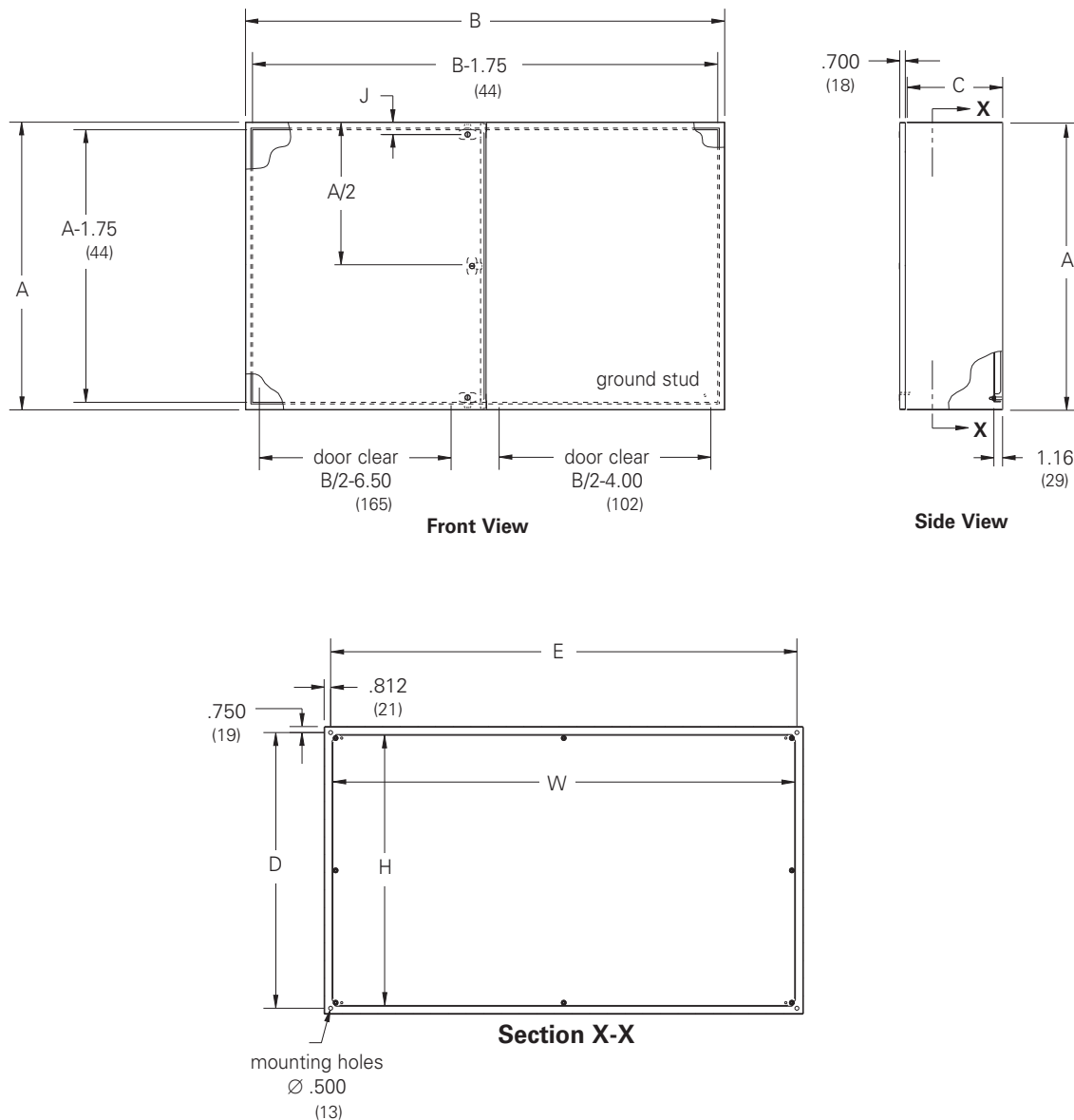
Discount Schedule: C2

Subclass: TC0

Notes: We can provide special sizes, finishes and other modifications. Consult the factory for your special requirements.

Wall-Mount Enclosures Type 12 Premier™ Series Double-Door with Quarter-Turn Latches Illustration Sheet and Catalog Number

Enclosure Catalog Number Solid Door	Enclosure Size A x B x C		Door/Body Gauge	Panel Catalog Number	Panel Size H x W		Mounting D x E		Latch Qty.	J	
	in.	mm			in.	mm	in.	mm		in.	mm
24428-TD	24x42x8	610x1067x203	14/14	2442P	22.00x40.00	559x1016	22.50x40.37	572x1026	3	5.00	127
30488-TD	30x48x8	762x1219x203	14/14	3048P	28.00x46.00	711x1168	28.50x46.37	724x1178	3	5.00	127
306012-TD	30x60x12	762x1524x305	14/14	3060P	28.00x58.00	711x1473	28.50x58.37	724x1483	3	5.00	127
364812-TD	36x48x12	914x1219x305	14/14	4836P	34.00x46.00	864x1168	34.50x46.37	876x1178	3	5.00	127
366012-TD	36x60x12	914x1524x305	14/14	6036P	34.00x58.00	864x1473	34.50x58.37	876x1483	3	5.00	127



Type 4 Panel Enclosures

Notes: Dimensions are in inches. Millimeters shown are for reference only. Data subject to change without notice.

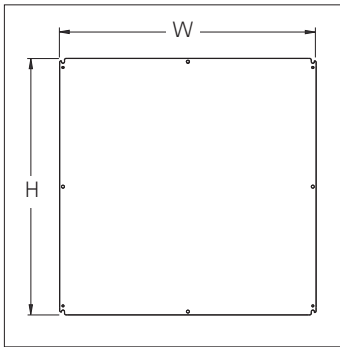
Type 4 Panel Enclosures

Premier™ Series Accessories

Discount Schedule: C2

Panels Subclass: TDP

Premier panels can be installed in any Premier Series enclosure and are up to 20% larger than standard NEMA panels. Panels above 24" are flanged. Steel panels have a white polyester powder paint finish. Stainless Steel and conductive galvanized sizes are available as shown in chart.



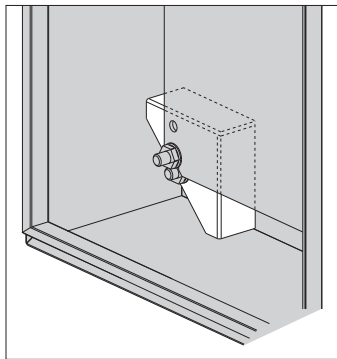
Catalog Number			Panel Size H x W		Gauge
Conductive	Steel	Stainless	in.	mm	
108GP	108P	108PSS4	8.00 x 6.00	203 x 152	14
1210GP	1210P	1210PSS4	10.00 x 8.00	254 x 203	14
1212GP	1212P	1212PSS4	10.00 x 10.00	254 x 254	14
1612GP	1612P	1612PSS4	14.00 x 10.00	356 x 254	14
1616GP	1616P	1616PSS4	14.00 x 14.00	356 x 356	12
2016GP	2016P	2016PSS4	18.00 x 14.00	457 x 356	12
2020GP	2020P	2020PSS4	18.00 x 18.00	457 x 457	12
2416GP	2416P	2416PSS4	22.00 x 14.00	559 x 356	12
2420GP	2420P	2420PSS4	22.00 x 18.00	559 x 457	12
2424GP	2424P	2424PSS4	22.00 x 22.00	559 x 559	12
2442GP	2442P	2442PSS4	22.00 x 40.00	559 x 1016	12
3020GP	3020P	3020PSS4	28.00 x 18.00	711 x 457	12
3024GP	3024P	3024PSS4	28.00 x 22.00	711 x 559	12
3030GP	3030P	3030PSS4	28.00 x 28.00	711 x 711	12
3048GP	3048P	3048PSS4	28.00 x 46.00	711 x 1168	12
3060GP	3060P	3060PSS4	28.00 x 58.00	711 x 1473	12
3624GP	3624P	3624PSS4	34.00 x 22.00	864 x 559	12
3630GP	3630P	3630PSS4	34.00 x 28.00	864 x 711	12
3636GP	3636P	3636PSS4	34.00 x 34.00	864 x 864	12
4230GP	4230P	4230PSS4	40.00 x 28.00	1016 x 711	12
4236GP	4236P	4236PSS4	40.00 x 34.00	1016 x 864	12
4824GP	4824P	4824PSS4	46.00 x 22.00	1168 x 559	12
4836GP	4836P	4836PSS4	46.00 x 34.00	1168 x 864	12
6036GP	6036P	6036PSS4	58.00 x 34.00	1473 x 864	12

NEMA Panel Adapters Subclass: TD0

NEMA panel adapters allow standard NEMA panels to be used in Premier series enclosures. Decreased height and width of NEMA panels increase space around panel for wire management. Kit includes four adapters and four .375-16 flanged hex nuts.

Finish: Zinc Plated

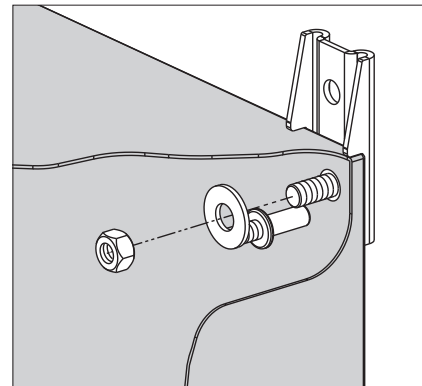
(Note: Cannot be used with enclosures 12" x 12" (305 mm x 305 mm) or smaller.)



Catalog Number	Qty.	For use with Premier Enclosures
PCK4	4	30" x 30" or smaller

Mounting Foot Kits Subclass: TD0

Mounting foot kits are available in stainless steel. Four feet and hardware are included.



Catalog Number	Qty.	Description
WMK	4	Zinc Plated Steel

Notes: Dimensions are in inches. Millimeters shown are for reference only. Data subject to change without notice.

Premier™ Series Accessories

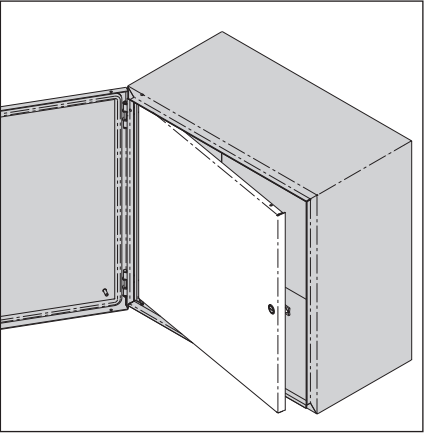
Discount Schedule: C2

Subclass: TD0

Swing-Out Panels

Swing-out panels offer a means for mounting user components and equipment near the front of an enclosure opening. Panel pivots from front of enclosure to allow easy access to internal equipment. Swing-out panels are 14 gauge with a white polyester powder finish and includes all hardware for mounting to front flange of enclosure.

(Note: Cannot be used in conjunction with depth adjustment brackets).



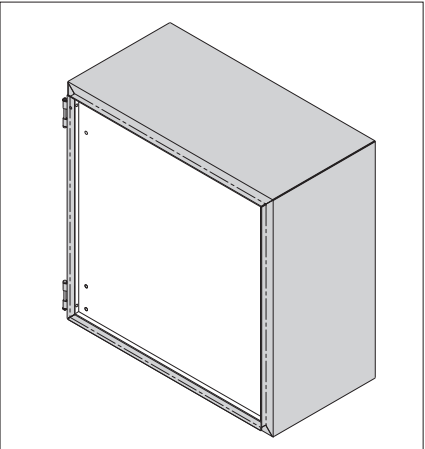
Note: Swing-out panel distance from panel face to inside of enclosure cover equals 1 1/4".

Catalog Number	Panel Size		For use with Premier Enclosures A x B
	Height	Width	
1212SP	9.78 x 9.84	248 x 250	12"x12"
1612SP	13.78 x 9.84	350 x 250	16"x12"
1616SP	13.78 x 13.84	350 x 352	16"x16"
1620SP	13.78 x 17.84	350 x 453	16"x20"
2016SP	17.78 x 13.84	452 x 352	20"x16"
2020SP	17.78 x 17.84	452 x 453	20"x20"
2024SP	17.78 x 21.84	452 x 555	20"x24"
2416SP	21.78 x 13.84	553 x 352	24"x16"
2420SP	21.78 x 17.84	553 x 453	24"x20"
2424SP	21.78 x 21.84	553 x 555	24"x24"
3020SP	27.78 x 17.84	706 x 453	30"x20"
3024SP	27.78 x 21.84	706 x 555	30"x24"
3030SP	27.78 x 27.84	706 x 707	30"x30"
3624SP	33.78 x 21.84	858 x 555	36"x24"
3630SP	33.78 x 27.84	858 x 707	36"x30"
3636SP	33.78 x 33.84	858 x 860	36"x36"

Dead Front Panels

Dead front kits offer a means for mounting user components and equipment near the front of an enclosure opening. Also, creates a barrier and controls access to the enclosure interior. Kit includes ANSI 61 gray panel and all hardware for mounting to enclosures.

(Note: Cannot be used in conjunction with depth adjustment brackets).

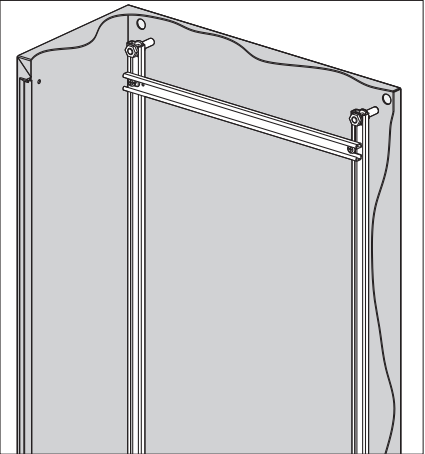


Note: Dead front panel distance from panel face to inside of enclosure cover equals 1 1/4".

Catalog Number	For use with Premier Enclosures A x B
1612DF	16"x12"
2016DF	20"x16"
2020DF	20"x20"
2420DF	24"x20"
2424DF	24"x24"
3024DF	30"x24"

Mounting Channels

Mounting channels create a vertical or horizontal framework for DIN rail, flexible mounting straps, or other component attachment. Two channels provided for mounting on enclosure collar studs. Finish: Zinc Plated



Catalog Number	Qty.	For use with Premier Enclosures
16MC	2	16" height or width
20MC	2	20" height or width
24MC	2	24" height or width
30MC	2	30" height or width
36MC	2	36" height or width
42MC	2	42" height or width
48MC	2	48" height or width
60MC	2	60" height or width

Notes: Dimensions are in inches. Millimeters shown are for reference only. Data subject to change without notice.

Type 4 Panel Enclosures

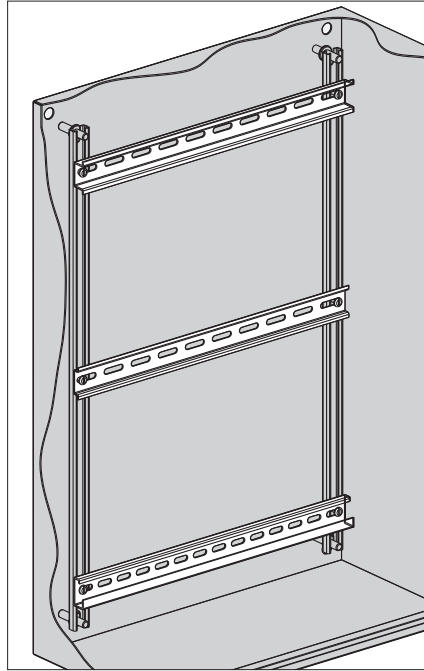
Premier™ Series Accessories

Discount Schedule: C2

Subclass: TD0

DIN Rail Kits

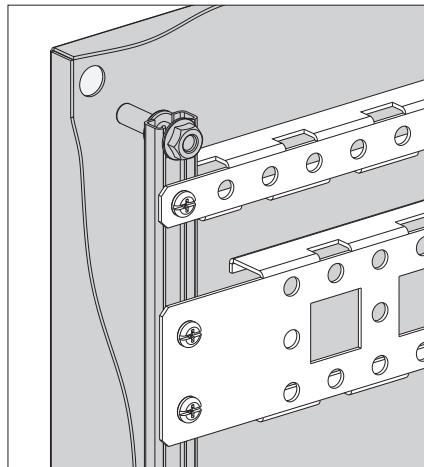
DIN rail kits provide flexibility for mounting DIN type snap-on equipment. Three styles; TS32x15, slotted; TS35x7.5, slotted; TS35x15, slotted all attach to collar studs either horizontally or vertically. Three DIN rails, screws and channel nuts are provided. Finish: Yellow Zinc



Catalog Number	Description	For use with Premier Enclosures
12DR1P	TS32 x 15, slotted	12" height or width
16DR1P	TS32 x 15, slotted	16" height or width
20DR1P	TS32 x 15, slotted	20" height or width
24DR1P	TS32 x 15, slotted	24" height or width
12DR3P	TS35 x 7.5, slotted	12" height or width
16DR3P	TS35 x 7.5, slotted	16" height or width
20DR3P	TS35 x 7.5, slotted	20" height or width
24DR3P	TS35 x 7.5, slotted	24" height or width
12DRCP	TS35 x 15, slotted	12" height or width
16DRCP	TS35 x 15, slotted	16" height or width
20DRCP	TS35 x 15, slotted	20" height or width
24DRCP	TS35 x 15, slotted	24" height or width

Flexible Mounting Straps

Flexible mounting straps offer a versatile, horizontal or vertical mounting method inside enclosure body. Two designs; 1-hole or 3-hole pattern increase mounting flexibility and attach to enclosure collar studs. Flexible mounting strap kit contains two straps and hardware. Finish: Zinc Plated



Catalog Number	Description	Fits Premier Premier Enclosures
12GS1	1 hole	12" height or width
16GS1	1 hole	16" height or width
20GS1	1 hole	20" height or width
24GS1	1 hole	24" height or width
30GS1	1 hole	30" height or width
36GS3	3 hole	36" height or width
42GS3	3 hole	42" height or width
48GS3	3 hole	48" height or width
60GS3	3 hole	60" height or width

Notes: Dimensions are in inches. Millimeters shown are for reference only. Data subject to change without notice.

Premier™ Series Accessories

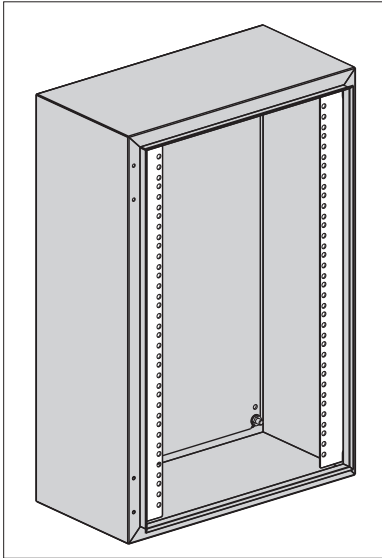
Discount Schedule: C2

Subclass: TD0

Rack Mounting Angles

Relay rack angles are designed for mounting EIA 19" rack mount equipment inside 24" wide enclosures. Fabricated from 14 gauge steel and zinc plated. Rack angles are mounted to enclosure flange with hardware provided. Rack mount angles are untapped and require screws and cage nuts for equipment mounting (order separately).

Finish: Zinc Plated



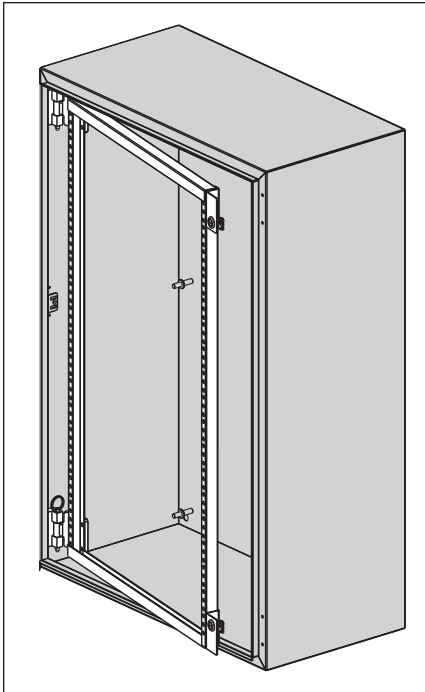
Catalog Number	For use with Premier Enclosures	Mounting Units
10URMA	20" height	10
12URMA	24" height	12
16URMA	30" height	16
19URMA	36" height	19
26URMA	48" height	26

Universal Spacing [5/8" (16mm), 5/8" (16mm), 1/2" (13mm)]

Swing-Out Rack Frames

Swing-out rack frames allow mounting of EIA 19" rack mount equipment. Flexible pivoting framework provides access to back of equipment or other internal components. Designed for use with 24" wide Premier series enclosures. Mounting hardware included. Swing-out rack frame holes are untapped and require screws and cage nuts for equipment mounting (order separately).

(Note: Cannot be used in conjunction with depth adjustment brackets).
Finish: ANSI Gray Polyester Powder



Catalog Number	For use with Premier Enclosures	Mounting Units
2424SF	24" x 24"	11
3024SF	30" x 24"	15
3624SF	36" x 24"	18

Universal Spacing [5/8" (16mm), 5/8" (16mm), 1/2" (13mm)]

Type 4 Panel Enclosures

Notes: Dimensions are in inches. Millimeters shown are for reference only. Data subject to change without notice.

Type 4 Panel Enclosures

Premier™ Series Accessories

Discount Schedule: C2

Subclass: TD0

Handles

Padlocking, key-locking or non-locking handles are interchangeable with standard slotted quarter-turn flush latch on Premier series enclosures. Available keyed alike or keyed different, please specify when ordering.



Catalog Number	Description
WMHNL	Wall-mount handle, non-locking
WMHK-01	Wall-mount handle, key-locking - keyed 01
WMHK-02	Wall-mount handle, key-locking - keyed 02
WMHK-03	Wall-mount handle, key-locking - keyed 03
WMHK-04	Wall-mount handle, key-locking - keyed 04
WMHPTO	Wall-mount handle, padlockable

Security Latch Inserts

Security latch inserts interchange with slotted quarter-turn flush latch and provide security and control access to interior of enclosure. Inserts include matching key.



7MTLK

Catalog Number	Description
7MTLK	7mm triangular latch insert
7MSLK	7mm square latch insert
3MDBLK	3mm double bit latch insert



7MSLK



3MDBLK

Print Pockets

Print pockets provide a convenient place to store operation manuals, diagrams, or other documents inside the enclosure. Thermoplastic pockets are gray and have cut away areas for viewing contents. Pockets have adhesive backing for mounting inside on enclosure door.



Catalog Number	Length x Width
32170	6" x 6"
32171	10" x 10"

Notes: Dimensions are in inches. Millimeters shown are for reference only. Data subject to change without notice.

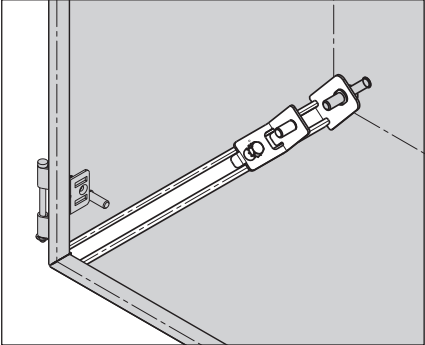
Premier™ Series Accessories

Discount Schedule: C2

Subclass: TD0

Depth Adjustment Brackets

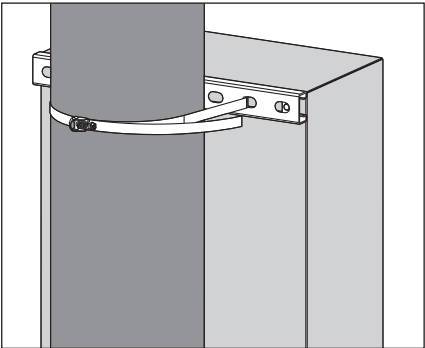
Depth adjustment brackets allow variable depth mounting of premier accessories. Designed for use with 6", 8" or 12" deep enclosures. Kit is available in quantities of 4 or 2 and includes mounting channel, adjustable mechanism and hardware. When enclosure has 6 collar studs, use two kits. **(Note:** Not for use with swing-out rack frame, dead front panel or swing-out panel). Finish: Zinc Plated



Catalog Number	Qty.	For use with Premier Enclosures
64AMK	4	6" depth or greater
84AMK	4	8" depth or greater
82AMK	2	8" depth or greater
124AMK	4	12" depth or greater
122AMK	2	12" depth or greater

Pole Mounting Kits

Pole mounting kits allow installation of enclosure on round or rectangular poles. Kit includes hot dip galvanized after fabrication strut channel, stainless steel band and hardware for top and bottom mounting of enclosure.



Note: Pole diameter range 4" minimum to 12" maximum.

Catalog Number	For use with Premier Enclosures
12PMK	12" width
16PMK	16" width
20PMK	20" width
24PMK	24" width
30PMK	30" width

Hardware

Phillips head screws and cage nuts are available in #10-32, #12-24 or M6 and allow mounting of equipment to untapped holes in rack mounting angles and swing-out rack frame.



Catalog Number	Screw Type
E2-MA-1032-PHMS-100	#10-32 Phillips
E2-MA-1224-PHMS-100	#12-24 Phillips
E2-MA-M6-PHMS-100	M6 Phillips

Catalog Number	Cage Nut Type
E2-MA-CN-1032-100	#10-32 Tapped
E2-MA-CN-1224-100	#12-24 Tapped
E2-MA-CN-M6-100	M6 Tapped

Sold in bags of 100 pieces.

Type 4 Panel Enclosures

Notes: Dimensions are in inches. Millimeters shown are for reference only. Data subject to change without notice.

Type 4 Panel Enclosures

Wall-Mount Enclosures Type 4 Single-Door with 3-Point Locking Data Sheet and Catalog Number



Finish

- Wash and phosphate undercoat
- ANSI 61 gray polyester powder finish

Accessories

- Panels
- Swing-out panel kit
- NEMA terminal kit
- Window Kits
- Floor stand kit
- Replacement handle, T4PKHB, (see page 427)

Construction

- Enclosure and door are fabricated from code gauge steel, (see pages 160 & 161)
- All continuous welded seams are finished smooth
- Continuous hinge with stainless steel hinge pin
- Internal 3-point latching with a keylocking and padlock handle
- Door has a seamless poured in-place gasket
- Formed lip around enclosure opening diverts liquids and contaminants
- Ground stud provided on door and body
- Print pocket provided
- .375-16 colar studs are provided for mounting optional panel
- External mounting feet

Application

- Houses electrical controls and instruments
- Intended for indoor or outdoor use
- Protects against windblown dust and rain, splashing water and hose directed water

Standards

- UL 508A listed, Type 4, Type 12
- CSA C22.2 No.94 certified, Type 4, Type 12
- Conforms to NEMA standard for Type 3, Type 4, Type 12

Discount Schedule: C2

Subclass: DF3

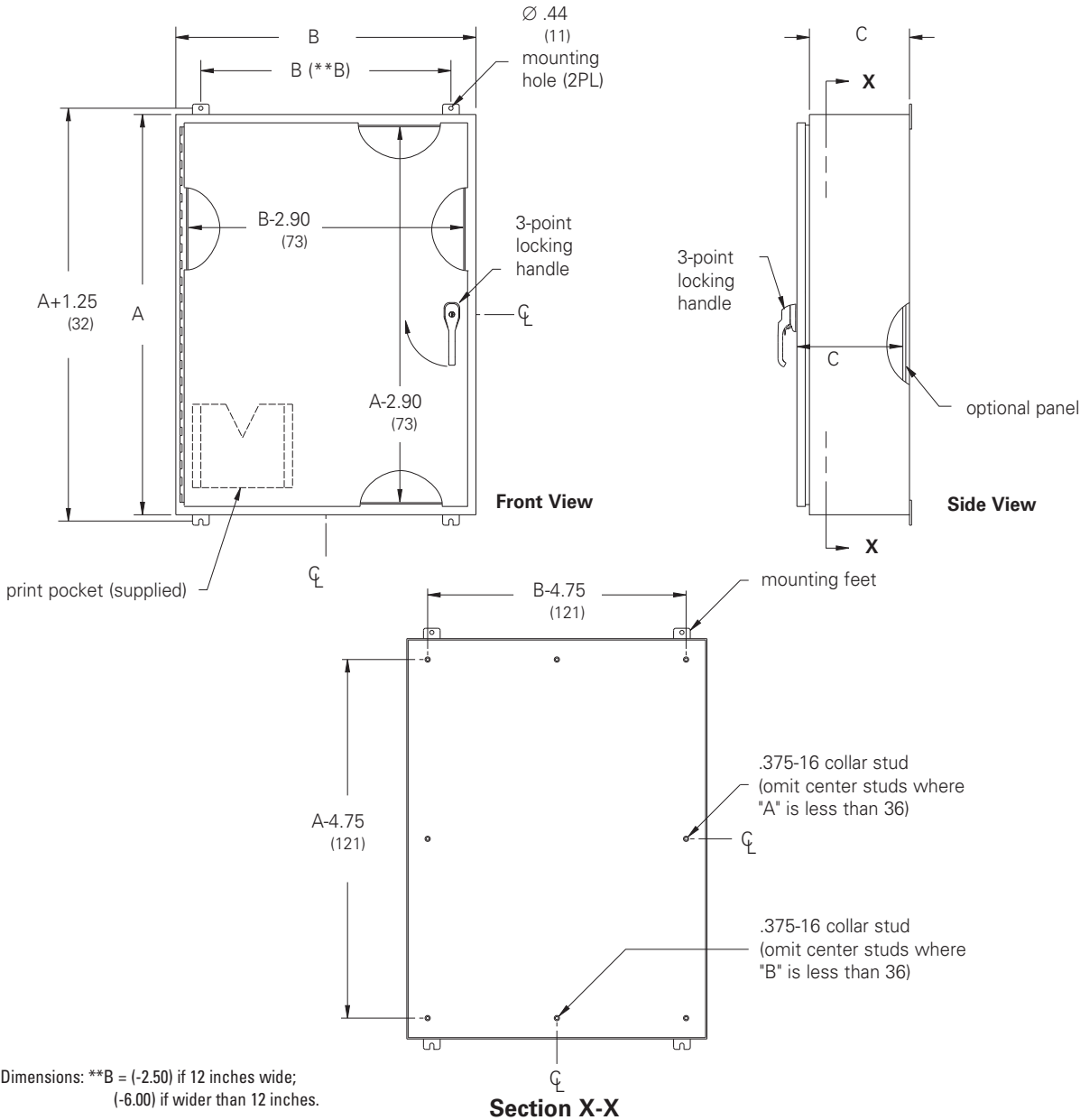
Type 4 Panel Enclosures

Enclosure Catalog Number	Enclosure Size Height x Width x Depth A x B x C		Gauge	Panel Catalog Number	Conductive Catalog Number	Panel Size Panel Height x Width	
	in.	mm				in.	mm
24206-43PT	24 x 20 x 6	609 x 508 x 152	16	AW2420P	AW2420GP	20.87 x 16.87	530 x 429
24208-43PT	24 x 20 x 8	609 x 508 x 203	16	AW2420P	AW2420GP	20.87 x 16.87	530 x 429
24248-43PT	24 x 24 x 8	609 x 609 x 203	14	AW2424P	AW2424GP	20.87 x 20.87	530 x 530
30248-43PT	30 x 24 x 8	762 x 609 x 203	14	AW3024P	AW3024GP	26.87 x 20.87	682 x 530
30308-43PT	30 x 30 x 8	762 x 762 x 203	14	AW3030P	AW3030GP	26.87 x 26.87	682 x 682
36248-43PT	36 x 24 x 8	914 x 609 x 203	14	AW3624P	AW3624GP	32.87 x 20.87	835 x 530
36308-43PT	36 x 30 x 8	914 x 762 x 203	14	AW3630P	AW3630GP	32.87 x 26.87	835 x 682
48368-43PT	48 x 36 x 8	1219 x 914 x 203	14	AW4836P	AW4836GP	44.87 x 32.87	1139 x 835
242010-43PT	24 x 20 x 10	609 x 508 x 254	16	AW2420P	AW2420GP	20.87 x 16.87	530 x 429
363010-43PT	36 x 30 x 10	914 x 762 x 254	14	AW3630P	AW3630GP	32.87 x 26.87	835 x 682
483610-43PT	48 x 36 x 10	1219 x 914 x 254	14	AW4836P	AW4836GP	44.87 x 32.87	1139 x 835

Notes: We can provide special sizes, finishes and other modifications. Consult the factory for your special requirements.

Wall-Mount Enclosures Type 4 Single-Door with 3-Point Locking Illustration Sheet and Catalog Number

Enclosure Catalog Number	Enclosure Size Height x Width x Depth A x B x C		Gauge	Panel Catalog Number	Conductive Catalog Number	Panel Size Panel Height x Width	
	in.	mm				in.	mm
242412-43PT	24 x 24 x 12	609 x 609 x 305	14	AW2424P	AW2424GP	20.87 x 20.87	530 x 530
302412-43PT	30 x 24 x 12	762 x 609 x 305	14	AW3024P	AW3024GP	26.87 x 20.87	682 x 530
363012-43PT	36 x 30 x 12	914 x 762 x 305	14	AW3630P	AW3630GP	32.87 x 26.87	835 x 682
363612-43PT	36 x 36 x 12	914 x 914 x 305	14	AW3636P	AW3636GP	32.87 x 32.87	835 x 835
483612-43PT	48 x 36 x 12	1219 x 914 x 305	14	AW4836P	AW4836GP	44.87 x 32.87	1139 x 835
603612-43PT	60 x 36 x 12	1524 x 914 x 305	14	AW6036P	AW6036GP	56.87 x 32.87	1444 x 835
483616-43PT	48 x 36 x 16	1219 x 914 x 406	14	AW4836P	AW4836GP	44.87 x 32.87	1139 x 835
603616-43PT	60 x 36 x 16	1524 x 914 x 406	14	AW6036P	AW6036GP	56.87 x 32.87	1444 x 835



Notes: Dimensions are in inches. Millimeters shown are for reference only. Data subject to change without notice.

Type 4 Panel Enclosures

Type 4 Panel Enclosures

Wall-Mount Enclosures

Type 4 Double-Door with 3-Point Locking

Data Sheet and Catalog Number



Type 4 Panel Enclosures

Application

- Houses electrical controls and instruments
- Intended for indoor or outdoor use
- Protects against windblown dust and rain, splashing water and hose directed water

Standards

- UL 508A listed, Type 4, 12
- CSA C22.2 No.94 certified, Type 4, 12
- Conforms to NEMA standard for Type 3, 4, 12

Finish

- Wash and phosphate undercoat
- ANSI 61 gray polyester powder finish

Accessories

- Panels
- Window Kits
- Floor stand kit
- Lights
- Replacement handle, T4PKHB, (see page 427)

Construction

- Enclosure and door are fabricated from (14) gauge steel
- All continuous welded seams are finished smooth
- Heavy-duty continuous hinges with stainless steel hinge pins
- Internal 3-point latching with keylocking and padlock handles
- Removable centerpost for easy panel installation
- Doors have a seamless poured in-place gasket
- Formed lip around enclosure opening diverts liquids and contaminants
- Ground stud provided on door and body
- Print pocket provided
- .375-16 colar studs are provided for mounting optional panel
- External mounting feet

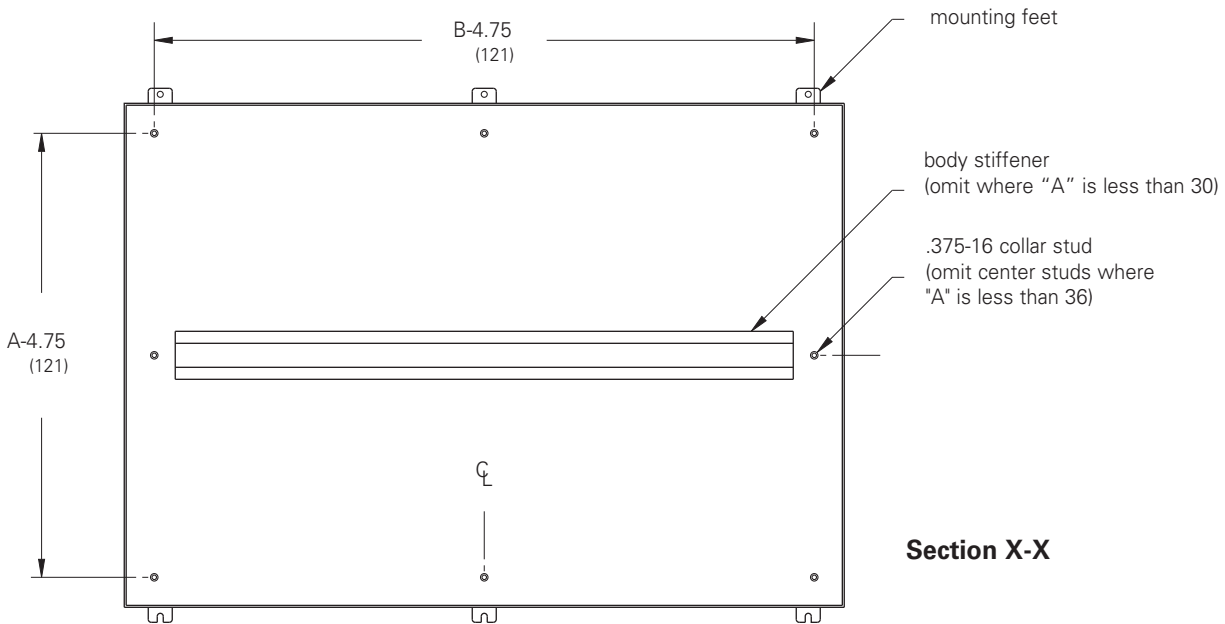
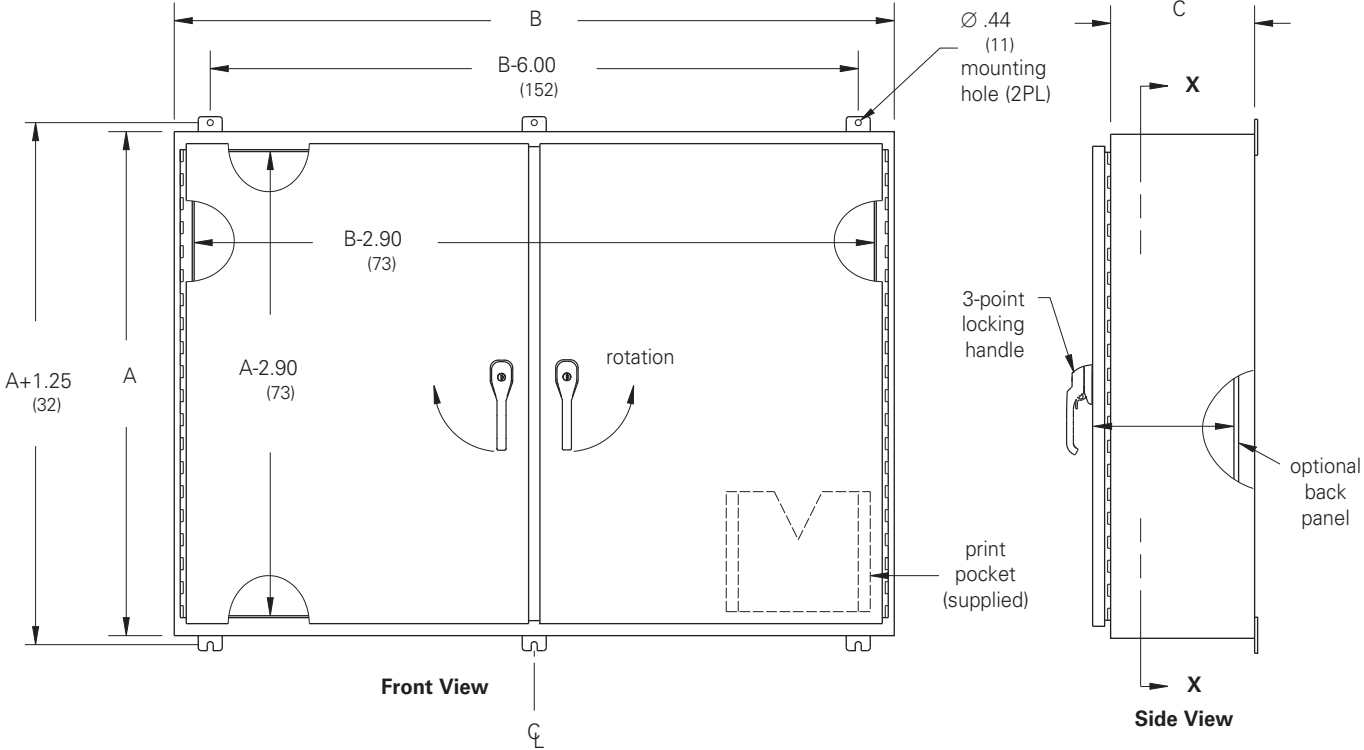
Discount Schedule: C2

Subclass: DF3

Enclosure Catalog Number	Enclosure Size Height x Width x Depth A x B x C		Panel Catalog Number	Conductive Panel Catalog Number	Panel Size Height x Width	
	in.	mm			in.	mm
244210-4D3PT	24.00 x 42.00 x 10.00	609 x 1067 x 254	AW4224P	--	38.87 x 20.87	987 x 530
304210-4D3PT	30.00 x 42.00 x 10.00	762 x 1067 x 254	AW4230P	AW4230GP	38.87 x 26.87	987 x 682
304810-4D3PT	30.00 x 48.00 x 10.00	762 x 1219 x 254	AW4830P	AW4830GP	44.87 x 26.87	1139 x 682
306010-4D3PT	30.00 x 60.00 x 10.00	762 x 1524 x 254	AW6030P	--	56.87 x 26.87	1444 x 682
364812-4D3PT	36.00 x 48.00 x 12.00	914 x 1219 x 305	AW4836P	AW4836GP	44.87 x 32.87	1139 x 835
366012-4D3PT	36.00 x 60.00 x 12.00	762 x 1524 x 305	AW6036P	AW6036GP	56.87 x 32.87	1444 x 835

Notes: We can provide special sizes, finishes and other modifications. Consult the factory for your special requirements.

Wall-Mount Enclosures Type 4 Double-Door with 3-Point Locking Illustration Sheet



Type 4 Panel Enclosures

Notes: Dimensions are in inches. Millimeters shown are for reference only. Data subject to change without notice.

Type 4 Panel Enclosures

Ground-Mount Enclosures Type 4 Double-Door Floor-Standing Data Sheet and Catalog Number



Type 4 Panel Enclosures

Application

- Houses electrical controls and instruments
- Intended for indoor or outdoor use
- Protects against windblown dust and rain, splashing water and hose directed water

Standards

- UL 508A listed, Type 4 and Type 12
- CSA C22.2 No.94 certified, Type 4 and Type 12
- Conforms to NEMA standard for Type 4 and Type 12

Finish

- Wash and phosphate undercoat
- ANSI 61 gray polyester powder finish

Accessories

- Panels
- Leg stabilizer kit
- Touch-up paint
- See Accessories section

Construction

- Enclosure and door are fabricated from (12) gauge steel
- All continuous welded seams are finished smooth
- Doors are secured to the body with removable concealed hinges and easy to remove stainless steel door clamps on three (3) sides
- Modern bevel profile on hinge side of enclosure doors
- Print pocket provided
- Each door has a padlock hasp with sealing hole provision
- Doors have a seamless poured in-place gasket
- Ground stud provided on doors and body
- Removable center post for complete front access
- Heavy gauge angle supports and .375-16 collar studs are provided for mounting optional panel
- Large lifting eyebolts are supplied
- Mounting legs are provided for floor mounting

Discount Schedule: C2

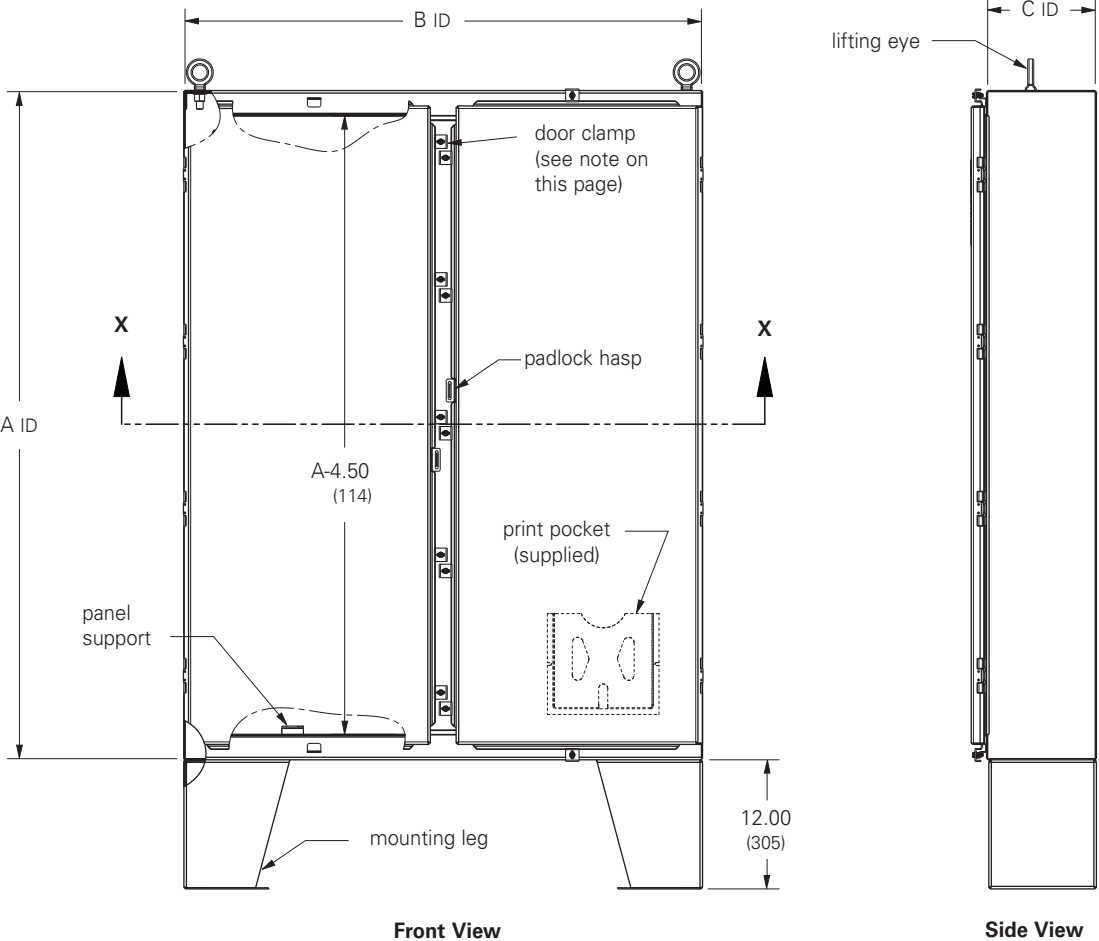
Subclass: D10

Enclosure Catalog Number	Enclosure Size Height x Width x Depth A x B x C		Panel Catalog Number	Panel Size Height x Width	
	in.	mm		in.	mm
624810-4FD	62.00 x 48.00 x 10.00	1575 x 1219 x 254	AW6048P	55.87 x 43.87	1419 x 1114
626012-4FD	62.00 x 60.00 x 12.00	1575 x 1524 x 305	AW6060P	55.87 x 55.87	1419 x 1419
746012-4FD	74.00 x 60.00 x 12.00	1880 x 1524 x 305	AW7260P	67.87 x 55.87	1724 x 1419
747212-4FD	74.00 x 72.00 x 12.00	1880 x 1829 x 305	AW7272P	67.87 x 67.87	1724 x 1724
747224-4FD	74.00 x 72.00 x 24.00	1880 x 1829 x 610	AW7272P	67.87 x 67.87	1724 x 1724

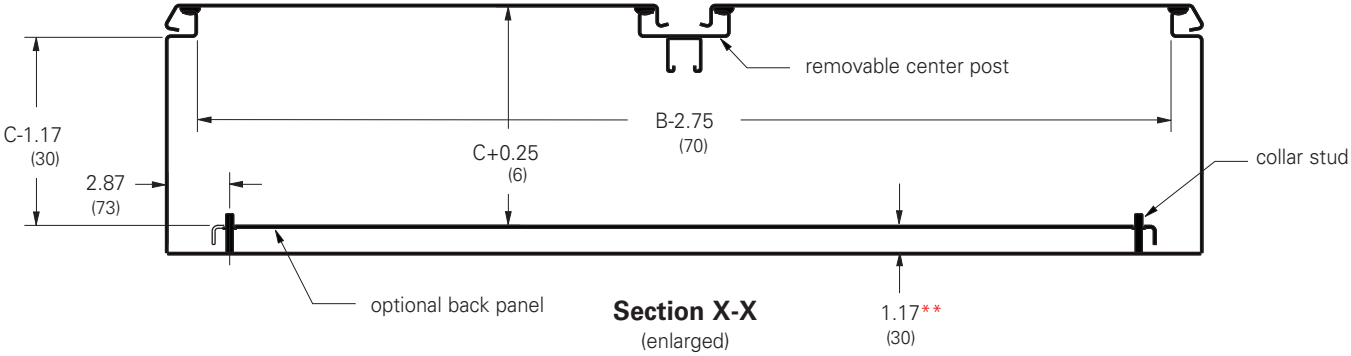
Notes: We can provide special sizes, finishes and other modifications. Consult the factory for your special requirements.

Ground-Mount Enclosures Type 4 Double-Door Floor-Standing Illustration Sheet

ID = Inside Dimension



Type 4 Panel Enclosures



** From top of panel stud flange to inside of enclosure

Notes: Clamps are mounted along three sides of the enclosure door. Spacing between clamps along side opposite the hinge does not exceed 15 inches. Four lifting eyes are furnished when C dimension is 24" (610 mm).
Dimensions are in inches. Millimeters shown are for reference only. Data subject to change without notice.

Type 4 Panel Enclosures

Ground-Mount Enclosures

Type 4 Double-Door Floor-Standing with Quarter-Turn Latches

Data Sheet and Catalog Number



Type 4 Panel Enclosures

Application

- Houses electrical controls and instruments
- Intended for indoor or outdoor use
- Protects against windblown dust and rain, splashing water and hose directed water

Standards

- UL 508A listed, Type 4 and Type 12
- CSA C22.2 No.94 certified, Type 4 and Type 12
- Conforms to NEMA standard for Type 3, Type 4, Type 12

Finish

- Wash and phosphate undercoat
- ANSI 61 gray polyester powder finish

Accessories

- Panels
- Panel Support Kit
- Panel Lifting Kit
- Leg stabilizer kit
- Lights
- Window kits

Construction

- Enclosure body (12) gauge and doors (14) gauge are fabricated from steel
- All continuous welded seams are finished smooth
- Doors are secured to the body with removable concealed hinges and quarter-turn flush latches on three (3) sides
- Modern bevel profile on both sides of enclosure doors
- Doors have a seamless poured in-place gasket
- Removable centerpost for easy panel installation
- Formed lip around enclosure opening diverts liquids and contaminants
- Ground stud provided on doors and body
- Print pocket provided
- Heavy gauge angle supports and .375-16 colar studs are provided for mounting optional panel
- Large lifting eyebolts
- Mounting legs

Discount Schedule: C2

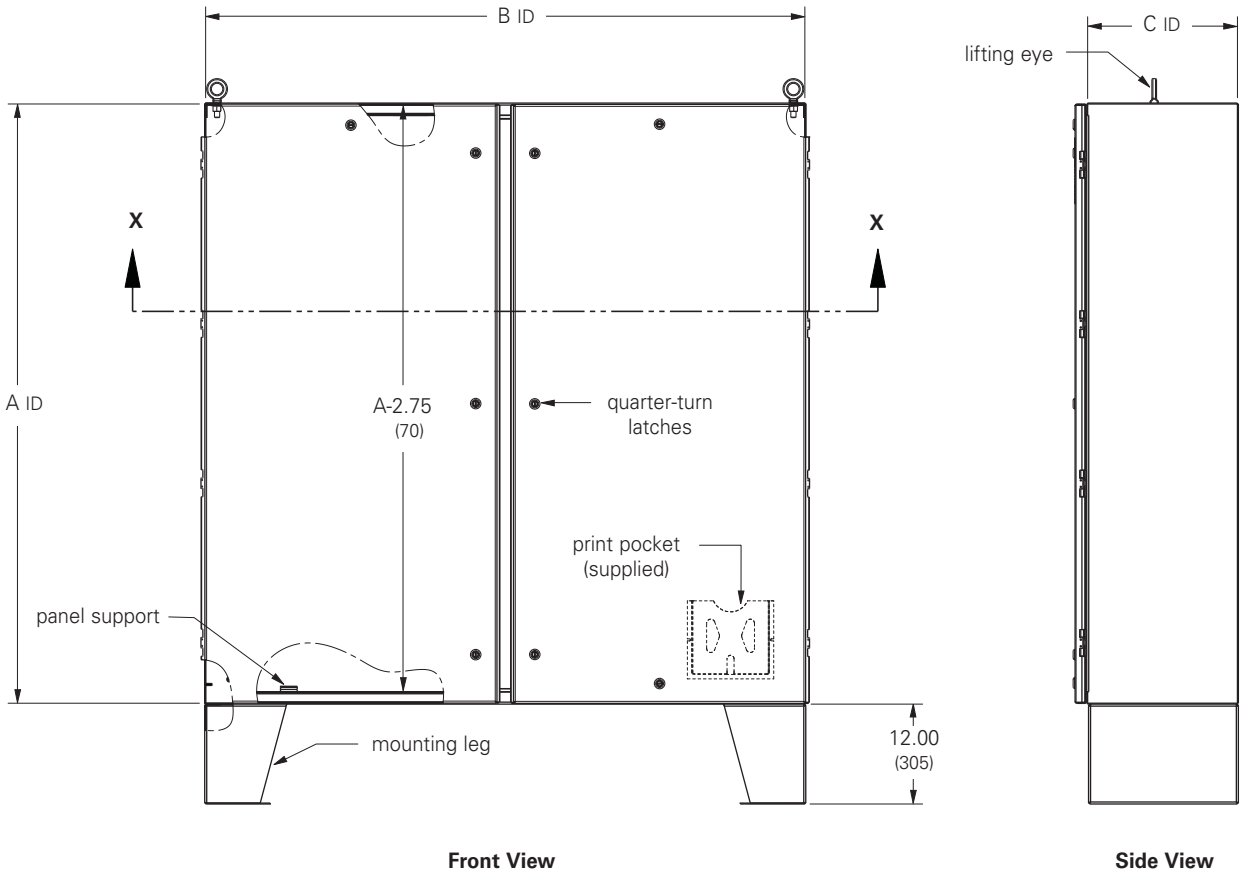
Subclass: DI2

Enclosure Catalog Number	Enclosure Size Height x Width x Depth A x B x C		Panel Catalog Number	Panel Size Height x Width	
	in.	mm		in.	mm
604812-4FDQT	60 x 48 x 12	1524 x 1219 x 305	AW6048P	55.87 x 43.87	1419 x 1114
606012-4FDQT	60 x 60 x 12	1524 x 1524 x 305	AW6060P	55.87 x 55.87	1419 x 1419
726012-4FDQT	72 x 60 x 12	1829 x 1524 x 305	AW7260P	67.87 x 55.87	1724 x 1419
727212-4FDQT	72 x 72 x 12	1829 x 1829 x 305	AW7272P	67.87 x 67.87	1724 x 1724
727224-4FDQT	72 x 72 x 24	1829 x 1829 x 609	AW7272P	67.87 x 67.87	1724 x 1724

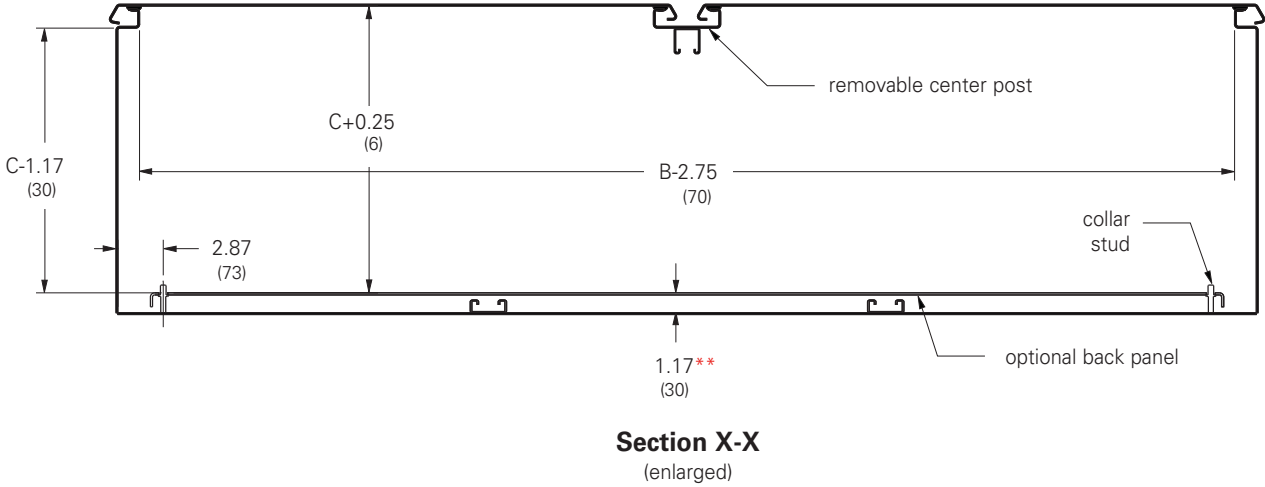
Notes: We can provide special sizes, finishes and other modifications. Consult the factory for your special requirements.

Ground-Mount Enclosures Type 4 Double-Door Floor-Standing with Quarter-Turn Latches Illustration Sheet

ID = Inside Dimension



Type 4 Panel Enclosures



** From top of panel stud flange to inside of enclosure

Notes: Four lifting eyes are furnished when C dimension is 24" (610 mm).
Dimensions are in inches. Millimeters shown are for reference only. Data subject to change without notice.

Type 4 Panel Enclosures

Ground-Mount Enclosures

Type 4 Double-Door Floor-Standing with 3-Point Locking Locking

Data Sheet and Catalog Number



Type 4 Panel Enclosures

Application

- Houses electrical controls and instruments
- Intended for indoor or outdoor use
- Protects against windblown dust and rain, splashing water and hose directed water

Standards

- UL 508A listed, Type 4 and Type 12
- CSA C22.2 No.94 certified, Type 4 and Type 12
- Conforms to NEMA standard for Type 3, Type 4, Type 12

Finish

- Wash and phosphate undercoat
- ANSI 61 gray polyester powder finish

Accessories

- Panels
- Panel Support Kit
- Panel Lifting Kit
- Leg stabilizer kit
- Lights
- Window kits
- Replacement handle, BD-PKHB, (see page 429)

Construction

- Enclosure and doors are fabricated from (12) gauge steel
- All continuous welded seams are finished smooth
- Doors are secured to the body with removable concealed hinges and a center locating 3-point key-locking and padlock handle mechanism
- Additional quarter turn latches provided at the top and bottom on all enclosure doors
- Modern bevel profile on both sides of enclosure doors
- Doors have a seamless poured in-place gasket
- Removable centerpost for easy panel installation
- Formed lip around enclosure opening diverts liquids and contaminants
- Ground stud provided on doors and body
- Print pocket provided
- Heavy gauge angle supports and .375-16 colar studs are provided for mounting optional panel
- Large lifting eyebolts
- Mounting legs

Discount Schedule: C2

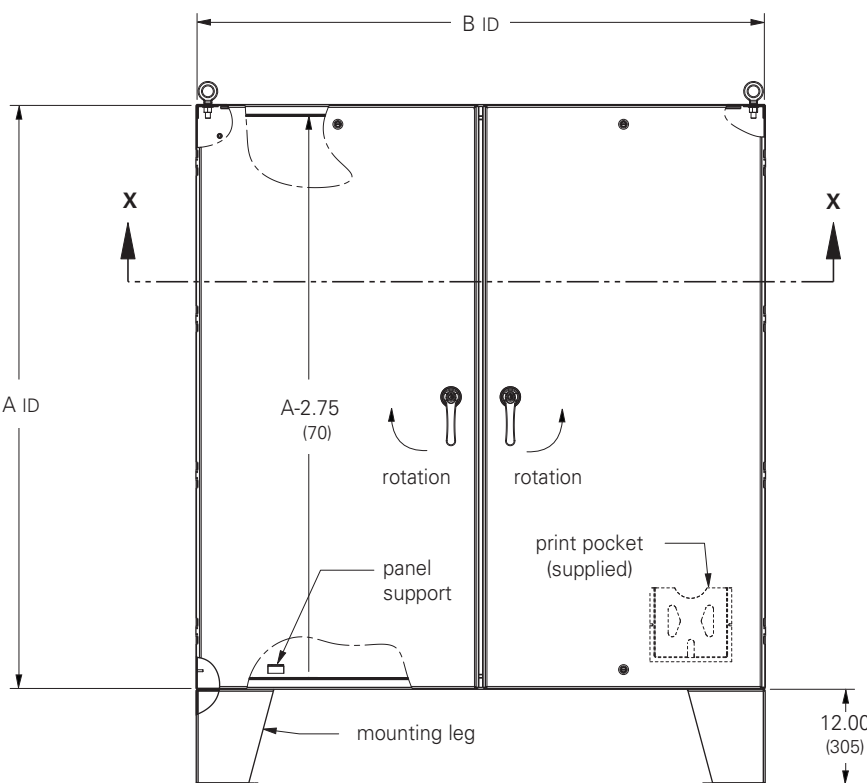
Subclass: DI3

Enclosure Catalog Number	Enclosure Size Height x Width x Depth A x B x C		Panel Catalog Number	Panel Size Height x Width	
	in.	mm		in.	mm
624810-4FD3PT	62 x 48 x 10	1575 x 1219 x 254	AW6048P	55.87 x 43.87	1419 x 1114
626012-4FD3PT	62 x 60 x 12	1575 x 1524 x 305	AW6060P	55.87 x 55.87	1419 x 1419
746012-4FD3PT	74 x 60 x 12	1879 x 1524 x 305	AW7260P	67.87 x 55.87	1724 x 1419
747212-4FD3PT	74 x 72 x 12	1879 x 1829 x 305	AW7272P	67.87 x 67.87	1724 x 1724
747224-4FD3PT	74 x 72 x 24	1879 x 1829 x 609	AW7272P	67.87 x 67.87	1724 x 1724

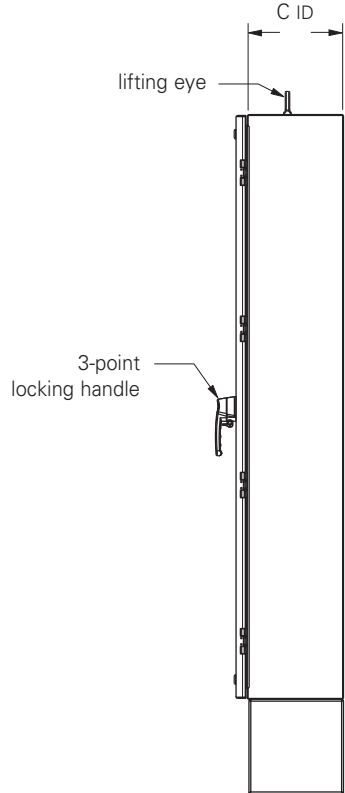
Notes: We can provide special sizes, finishes and other modifications. Consult the factory for your special requirements.

Ground-Mount Enclosures Type 4 Double-Door Floor-Standing with 3-Point Locking Illustration Sheet

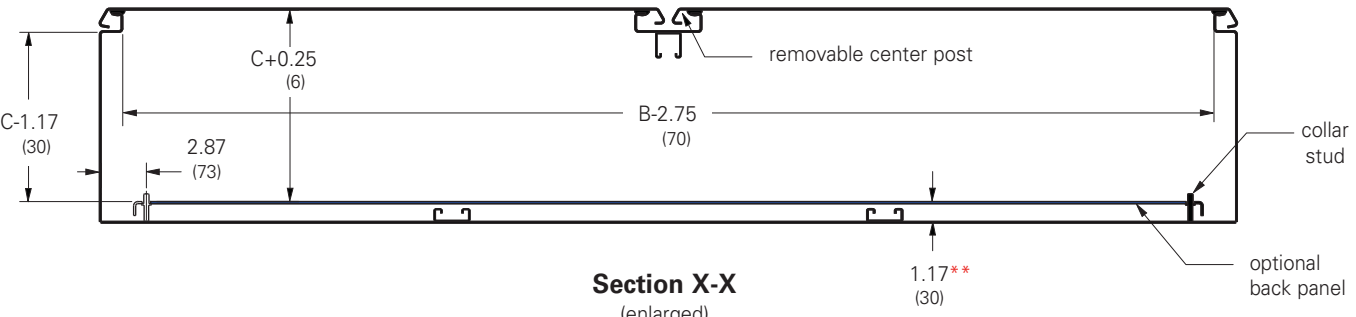
ID = Inside Dimension



Front View



Side View



Section X-X
(enlarged)

** From top of panel stud flange to inside of enclosure

Notes: Four lifting eyes are furnished when C dimension is 24" (610 mm).
Dimensions are in inches. Millimeters shown are for reference only. Data subject to change without notice.

Type 4 Panel Enclosures

Type 4 Panel Enclosures

Ground-Mount Enclosures Type 4 Free-Standing Data Sheet



Type 4 Panel Enclosures

Application

- Houses electrical controls and instruments
- Easy access panels or rack mounts for housing optional equipment
- Intended for indoor or outdoor use
- Protects against windblown dust and rain, splashing water and hose directed water

Standards

- UL 508A listed, Type 4 and Type 12
- CSA C22.2 No.94 certified, Type 4 and Type 12
- Conforms to NEMA standard for Type 4 and Type 12
- E.I.A. RS-310-D

Finish

- Wash and phosphate undercoat
- ANSI 61 gray polyester powder finish

Accessories

- Full and half panels
- Side and swing panels
- Channel mounting hardware
- Equipment rack mounts
- Touch-up paint
- See Accessories section

Construction

- Enclosure and door are fabricated from (12) gauge steel
- All continuous welded seams are finished smooth
- Door is secured to the body with removable concealed hinges and easy to remove stainless steel door clamps on three (3) sides
- Modern bevel profile on hinge side of enclosure door
- Door has a seamless poured in-place gasket
- Ground stud provided on door and body
- Each door has a padlock hasp with sealing hole provision
- Print pocket provided
- Large lifting eyebolts are supplied
- Mounting channels are welded inside for locating panels or rack mount equipment along enclosure depth
- A variety of optional panels and accessories are available (see accessories pages 180-191)

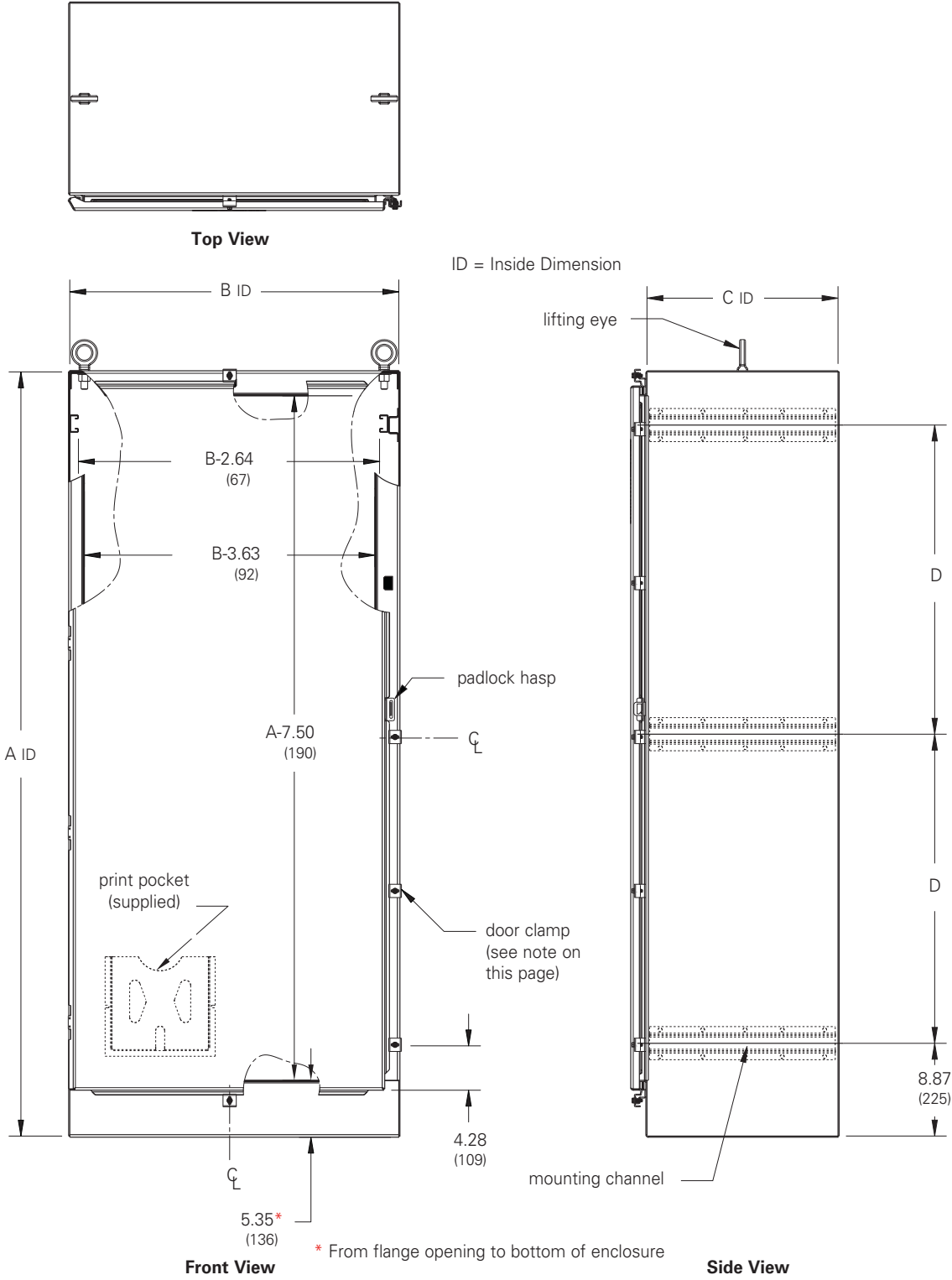
Discount Schedule: C2

Subclass: DLO

Enclosure Catalog Number	Enclosure Size Height x Width x Depth		D	
	A x B x C		in.	mm
	in.	mm	in.	mm
722518-4FS	72.00 x 25.00 x 18.00	1829 x 635 x 457	29.12	740
723118-4FS	72.00 x 31.00 x 18.00	1829 x 787 x 457	29.12	740
723718-4FS	72.00 x 37.00 x 18.00	1829 x 940 x 457	29.12	740
722524-4FS	72.00 x 25.00 x 24.00	1829 x 635 x 610	29.12	740
723124-4FS	72.00 x 31.00 x 24.00	1829 x 787 x 610	29.12	740
723724-4FS	72.00 x 37.00 x 24.00	1829 x 940 x 610	29.12	740

Notes: We can provide special sizes, finishes and other modifications. Consult the factory for your special requirements.

Ground-Mount Enclosures Type 4 Free-Standing Illustration Sheet and Catalog Number



Type 4 Panel Enclosures

Notes: Two lifting eyes are furnished on each enclosure. Clamps are mounted along three sides of the enclosure door. Spacing between clamps along side opposite the hinge does not exceed 15 inches. Dimensions are in inches. Millimeters shown are for reference only. Data subject to change without notice.

Type 4 Panel Enclosures

Ground-Mount Enclosures Type 4 Free-Standing with Quarter-Turn Latches Data Sheet and Catalog Number



Type 4 Panel Enclosures

Application

- Houses electrical controls and instruments
- Easy access panels or rack mounts for housing optional equipment
- Intended for indoor or outdoor use
- Protects against windblown dust and rain, splashing water and hose directed water

Standards

- UL 508A listed, Type 4 and Type 12
- CSA C22.2 No.94 certified, Type 4 and Type 12
- Conforms to NEMA standard for Type 3, Type 4, Type 12
- E.I.A. RS-310-D

Finish

- Wash and phosphate undercoat
- ANSI 61 gray polyester powder finish

Accessories

- Full and half panels
- Side and swing panels
- Panel Support Kit
- Panel Lifting Kit
- Channel mounting hardware
- Equipment Rack Mounts
- Lights
- Window kits

Construction

- Enclosure body (12) gauge and door (14) gauge are fabricated from steel
- All continuous welded seams are finished smooth
- Door is secured to the body with removable concealed hinges and quarter-turn flush latches on three (3) sides
- Modern bevel profile on both sides of enclosure door
- Door has a seamless poured in-place gasket
- Formed lip around enclosure opening diverts liquids and contaminants
- Ground stud provided on door and body
- Print pocket provided
- Mounting channels are welded inside for locating panels or rack-mount equipment along enclosure depth
- Provision for mounting fluorescent light
- Large lifting eyebolts

Discount Schedule: C2

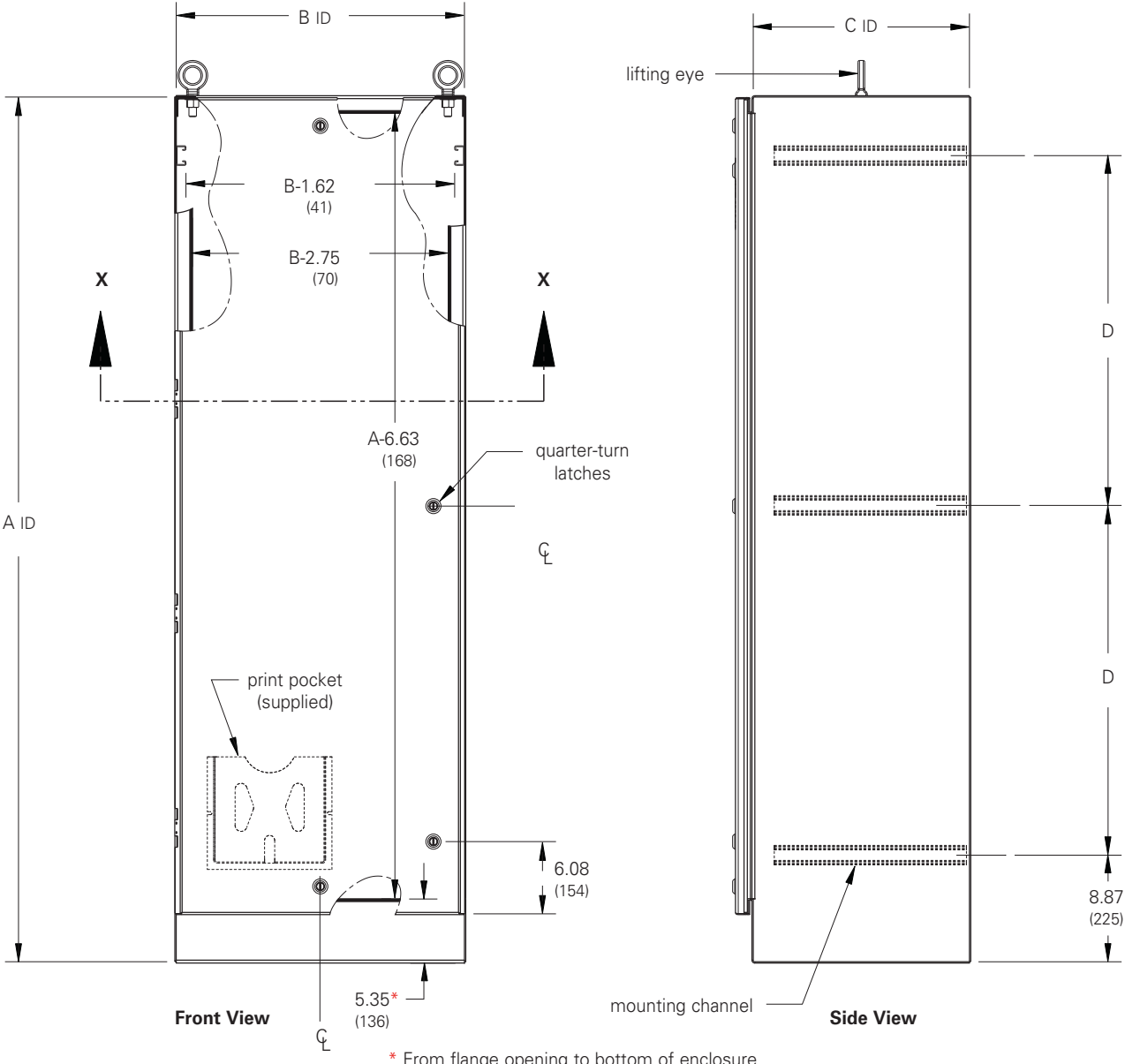
Subclass: DL2

Enclosure Catalog Number	Enclosure Size Height x Width x Depth A x B x C		D	
	in.	mm	in.	mm
722418-4FSQT	72 x 24 x 18	1829 x 609 x 457	29.12	739
723024-4FSQT	72 x 30 x 24	1829 x 762 x 609	29.12	739
723624-4FSQT	72 x 36 x 24	1829 x 914 x 609	29.12	739

Notes: We can provide special sizes, finishes and other modifications. Consult the factory for your special requirements.

Ground-Mount Enclosures Type 4 Free-Standing with Quarter-Turn Latches Illustration Sheet

ID = Inside Dimension



Type 4 Panel Enclosures

Notes: Two lifting eyes are furnished on each enclosure.
Dimensions are in inches. Millimeters shown are for reference only. Data subject to change without notice.

Type 4 Panel Enclosures

Ground-Mount Enclosures Type 4 Single Door Free-Standing with 3-Point Locking Data Sheet



Type 4 Panel Enclosures

Application

- Houses electrical controls and instruments
- Easy access panels or rack mounts for housing optional equipment
- Intended for indoor or outdoor use
- Protects against windblown dust and rain, splashing water and hose directed water

Standards

- UL 508A listed, Type 4 and Type 12
- CSA C22.2 No.94 certified, Type 4 and Type 12
- Conforms to NEMA standard for Type 3, 4, 12
- E.I.A. RS-310-D

Finish

- Wash and phosphate undercoat
- ANSI 61 gray polyester powder finish

Accessories

- Full and half panels
- Side and swing panels
- Panel Support Kit
- Panel Lifting Kit
- Channel mounting hardware
- Equipment Rack Mounts
- Lights
- Window kits
- Replacement handle, BD-PKHB, (see page 429)

Construction

- Enclosure and door are fabricated from (12) gauge steel
- All continuous welded seams are finished smooth
- Door is secured to the body with removable concealed hinges and a center locating 3-point key-locking and padlock handle mechanism
- Additional quarter turn latches provided at the top and bottom on all enclosure doors
- Modern bevel profile on both sides of enclosure door
- Door has a seamless poured in-place gasket
- Formed lip around enclosure opening diverts liquids and contaminants
- Ground stud provided on door and body
- Print pocket provided
- Mounting channels are welded inside for locating panels or rack-mount equipment along enclosure depth
- Provision for mounting fluorescent light
- Large lifting eyebolts

Discount Schedule: C2

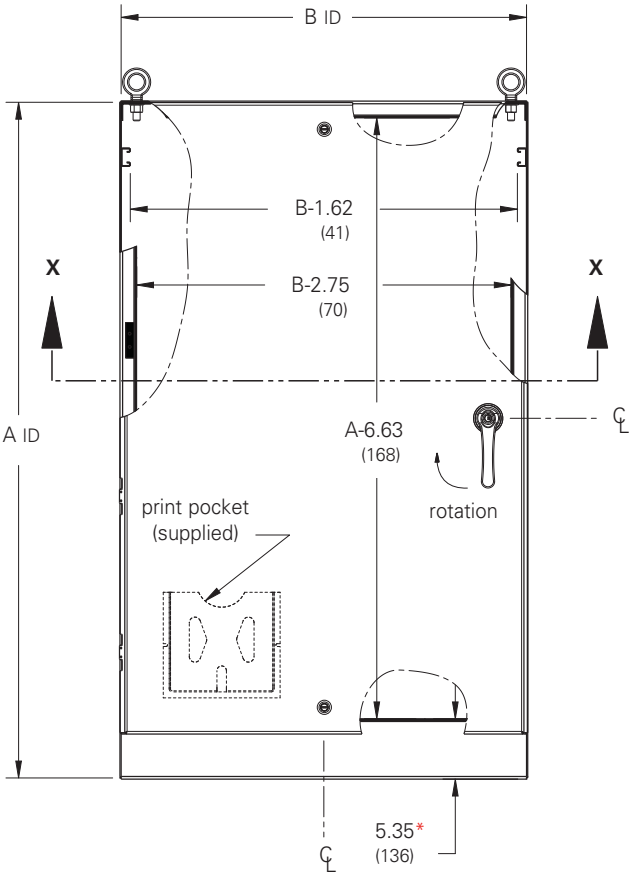
Subclass: DL3

Enclosure Catalog Number	Enclosure Size Height x Width x Depth A x B x C		D	
	in.	mm	in.	mm
	602418-4FS3PT	60 x 24 x 18	1524 x 609 x 457	23.12
722418-4FS3PT	72 x 24 x 18	1829 x 609 x 457	29.12	739
723018-4FS3PT	72 x 30 x 18	1829 x 762 x 457	29.12	739
723618-4FS3PT	72 x 36 x 18	1829 x 914 x 457	29.12	739
902420-4FS3PT	90 x 24 x 20	2286 x 610 x 508	38.12	968
903620-4FS3PT	90 x 36 x 20	2286 x 914 x 508	38.12	968
603624-4FS3PT	60 x 36 x 24	1524 x 914 x 609	23.12	587
722424-4FS3PT	72 x 24 x 24	1829 x 609 x 609	29.12	739
723024-4FS3PT	72 x 30 x 24	1829 x 762 x 609	29.12	739
723624-4FS3PT	72 x 36 x 24	1829 x 914 x 609	29.12	739
903624-4FS3PT	90 x 36 x 24	2286 x 914 x 609	38.12	968
722430-4FS3PT	72 x 24 x 30	1829 x 609 x 762	29.12	739
723630-4FS3PT	72 x 36 x 30	1829 x 914 x 762	29.12	739
723636-4FS3PT	72 x 36 x 36	1829 x 914 x 609	29.12	739
903636-4FS3PT	90 x 36 x 36	2286 x 914 x 914	38.12	968

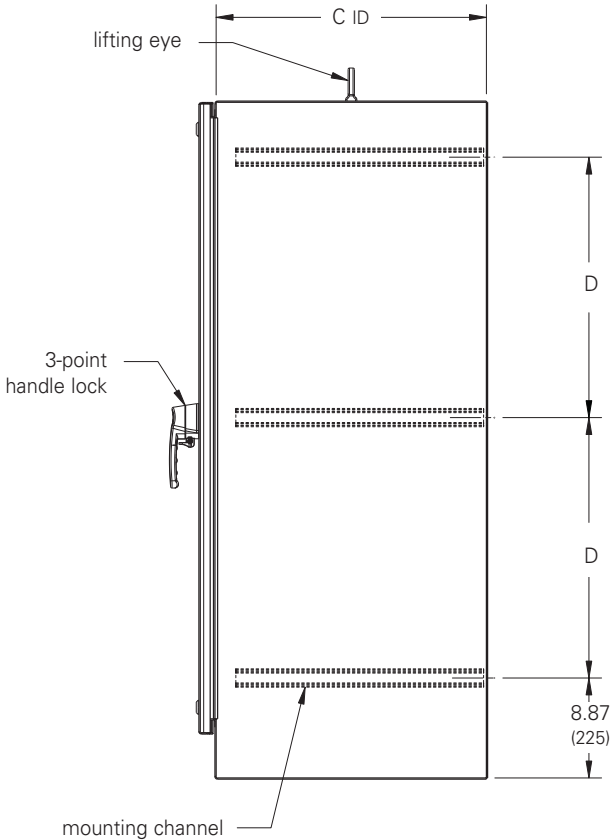
Notes: We can provide special sizes, finishes and other modifications. Consult the factory for your special requirements.

Ground-Mount Enclosures Type 4 Single Door Free-Standing with 3-Point Locking Illustration Sheet and Catalog Number

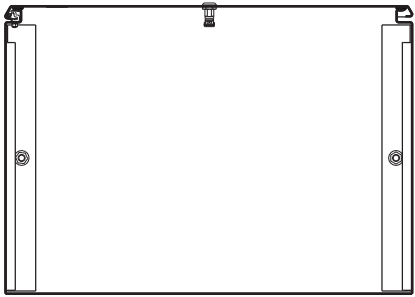
ID = Inside Dimension



Front View * From flange opening to bottom of enclosure



Side View



Section X-X

Notes: Four lifting eyes are furnished when C dimension is 30" (762 mm) or larger.
Dimensions are in inches. Millimeters shown are for reference only. Data subject to change without notice.

Type 4 Panel Enclosures

Type 4 Panel Enclosures

Ground-Mount Enclosures

Type 4 Single-Door Dual-Access Free-Standing with 3-Point Locking

Data Sheet



Application

- Houses electrical controls and instruments
- Easy access panels or rack mounts for housing optional equipment
- Intended for indoor or outdoor use
- Protects against windblown dust and rain, splashing water and hose directed water

Standards

- UL 508A listed, Type 4 and Type 12
- CSA C22.2 No.94 certified, Type 4 and Type 12
- Conforms to NEMA standard for Type 3, 4, 12
- E.I.A. RS-310-D

Finish

- Wash and phosphate undercoat
- ANSI 61 gray polyester powder finish

Accessories

- Full and half panels
- Side and swing panels
- Panel Support Kit
- Panel Lifting Kit
- Channel mounting hardware
- Equipment Rack Mounts
- Lights
- Window kits
- Replacement handle, BD-PKHB, (see page 429)

Construction

- Enclosure and doors are fabricated from (12) gauge steel
- All continuous welded seams are finished smooth
- Door is secured to the body with removable concealed hinges and a center locating 3-point key-locking and padlock handle mechanism
- Additional quarter turn latches provided at the top and bottom on all enclosure doors
- Modern bevel profile on both sides of enclosure door
- Door has a seamless poured in-place gasket
- Formed lip around enclosure opening diverts liquids and contaminants
- Ground stud provided on door and body
- Print pocket provided
- Mounting channels are welded inside for locating panels or rack-mount equipment along enclosure depth
- Provision for mounting fluorescent light
- Large lifting eyebolts

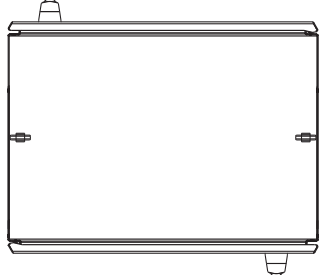
Discount Schedule: C2

Subclass: DL3

Notes: We can provide special sizes, finishes and other modifications. Consult the factory for your special requirements.

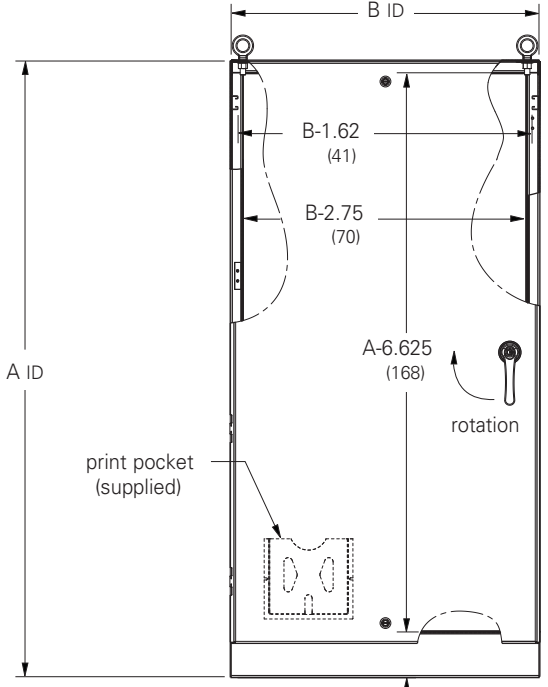
Ground-Mount Enclosures Type 4 Single-Door Dual-Access Free-Standing with 3-Point Locking Illustration Sheet and Catalog Number

Enclosure Catalog Number ANSI 61 Gray Carbon Steel	Enclosure Size Height x Width x Depth A x B x C		D	
	in.	mm	in.	mm
	722424-4FSDA3PT	72.00 x 24.00 x 24.00	1829 x 610 x 610	29.12
723024-4FSDA3PT	72.00 x 30.00 x 24.00	1829 x 762 x 610	29.12	740
723624-4FSDA3PT	72.00 x 36.00 x 24.00	1829 x 914 x 610	29.12	740
903624-4FSDA3PT	90.00 x 36.00 x 24.00	2286 x 914 x 610	38.12	968
722430-4FSDA3PT	72.00 x 24.00 x 30.00	1829 x 610 x 762	29.12	740
722436-4FSDA3PT	72.00 x 24.00 x 36.00	1829 x 610 x 914	29.12	740
723636-4FSDA3PT	72.00 x 36.00 x 36.00	1829 x 914 x 914	29.12	740
903636-4FSDA3PT	90.00 x 36.00 x 36.00	2286 x 914 x 914	38.12	968

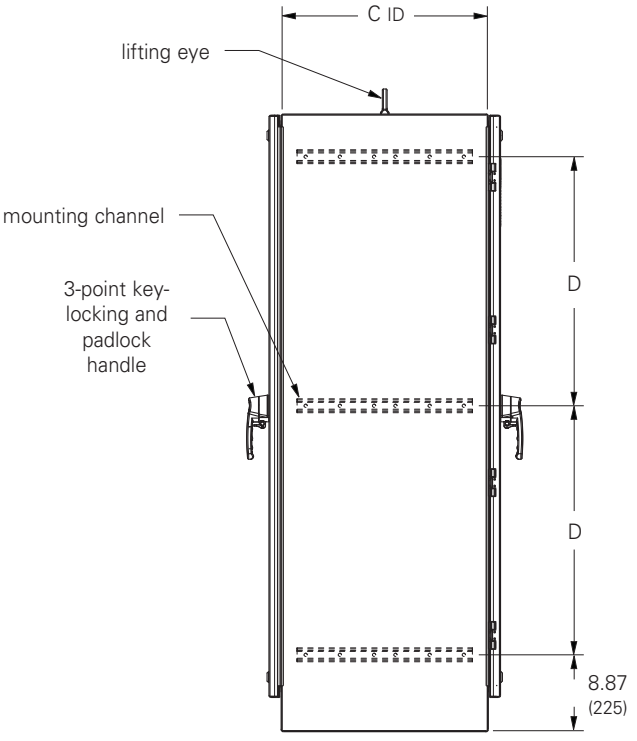


Top View

ID = Inside Dimension



Front View



Side View

Notes: Four lifting eyes are furnished when C dimensions is 30.00 (762 mm) or more.
Dimensions are in inches. Millimeters shown are for reference only. Data subject to change without notice.

Type 4 Panel Enclosures

Type 4 Panel Enclosures

Ground-Mount Enclosures Type 4 EnviroShield™ Free-Standing with 3-Point Locking Data Sheet



Application

- Houses electrical controls and electrical instruments in harsh environments
- Provides quick and easy access indoors and out
- Protects against circulating dust, falling dirt, dripping non-corrosive liquids, rain, sleet, ice, splashing and hose directed water

Standards

- UL 508A listed, Type 3R, Type 4, Type 4X, Type 12
- Conforms to NEMA standard for Type 3R, Type 4, Type 4X, Type 12
- NSF Criteria C-2
- E.I.A. RS-310-D

Finish

- Type 4 enclosures have a washed and phosphate undercoat with ANSI 61 gray polyester powder inside and out

Accessories

- Full and half panels
- Side and swing panels
- Center post
- Channel mounting hardware
- Touch-up paint
- Climate control
- Mounting legs
- Rack mounting angles
- Swing out mounting frames
- See Accessories section
- Replacement handle, BD-PKHB (see page 429).

Construction

- Enclosure and door are fabricated from (12) gauge steel
- All continuous welded seams are finished smooth
- Doors are secured to the body with removable concealed hinges and a center locating 3-point key-locking and padlock handle mechanism
- Modern bevel profile on both sides of enclosure doors
- Removable center post
- Doors have a Neoprene IV2 closed cell gasket
- Ground studs provided on doors and body
- Print pocket provided
- Large lifting eyes are integrated with sides of enclosure
- Mounting channels are welded inside for locating panels or rack mounts along enclosure depth, as well as mounting studs for fixed panels
- Swing panels, single full and single half panels can be installed in double-door enclosures when the center post is used
- A variety of optional panels and accessories are available, (see pages 180-191)

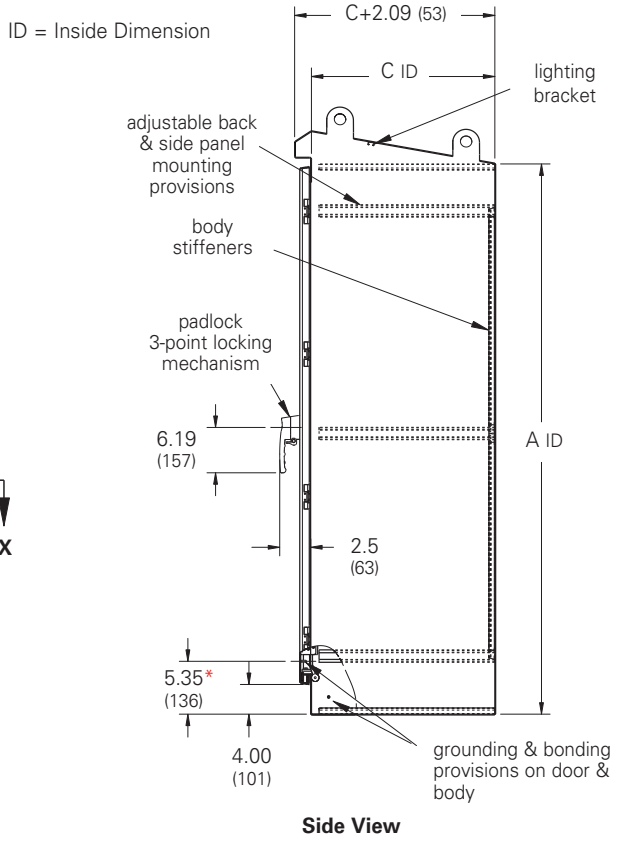
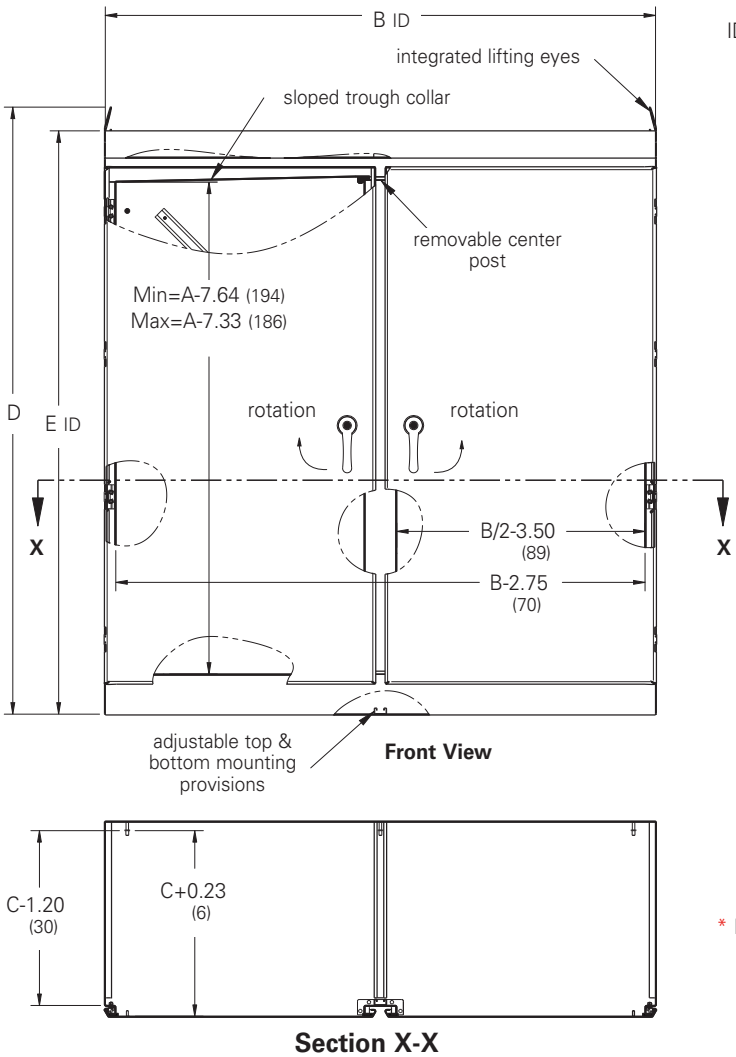
Discount Schedule: C2

Subclass: VR0

Notes: We can provide special sizes, finishes and other modifications. Consult the factory for your special requirements.

Ground-Mount Enclosures Type 4 EnviroShield™ Free-Standing with 3-Point Locking Illustration Sheet and Catalog Number

Enclosure Catalog Number ANSI 61 Gray Carbon Steel	Enclosure Size Height x Width x Depth A x B x C		D		E	
	in.	mm	in.	mm	in.	mm
	ES-604812-4	60.00 x 48.00 x 12.00	1524 x 1219 x 305	65.87	1673	64.44
ES-604816-4	60.00 x 48.00 x 16.00	1524 x 1219 x 406	65.87	1673	64.44	1637
ES-604820-4	60.00 x 48.00 x 20.00	1524 x 1219 x 508	65.87	1673	64.44	1637
ES-604824-4	60.00 x 48.00 x 24.00	1524 x 1219 x 609	65.87	1673	64.44	1637
ES-606012-4	60.00 x 60.00 x 12.00	1524 x 1524 x 305	65.87	1673	64.44	1637
ES-606016-4	60.00 x 60.00 x 16.00	1524 x 1524 x 406	65.87	1673	64.44	1637
ES-606020-4	60.00 x 60.00 x 20.00	1524 x 1524 x 508	65.87	1673	64.44	1637
ES-606024-4	60.00 x 60.00 x 24.00	1524 x 1524 x 609	67.87	1724	64.44	1637
ES-726012-4	72.00 x 60.00 x 12.00	1829 x 1524 x 305	77.87	1978	76.44	1941
ES-726016-4	72.00 x 60.00 x 16.00	1829 x 1524 x 406	77.87	1978	76.44	1941
ES-726020-4	72.00 x 60.00 x 20.00	1829 x 1524 x 508	77.87	1978	76.44	1941
ES-726024-4	72.00 x 60.00 x 24.00	1829 x 1524 x 609	77.87	1978	76.44	1941
ES-727212-4	72.00 x 72.00 x 12.00	1829 x 1829 x 305	77.87	1978	76.44	1941
ES-727216-4	72.00 x 72.00 x 16.00	1829 x 1829 x 406	77.87	1978	76.44	1941
ES-727220-4	72.00 x 72.00 x 20.00	1829 x 1829 x 508	77.87	1978	76.44	1941
ES-727224-4	72.00 x 72.00 x 24.00	1829 x 1829 x 609	79.87	2028	76.44	1941



* From flange opening to bottom of enclosure

Type 4 Panel Enclosures

Notes: Dimensions are in inches. Millimeters shown are for reference only. Data subject to change without notice.

Type 4 Panel Enclosures

Free-Standing Enclosure Accessories Type 4 Single-Door Full and Half Panel Illustration Sheet and Catalog Number

Discount Schedule: C2
Subclass: DSD

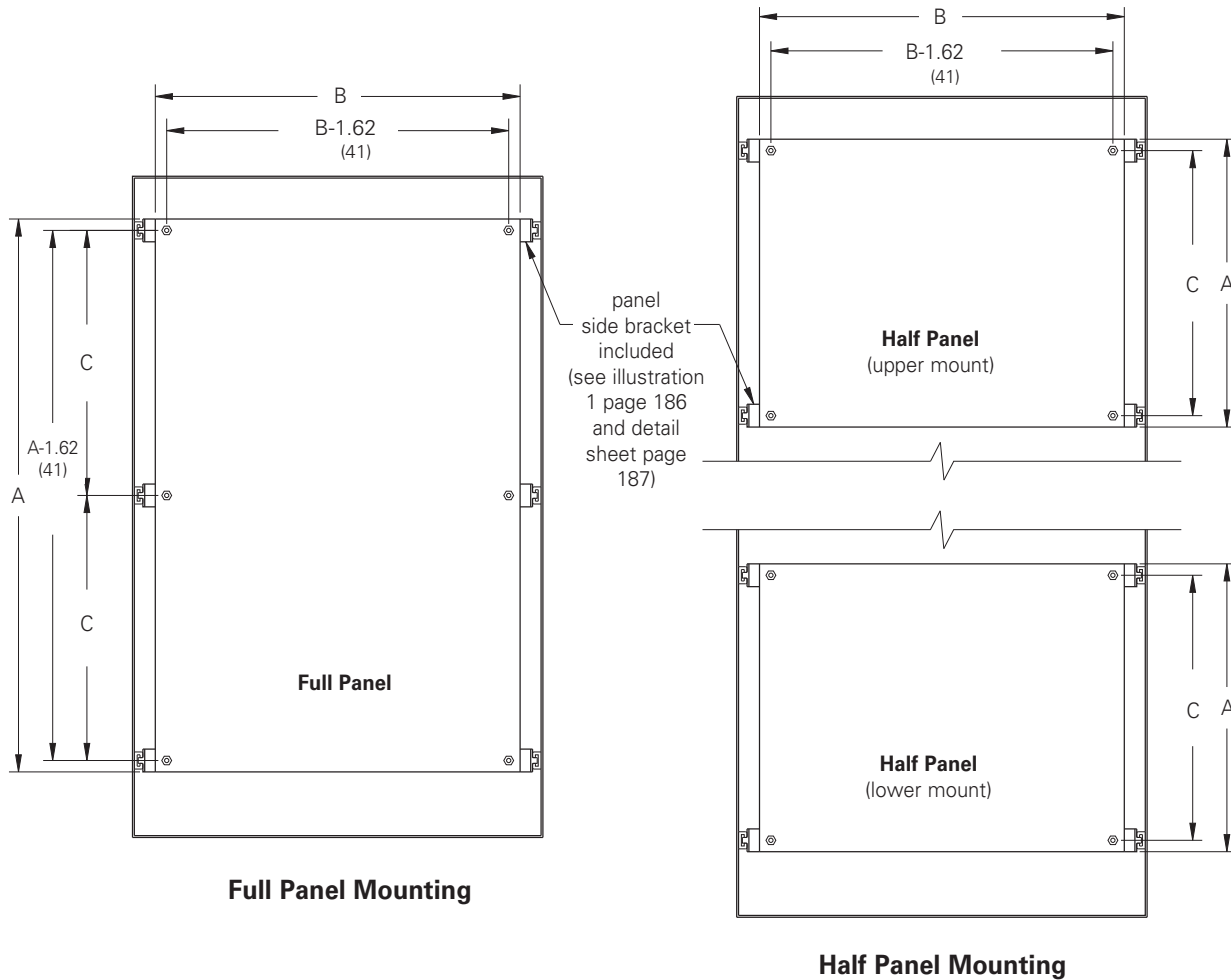
Full Panel (Single-Door)

Panel Catalog Number	Panel Size Height x Width A x B		C		Fits Enclosure Height x Width			
	in.	mm	in.	mm	in.	mm		
AF6024P	47.87	1216	19.87	505	23.12	587	60.00 x 24.00	1524 x 610
AF6036P	47.87	1216	31.87	809	23.12	587	60.00 x 36.00	1524 x 914
AF7224P	59.87	1521	19.87	505	29.12	740	72.00 x 24.00	1829 x 610
AF7230P	59.87	1521	25.87	657	29.12	740	72.00 x 30.00	1829 x 762
AF7236P	59.87	1521	31.87	809	29.12	740	72.00 x 36.00	1829 x 914

Half Panel (Single-Door)

Panel Catalog Number	Panel Size Height x Width A x B		C		Fits Enclosure Height x Width			
	in.	mm	in.	mm	in.	mm		
AF6024HP	24.75	629	19.87	505	23.12	587	60.00 x 24.00	1524 x 610
AF6036HP	24.75	629	31.87	809	23.12	587	60.00 x 36.00	1524 x 914
AF7224HP	30.75	781	19.87	505	29.12	587	72.00 x 24.00	1829 x 610
AF7230HP	30.75	781	25.87	657	29.12	587	72.00 x 30.00	1829 x 762
AF7236HP	30.75	781	31.87	809	29.12	587	72.00 x 36.00	1829 x 914

Type 4 Panel Enclosures



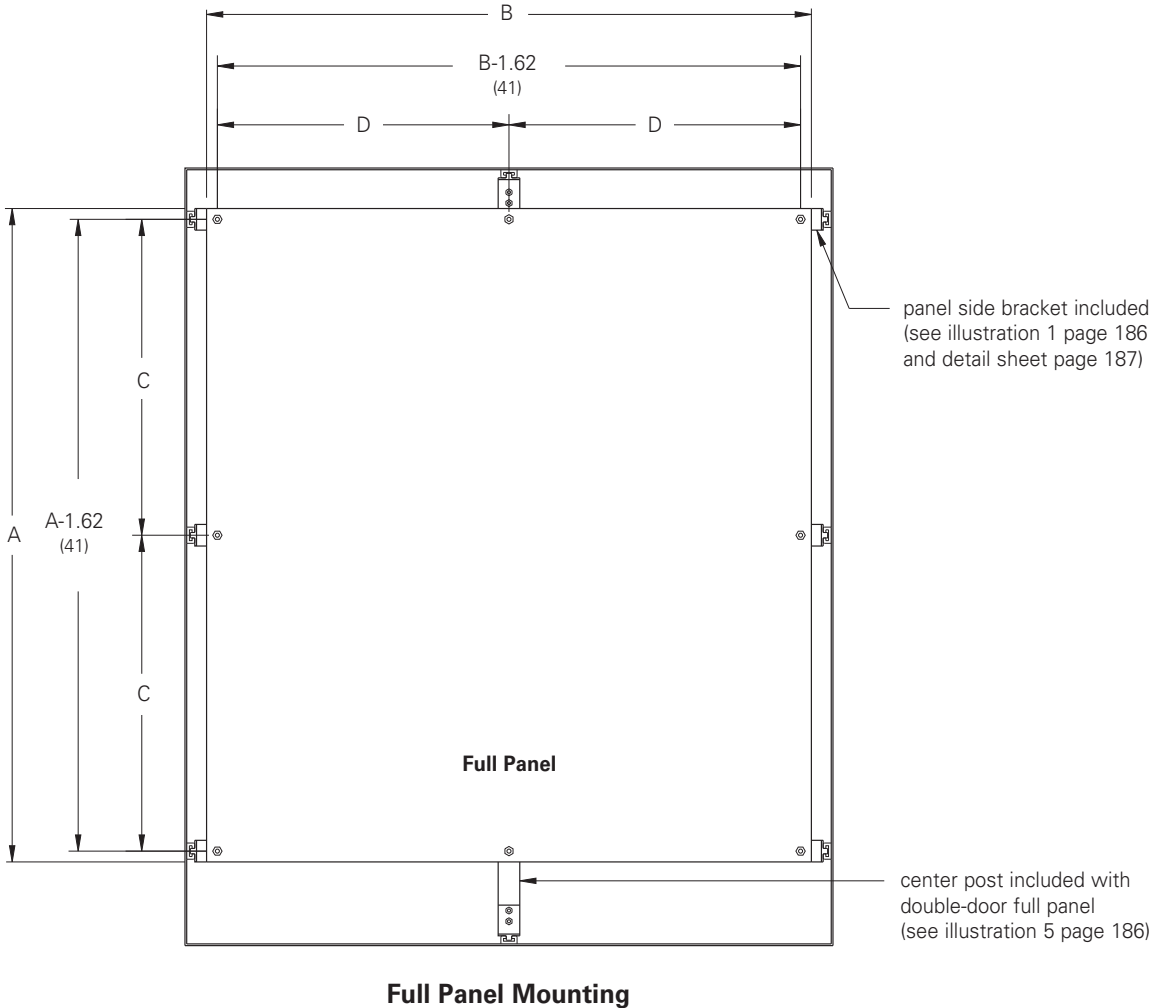
Note: Full and Half panel for single-door, single and dual-access enclosures are (12) gauge steel and furnished with panel side brackets and all hardware necessary for channel and panel mounting. Half Panels can be mounted in either the upper or lower portion of the enclosure. Free standing design permits the panel to adjust along the depth of the enclosure. With dual-access enclosures, Full and Half panels can be mounted back-to-back.

Notes: Dimensions are in inches. Millimeters shown are for reference only. Data subject to change without notice.

Free-Standing Enclosure Accessories Type 4 Double-Door Full Panel Illustration Sheet and Catalog Number

Discount Schedule: C2
Subclass: DSD

Panel Catalog Number	Panel Size Height x Width A x B		C		D		Fits Enclosure Height x Width	
	in.	mm	in.	mm	in.	mm	in.	mm
AF6048P	47.87 x 43.87	1216 x 1114	23.12	587	21.12	530	60.00 x 48.00	1524 x 1219
AF6060P	47.87 x 55.87	1216 x 1419	23.12	587	27.12	689	60.00 x 60.00	1524 x 1524
AF7248P	59.87 x 43.87	1521 x 1114	29.12	740	21.12	530	72.00 x 48.00	1829 x 1219
AF7260P	59.87 x 55.87	1521 x 1419	29.12	740	27.12	689	72.00 x 60.00	1829 x 1524
AF7272P	59.87 x 67.87	1521 x 1724	29.12	740	33.12	841	72.00 x 72.00	1829 x 1829



Full Panel Mounting

Notes: Full Panel for double-door, single and dual-access enclosures are (10) gauge steel and furnished with Panel Brackets, Center Post assembly, panel handle kit and all hardware necessary for channel and panel mounting. The Center Post assembly offers additional support of panel and equipment. Free-standing design permits the panel to adjust along the depth of the enclosure. With dual-access enclosures, Full and Half Panels can be mounted back-to-back.

Notes: Dimensions are in inches. Millimeters shown are for reference only. Data subject to change without notice.

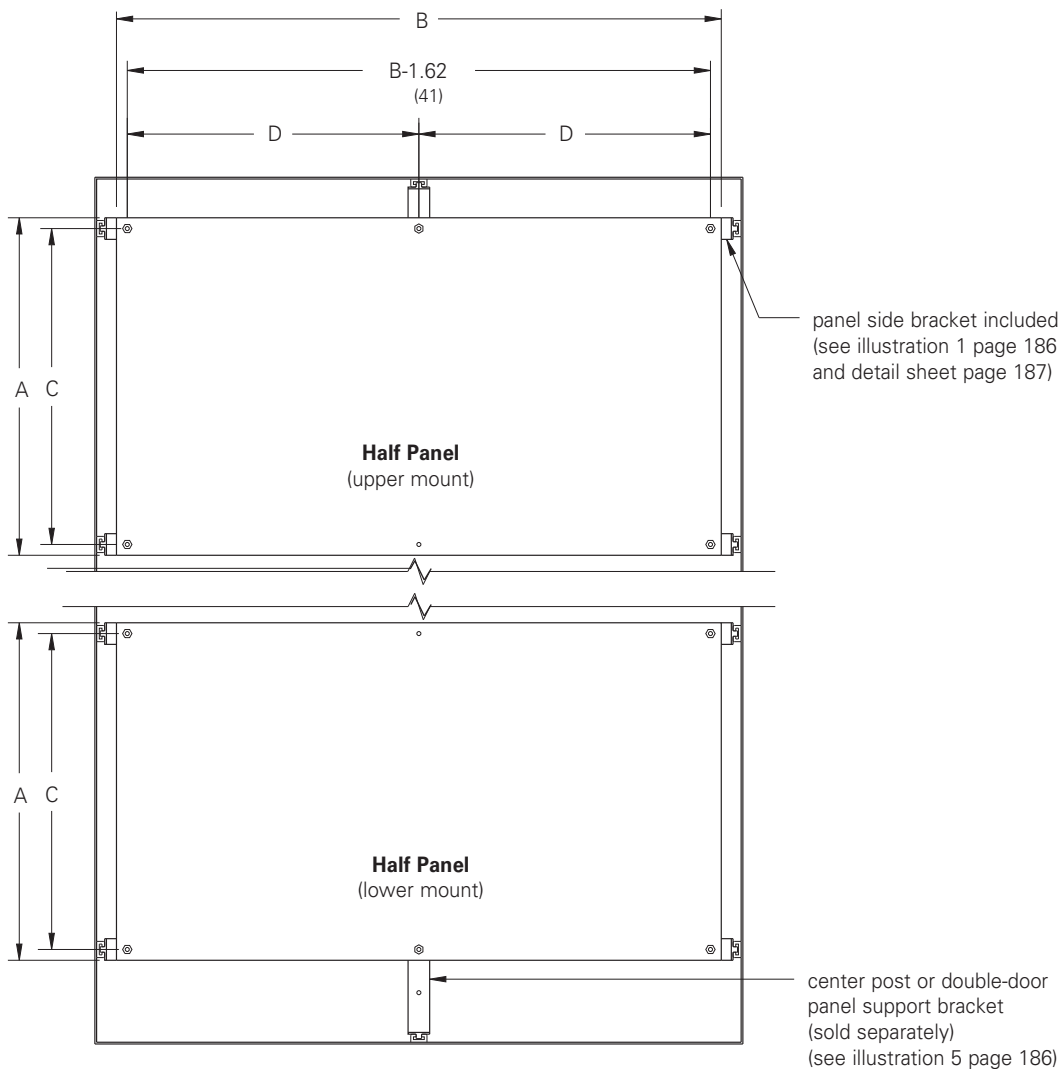
Type 4 Panel Enclosures

Type 4 Panel Enclosures

Free-Standing Enclosure Accessories Type 4 Double-Door Half Panel Illustration Sheet and Catalog Number

Discount Schedule: C2
Subclass: DSD

Panel Catalog Number	Panel Size Height x Width A x B		C		D		Fits Enclosure Height x Width			
	in.	mm	in.	mm	in.	mm	in.	mm		
AF6048HP	24.75	43.87	629	1114	23.12	587	21.12	536	60.00x48.00	1524x1219
AF7248HP	30.75	43.87	781	1114	29.12	740	21.12	536	72.00x48.00	1829x1219
AF7260HP	30.75	55.87	781	1419	29.12	740	7.12	181	72.00x60.00	1829x1524
AF7272HP	30.75	67.87	781	1724	29.12	740	33.12	841	72.00x72.00	1829x1829



Half Panel Mounting

Note: Half panel for double-door, single and dual-access enclosures are (12) gauge steel and furnished with Panel Brackets and all hardware necessary for channel and panel mounting. **A Center Post assembly or a double-door panel support bracket (catalog number AFSUP2) for additional support of the panel is optional and sold separately.** Free-standing design permits the panel to adjust along the depth of the enclosure. With dual-access enclosures, Full and Half Panels can be mounted back-to-back.

Notes: Dimensions are in inches. Millimeters shown are for reference only. Data subject to change without notice.

Free-Standing Enclosure Accessories Type 4 Side Panel And Center Post Illustration Sheet and Catalog Number

Discount Schedule: C2

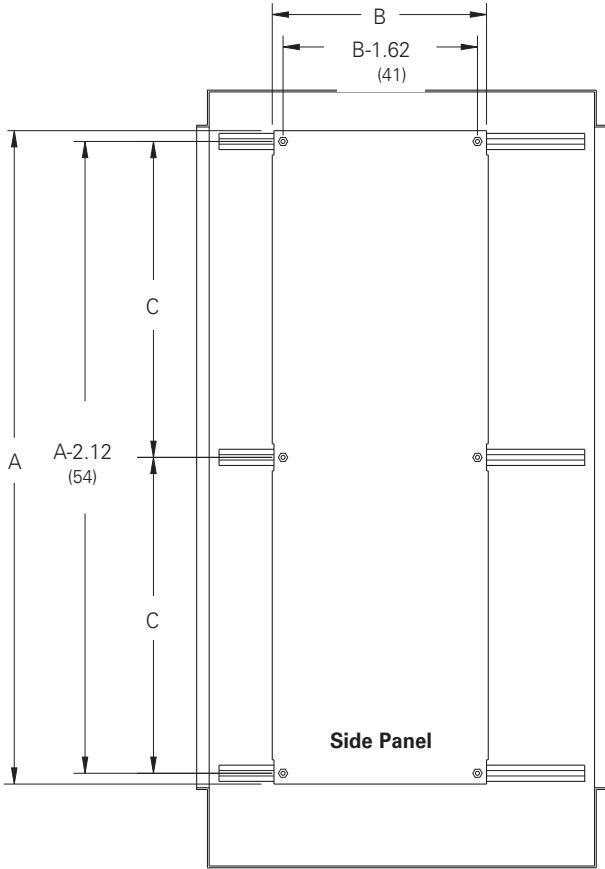
Side Panel - Subclass: DSD

Panel Catalog Number	Panel Size Height x Width A x B		C		Fits Enclosure Height		Depth*	
	in.	mm	in.	mm	in.	mm	in.	mm
AF6018SP	48.37	1229	23.12	587	60.00	1524	18.00	457
AF7218SP	60.37	1533	29.12	740	72.00	1829	18.00	457
AF7224SP	60.37	1533	29.12	740	72.00	1829	24.00	610

Center Post - Subclass: DSO

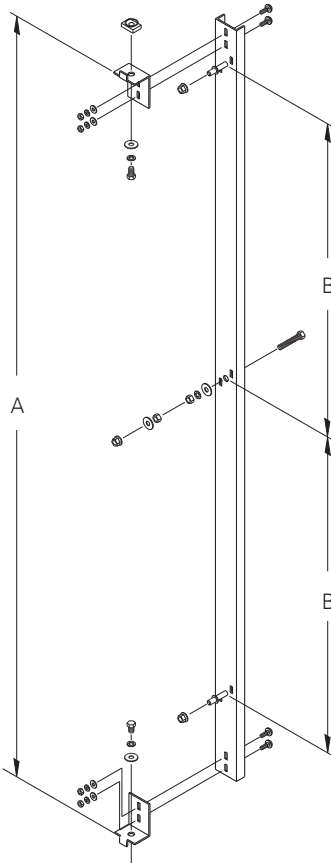
Center Post Catalog Number	A		B		Fits Enclosure Height	
	in.	mm	in.	mm	in.	mm
AF60CPS	58.37	1483	23.12	587	60.00	1524
AF72CPS	70.37	1787	29.12	740	72.00	1829

* Back panels restrict the movement of side panels and will prohibit mounting in some depths. See detail sheet for back panel spacing.



Side Panel Mounting

Side Panels are (12) gauge steel and furnished with hardware necessary for channel mounting. They will fit any width enclosure and are adjustable along its depth, however, when Full or Half Panels are installed, movement will be restricted and with some depths make side mounting prohibitive.



Center Post Assembly

Center Post assembly is furnished with all double-door Full Panels and includes hardware necessary for channel and panel mounting. The Center Post is optional on double-door Half Panels and Swing Panel mounting and must be ordered separately. It attaches to the top and bottom channels making it adjustable along the depth of the enclosure. See illustration #5 on the Detail Sheet-page 186.

Notes: Dimensions are in inches. Millimeters shown are for reference only. Data subject to change without notice.

Type 4 Panel Enclosures

Type 4 Panel Enclosures

Free-Standing Enclosure Accessories Type 4 Single-Door Full and Half Swing Panel Illustration Sheet and Catalog Number

Discount Schedule: C2
Subclass: DSD

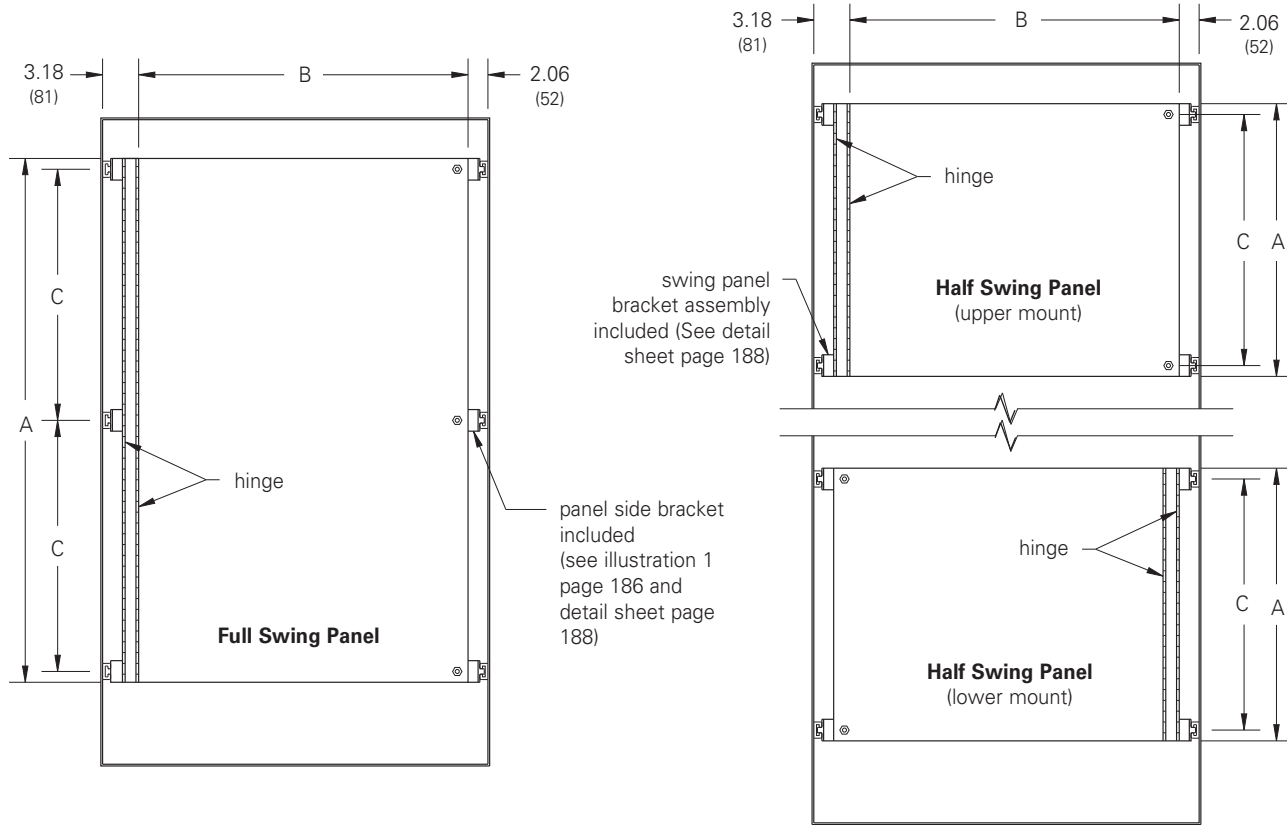
Full Swing Panel (Single-Door)

Panel Catalog Number	Panel Size Height x Width A x B		C		Fits Enclosure Height x Width	
	in.	mm	in.	mm	in.	mm
AF6024SWP	47.87	1216	23.12	587	60.00	1524
AF6036SWP	47.87	1216	23.12	587	60.00	1524
AF7224SWP	59.87	1521	29.12	740	72.00	1829
AF7230SWP	59.87	1521	29.12	740	72.00	1829
AF7236SWP	59.87	1521	29.12	740	72.00	1829

Half Swing Panel (Single-Door)

Panel Catalog Number	Panel Size Height x Width A x B		C		Fits Enclosure Height x Width	
	in.	mm	in.	mm	in.	mm
AF6024HWP	47.87	1216	23.12	587	60.00	1524
AF6036HWP	47.87	1216	23.12	587	60.00	1524
AF7224HWP	59.87	1521	29.12	740	72.00	1829
AF7230HWP	59.87	1521	29.12	740	72.00	1829
AF7236HWP	59.87	1521	29.12	740	72.00	1829

Type 4 Panel Enclosures



Full Swing Panel Mounting

Half Swing Panel Mounting

Note: Full Swing Panel and Half Swing Panel for single-door, single and dual-access enclosures are (12) gauge steel, have a dual hinge swing panel bracket and furnished with Panel Brackets and all hardware necessary for channel and panel mounting. Panels can be installed so they hinge on either the left or right side. In addition, Half Panels can be mounted in either the upper or lower portion of the enclosure. Free-standing design permits the panel to be adjustable along the depth of the enclosure. The dual hinge will allow the inner panel to swing completely out of the door opening when within 5.50 inches of the front. With dual-access enclosures, Full and Half Swing Panels can be mounted back-to-back.

Notes: Dimensions are in inches. Millimeters shown are for reference only. Data subject to change without notice.

Type 4 Panel Enclosures

Free-Standing Enclosure Accessories Type 4 Double-Door Full and Half Swing Panel Illustration Sheet and Catalog Number

Discount Schedule: C2
Subclass: DSD

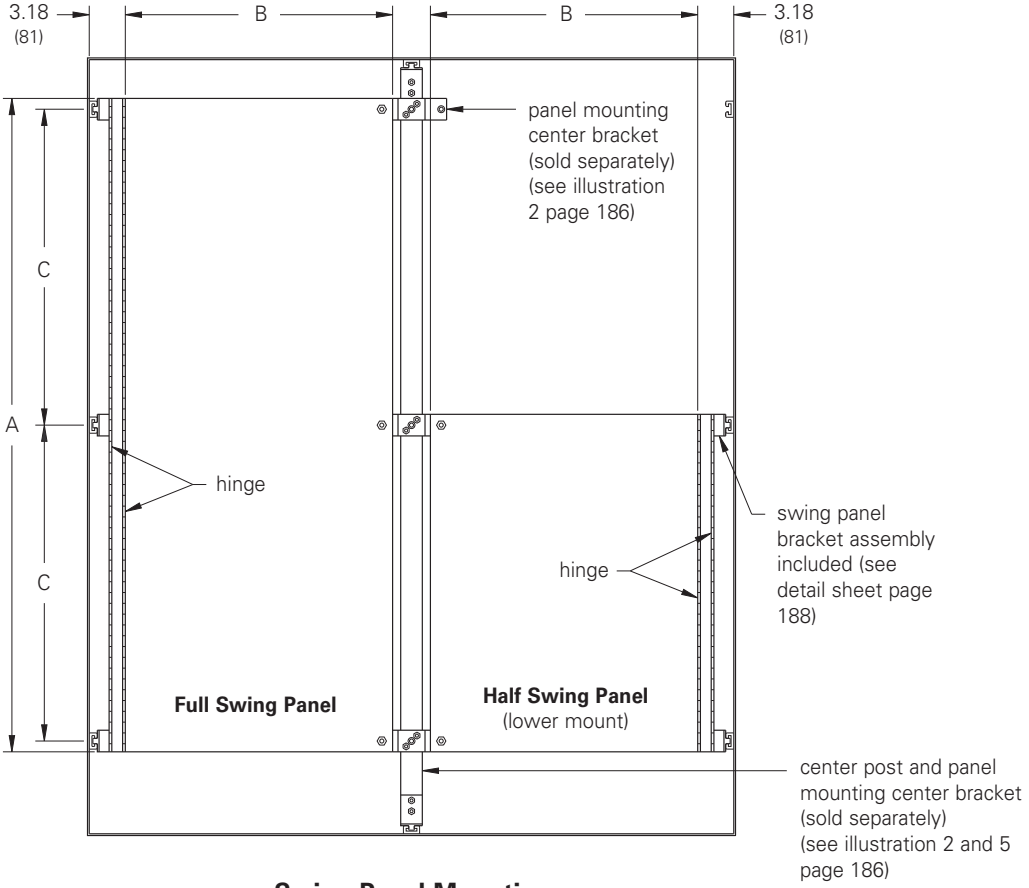
Full Swing Panel (Double-Door)

Panel Catalog Number	Panel Size Height x Width A x B		C		Fits Enclosure Height x Width	
	in.	mm	in.	mm	in.	mm
AF6024SWP	47.87	1216	23.12	587	60.00	1524
AF7224SWP	59.87	1521	29.12	740	72.00	1829
AF7230SWP	59.87	1521	29.12	740	72.00	1829
AF7236SWP	59.87	1521	29.12	740	72.00	1829

Half Swing Panel (Double-Door)

Panel Catalog Number	Panel Size Height x Width A x B		C		Fits Enclosure Height x Width	
	in.	mm	in.	mm	in.	mm
AF6024HSWP	24.75	629	23.12	587	60.00	1524
AF7224HSWP	30.75	781	29.12	740	72.00	1829
AF7230HSWP	30.75	781	29.12	740	72.00	1829
AF7236HSWP	30.75	781	29.12	740	72.00	1829

A Center Post assembly and Center Bracket must be ordered separately.



Swing Panel Mounting

Note: Full Swing Panel and Half Swing Panel for double-door, single and dual-access enclosures are (12) gauge steel, have a dual hinge swing panel bracket, and furnished with hardware necessary for side channel mounting. **A Center Post assembly and Center Bracket must be ordered separately.** Panels can be installed so they hinge either on the left or right side. In addition, Half Panels can be mounted in either the upper or lower portion of the enclosure. Free-standing design permits the panel to adjust along the depth of the enclosure. The dual hinge will allow the inner panel to swing completely out of the door opening when within 5.50 inches of the front. With dual-access enclosures, Full and Half Swing Panels can be mounted back-to-back.

Notes: Dimensions are in inches. Millimeters shown are for reference only. Data subject to change without notice.

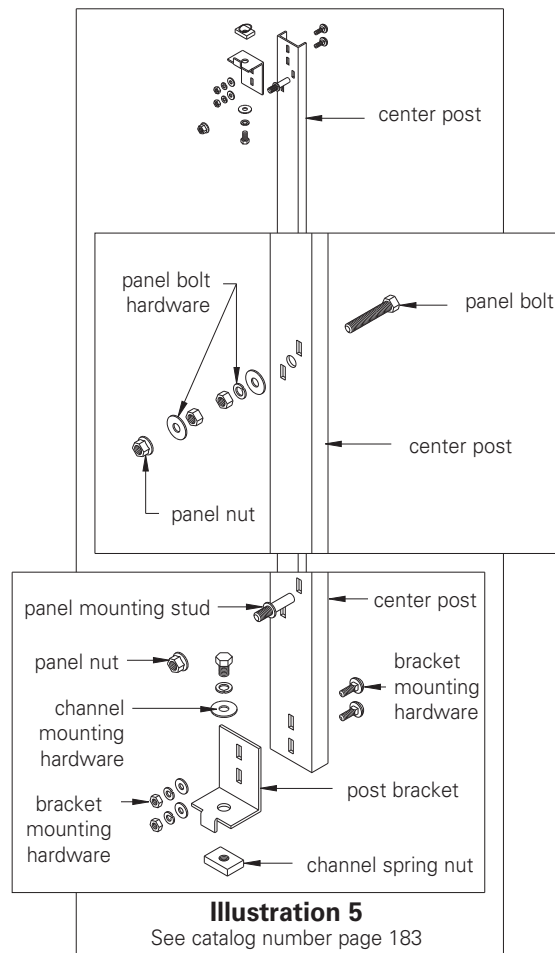
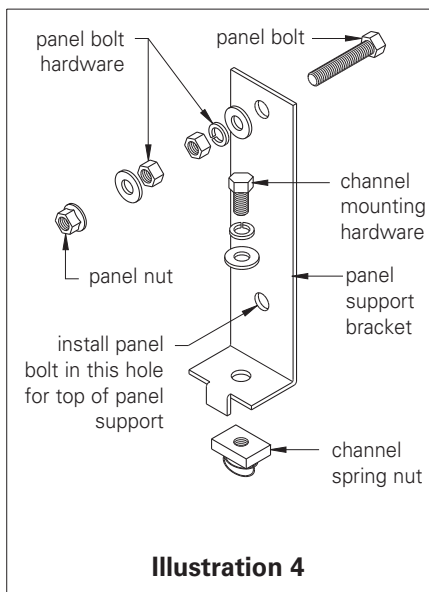
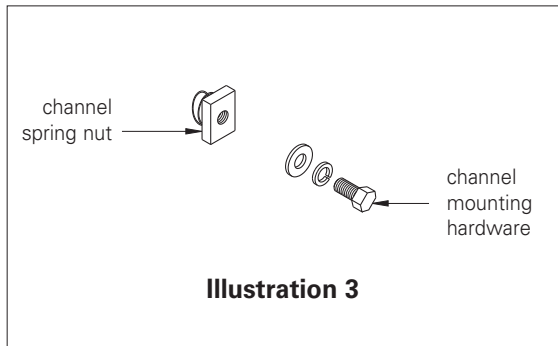
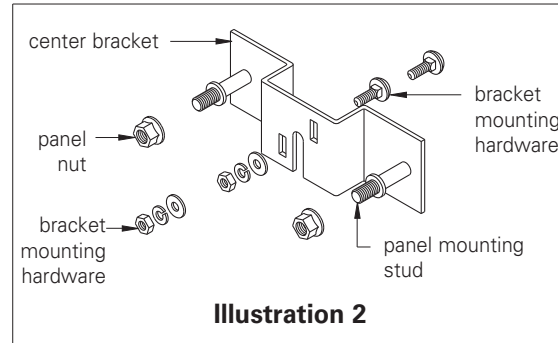
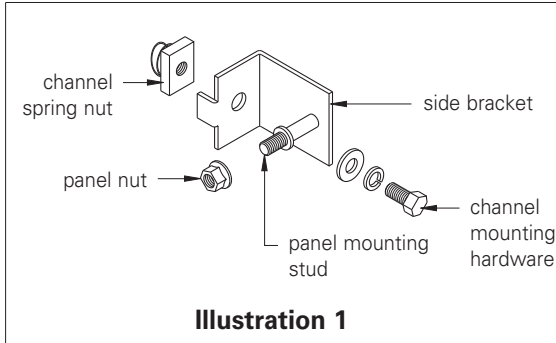
Type 4 Panel Enclosures

Free-Standing Enclosure Accessories Type 4 Miscellaneous Accessories Illustration Sheet and Catalog Number

Discount Schedule: C2
Subclass: DSO

Miscellaneous Accessories

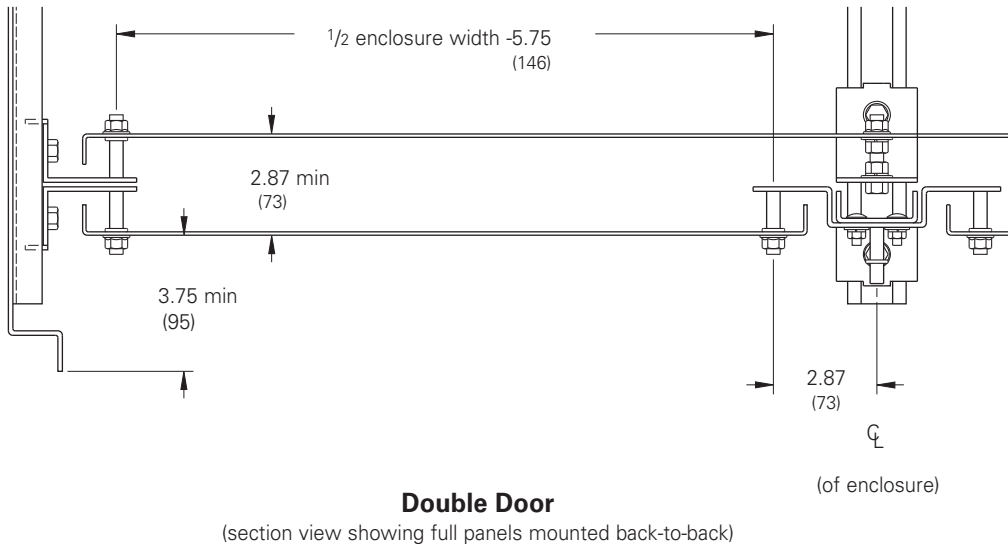
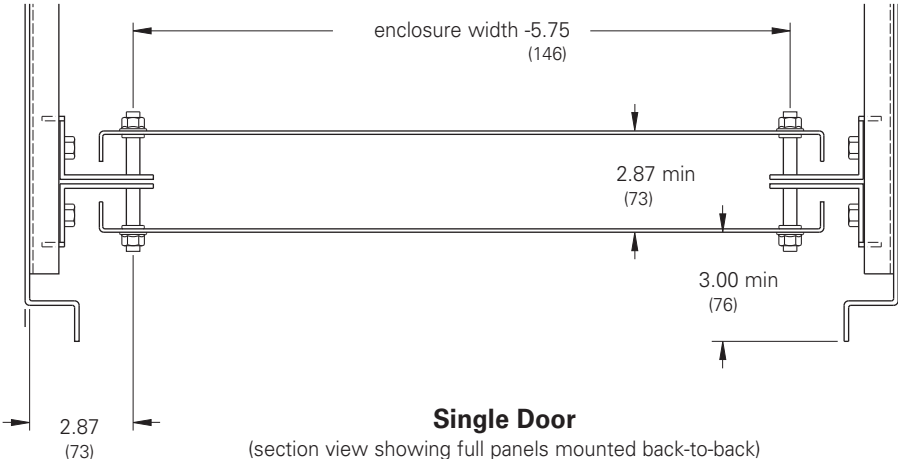
Catalog Number	Description	Illustration	Quantity
AFSBRKT1	Panel mounting side bracket	1	1
AFCBRKT3	Panel mounting center bracket	2	3
AFCMH3	Channel mounting hardware	3	3
AFPSUP2	Double-door panel support bracket	4	2



Notes: Dimensions are in inches. Millimeters shown are for reference only. Data subject to change without notice.

Free-Standing Enclosure Details
Type 4
Panel and Enclosure
Detail Sheet

Discount Schedule: C2
Subclass: DSD



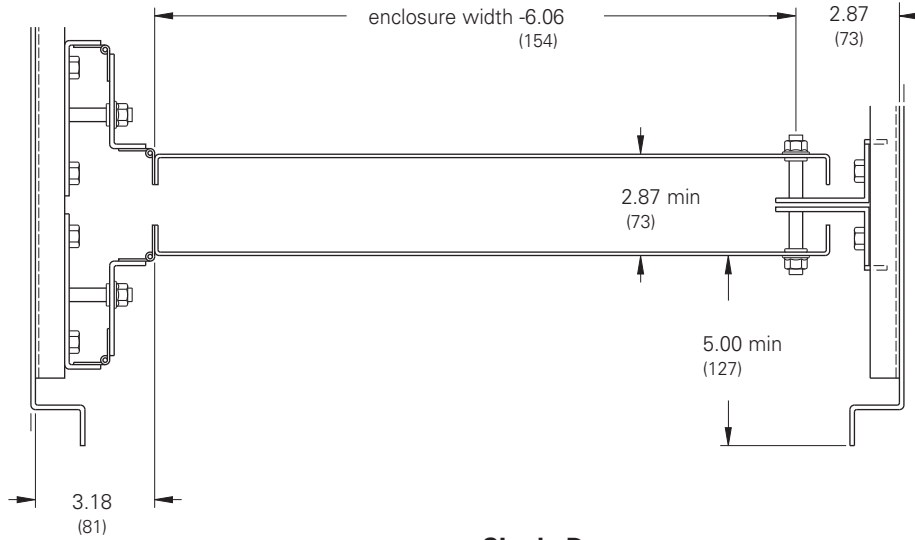
Notes: Dimensions are in inches. Millimeters shown are for reference only. Data subject to change without notice.

Type 4 Panel Enclosures

Type 4 Panel Enclosures

Free-Standing Enclosure Details Type 4 Swing Panel and Enclosure Detail Sheet

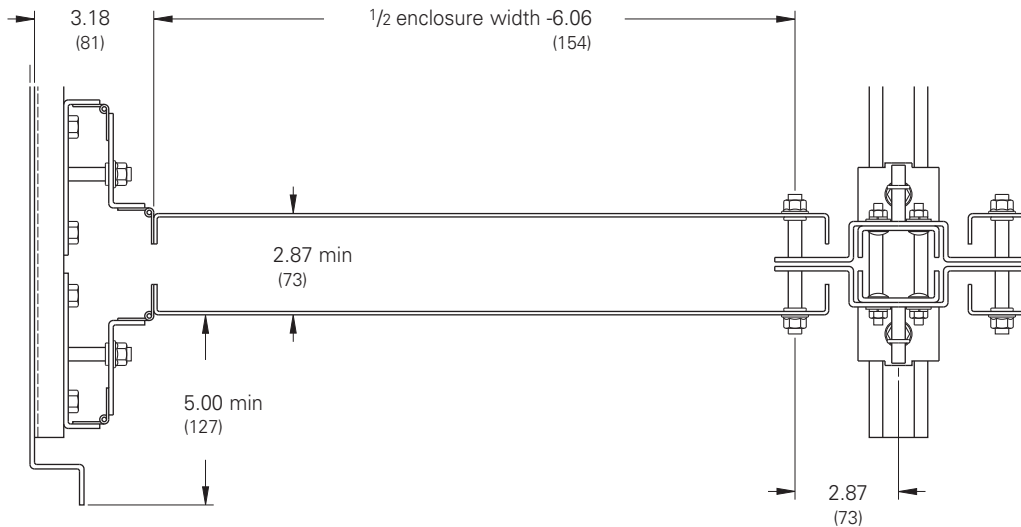
Discount Schedule: C2
Subclass: DSD



Single Door

(section view showing swing panels mounted back-to-back)

Type 4 Panel Enclosures



Double Door

(section view showing swing panels mounted back-to-back)

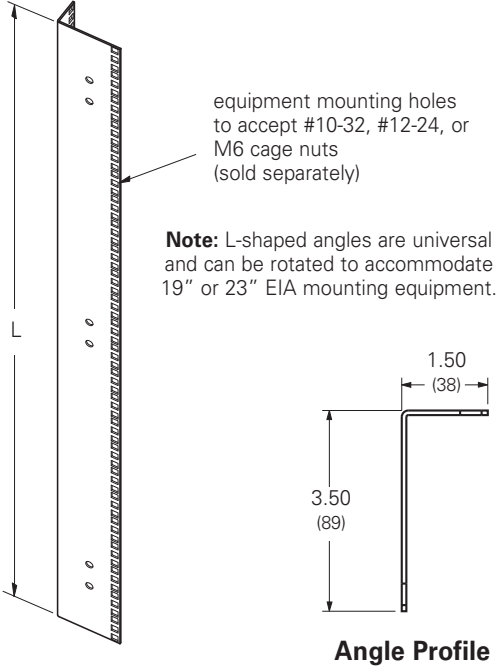
⌀
(of enclosure)

Notes: Dimensions are in inches. Millimeters shown are for reference only. Data subject to change without notice.

Free-Standing Enclosure Accessories Rack Mounting Angles Illustration Sheet and Catalog Number

Discount Schedule: C2
Subclass: DSO

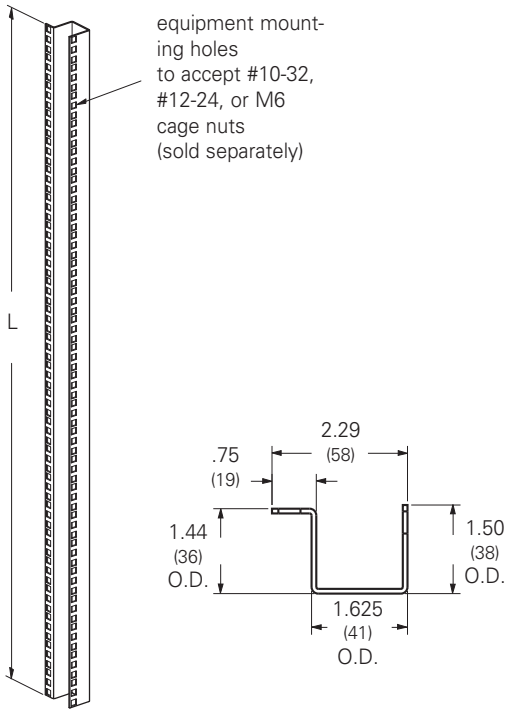
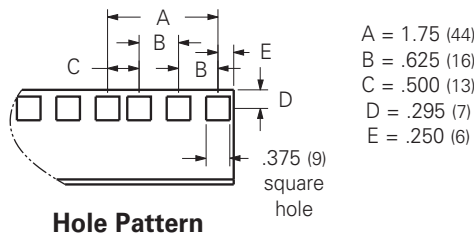
Heavy Duty Rack Mounting Angles are designed for mounting 19" (482mm) equipment in free-standing enclosures. **A Center Post Assembly, "AFxxCPS" on page 183, and a Panel Mounting Center Bracket, "AFCBRKT3" on page 186, (each sold separately) are required when mounting in any double door enclosure.** Mounting holes are spaced at the 19" "EIA" Standard and are provided to accept #10-32, #12-24, or M6 cage nuts (sold in packages of 100), on page 190.



'L' Shaped Mounting Angles

Catalog Number	Fits Enclosure Height		L		Mounting U's
	in.	mm	in.	mm	
ES-48RMA-L	48	1219	42.00	1067	24
ES-60RMA-L	60	1524	54.25	1378	31
ES-72RMA-L	72	1829	66.50	1689	38
ES-90RMA-L	90	2286	78.75	2000	45

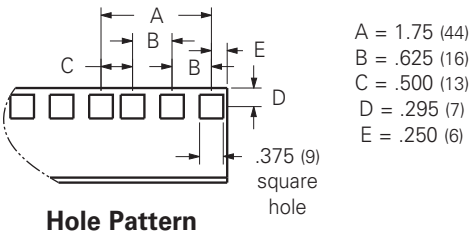
Kit contains two (2) full length 'L' angles, installation instructions, and hardware necessary to mount in single-door enclosures. Yellow Zinc finish.



'U' Shaped Mounting Angles

Catalog Number	Fits Enclosure Height		L		Mounting U's
	in.	mm	in.	mm	
ES-48RMA-U	48	1219	42.00	1067	24
ES-60RMA-U	60	1524	54.25	1378	31
ES-72RMA-U	72	1829	66.50	1689	38
ES-90RMA-U	90	2286	78.75	2000	45

Kit contains two (2) full length 'U' angles, installation instructions, and hardware necessary to mount in single-door enclosures. Yellow Zinc finish.



Notes: Dimensions are in inches. Millimeters shown are for reference only. Data subject to change without notice.

Type 4 Panel Enclosures

Type 4 Panel Enclosures

Free-Standing Enclosure Accessories Frames & Fasteners

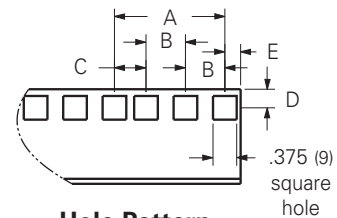
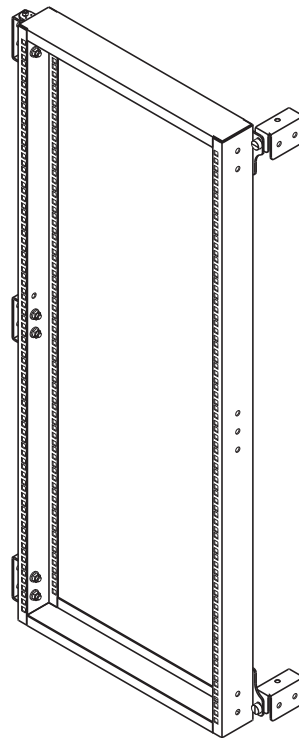
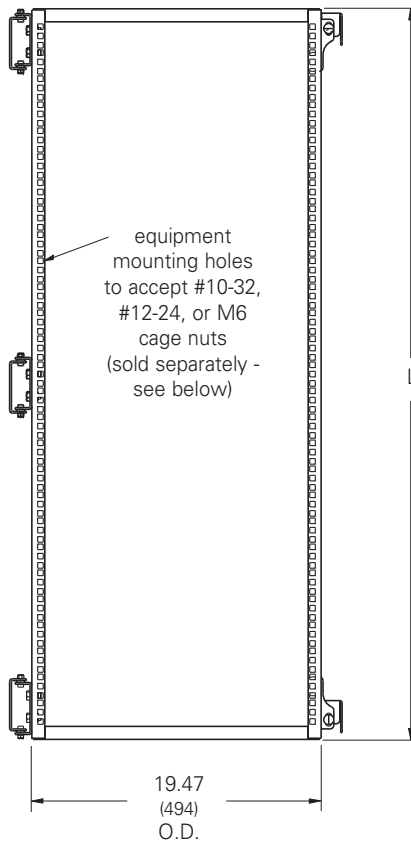
Illustration Sheet and Catalog Number

Discount Schedule: C2
Subclass: DSO

Swing-Out Rack Mounted Frame

Catalog Number	Fits Enclosure Height		L	
	in.	mm	in.	mm
ES-48SORMF	48	1219	36.91	937
ES-60SORMF	60	1524	49.16	1248
ES-72SORMF	72	1829	59.66	1515
ES-90SORMF	90	2286	77.18	1960

Heavy Duty Swing-Out Rack Mounting Frames are designed for mounting 19" (482mm) equipment in free standing enclosures. **A Center Post Assembly, "AFxxCPS" on page 183 and Panel Mounting Center Bracket, "AFCBRKT3" on page 186, (each sold separately) are required when mounting in any double door enclosure.** Mounting holes are spaced per the "EIA" Standard and are provided to accept #10-32, #12-24, or M6 cage nuts (sold in packages of 100). Swing-Out Rack Mounting frames have white powder coated finish.



Hole Pattern

- A = 1.75 (44)
- B = .625 (16)
- C = .500 (13)
- D = .295 (7)
- E = .250 (6)

Type 4 Panel Enclosures

Screws & Cage Nuts

Catalog Number	Description	Finish
Screws		
E2MA1032PHMS100	#10-32 Phillips	Clear Zinc
E2MA1224PHMS100	#12-24 Phillips	Clear Zinc
E2MAM6PHMS100	M6 Phillips	Yellow Zinc
Cage Nuts		
E2MACN1032100	#10-32 Threads	Clear Zinc
E2MACN1224100	#12-24 Threads	Clear Zinc
E2MACNM6100	M6 Threads	Yellow Zinc

Sold in bags of (100)



Screws



Cage Nuts

Notes: Dimensions are in inches. Millimeters shown are for reference only. Data subject to change without notice.

Free-Standing Enclosure Accessories Floor Stand & Stabilizer Kits Illustration Sheet and Catalog Number

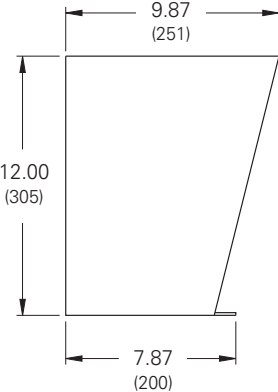
Discount Schedule: C2
Subclass: DS0



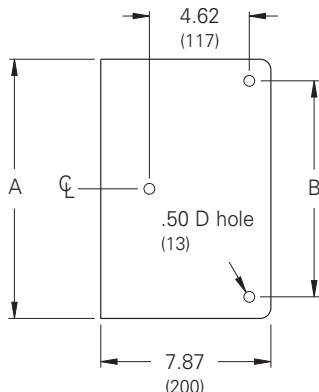
Floor Stand Kits

Catalog Number	A		B		C	
	in.	mm	in.	mm	in.	mm
MFK12	12.0	305	10.06	256	-	-
MFK16	16.0	406	14.06	357	-	-
MFK18	18.0	457	16.06	408	7.00	178
MFK20	20.0	508	18.06	459	8.00	203
MFK24	24.0	610	22.06	560	10.00	254

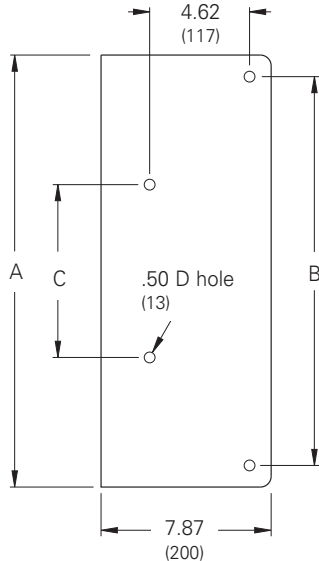
Floor Stand Kits are intended for use with EnviroShield™ Type 4X, Type 4 and Type 12 Enclosures where floor support is required. Each kit consists of two (10) gauge legs and hardware for mounting. At the base of each leg is a prepunched plate (see drawing). Steel kits have a gray polyester powder paint finish. Stainless steel kits are fabricated from 304 stainless steel. Standard Floor Stand Kits are 12 inches (305 mm) high. For special heights, special material or non-standard construction consult the factory.



Floor Stand Kit



Base 12 - 16 Deep



Base 18 - 24 Deep

Type 4 Panel Enclosures

Notes: Dimensions are in inches. Millimeters shown are for reference only. Data subject to change without notice.

Type 4 Panel Enclosures

Type 4 Panel Enclosures