



Pushbutton Enclosures Type 12 and Type 4X - 22.5 mm & 30.5 mm	342-343
Pushbutton Enclosures Type 12 and Type 4X Extra-Deep - 30.5 mm	344-345
Pushbutton Enclosures Type 12 Miniature - 22.5 mm	346-347
Pushbutton Enclosures Type 12 Hinge Cover - 30.5 mm with Panel	348-349
Pushbutton Enclosures Type 12 Angle Front - 30.5 mm	350-351
Pushbutton Enclosures Hole & Cutout Information	352
Consolet Type 12	353-355
Console Type 12 - AW-9	356-357
Console Type 12 - AW-12	358-360
Console Type 12 - AW-14	361-365
Console Accessories Type 12 - AW-14	366-367
Console Accessories	368-369

Operator Enclosures

Pushbutton Enclosures Type 12 & Type 4X - 22.5 mm & 30.5 mm Data and Illustration Sheet



PBxx Series

PVxSS Series

Application

- Designed to mount standard 30.5 mm or miniature 22.5 mm oil-tight pushbuttons, pilot lights and switches
- Protects against circulating dust, falling dirt and dripping non-corrosive liquids

Standards

- UL 508A listed, Type 12, Type 13, and Type 4X
- CSA C22.2 No.94 certified, Type 12, Type 13, and Type 4X
- Conforms to NEMA standard for Type 12, Type 13, and Type 4X

Finish

- Wash and phosphate undercoat
- ANSI 61 gray polyester powder finish
- Stainless steel enclosure cover and sides of body have a smooth brushed finish

Accessories

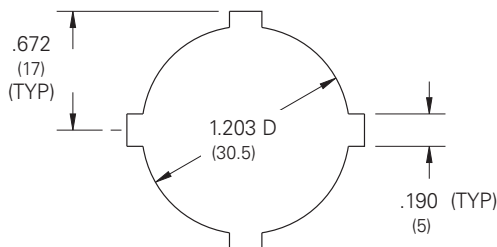
- Hole seals
- Columns and bases
- Touch-up paint
- See accessories section

Construction

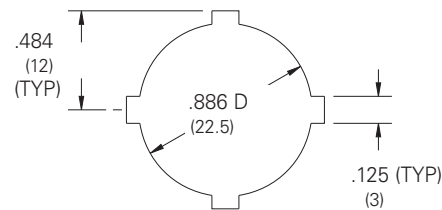
- Enclosure and cover are fabricated from (14) or (16) gauge steel, Type 304 or Type 316L stainless steel
- All continuous welded seams are finished smooth
- Cover is attached with captive screws which thread into sealed well nuts (stainless enclosures use stainless sealed well nuts)
- Cover has concealed, detachable hinges which allow for quick removal and can be hinged on either side (not offered on all sizes)
- Cover has a fixed, oil-resistant gasket
- Weldnut in body of enclosure for grounding
- Cover is pre-punched with standard 30.5 mm or miniature 22.5 mm "4-way" pushbutton holes
- External mounting feet are provided for secure wall mounting

Discount Schedule: C2

Subclass: DPO



Standard 4-Way



Miniature 4-Way

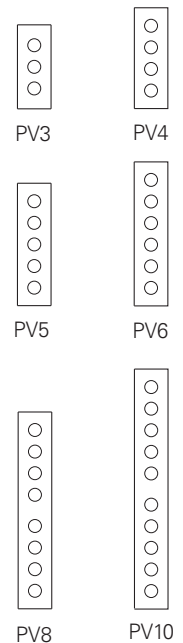
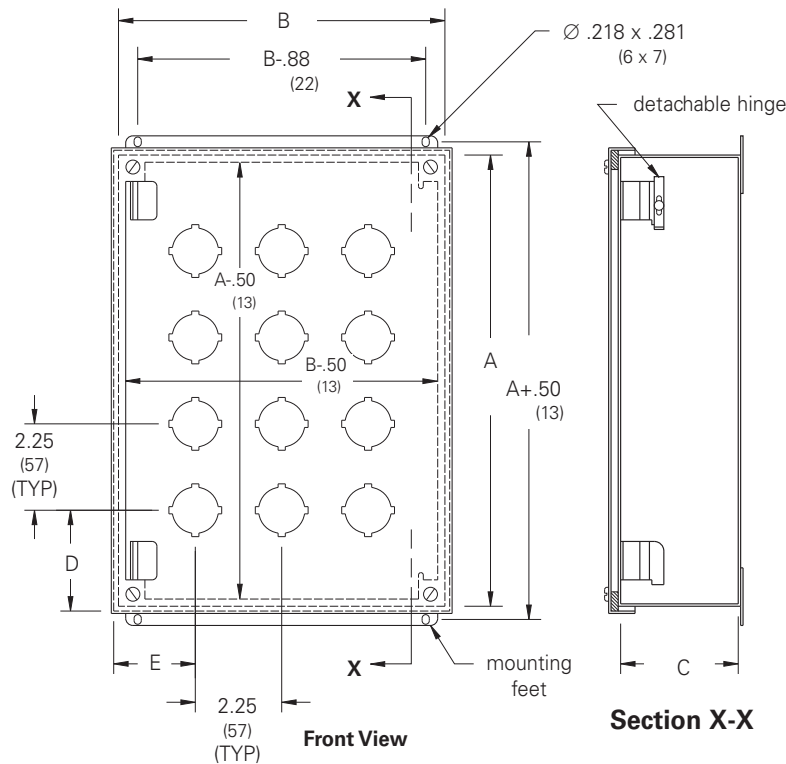
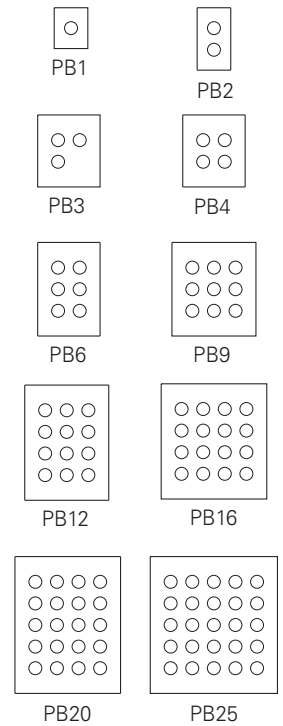
Notes: We can provide special sizes, finishes and other holes and cutouts, see page 352. Consult the factory for your special requirements.

Pushbutton Enclosures Type 12 & Type 4X - 22.5 mm & 30.5 mm Illustration Sheet and Catalog Number

Enclosure Catalog Number					Holes	Enclosure Size		D		E			
(30.5 mm Hole)			(22.5 mm Hole)			Height x Width x Depth		in. mm		in. mm			
Steel	Type 304 Stainless	Type 316L Stainless	Steel	Type 304 Stainless		A x B x C							
						in.	mm						
PB1*†	PB1SS*†	PB1SS6*†	PB1M*†	PB1MSS*†	1	4.00	3.25 x 3.00	102	83 x 76	2.12	54	1.75	44
PB2*†	PB2SS*†	PB2SS6*†	PB2M*†	PB2MSS*†	2	5.75	3.25 x 3.00	146	83 x 76	2.12	54	1.75	44
PB3	-	-	-	-	3	7.25	6.25 x 3.00	184	159 x 76	2.62	67	2.12	54
PB4	-	-	-	-	4	7.25	6.25 x 3.00	184	159 x 76	2.62	67	2.12	54
PB6	PB6SS*	PB6SS6*	-	-	6	9.50	6.25 x 3.00	241	159 x 76	2.62	67	2.12	54
PB9	PB9SS*	PB9SS6*	-	-	9	9.50	8.50 x 3.00	241	216 x 76	2.62	67	2.12	54
PB12	PB12SS*	PB12SS6*	-	-	12	11.75	8.50 x 3.00	298	216 x 76	2.62	67	2.12	54
PB16	-	-	-	-	16	11.75	10.75 x 3.00	298	273 x 76	2.62	67	2.12	54
PB20	-	-	-	-	20	14.00	10.75 x 3.00	356	273 x 76	2.62	67	2.12	54
PB25	-	-	-	-	25	14.00	13.00 x 3.00	356	330 x 76	2.62	67	2.12	54
PV3*	PV3SS*	PV3SS6*	PV3M*	PV3MSS*	3	8.00	3.25 x 2.75	203	83 x 70	2.12	54	1.75	44
PV4*	PV4SS*	PV4SS6*	PV4M*	PV4MSS*	4	10.25	3.25 x 2.75	260	83 x 70	1.87	47	1.75	44
PV5*	-	-	-	-	5	12.50	3.25 x 2.75	318	83 x 70	1.87	47	1.75	44
PV6*	-	-	-	-	6	14.75	3.25 x 2.75	375	83 x 70	1.87	47	1.75	44
PV8*	-	-	-	-	8	20.25	3.25 x 2.75	514	83 x 70	1.87	47	1.75	44
PV10*	-	-	-	-	10	24.75	3.25 x 2.75	629	83 x 70	1.87	47	1.75	44

* Enclosures are not hinged.

† PB1 and PB2 enclosures are fabricated from (16) gauge steel or stainless steel



Cover Hole Layout

Notes: Dimensions are in inches. Millimeters shown are for reference only. Data subject to change without notice.

Operator Enclosures

Pushbutton Enclosures Type 12 & Type 4X Extra-Deep - 30.5 mm Data and Illustration Sheet



Application

- Designed to mount standard 30.5 mm oil-tight pushbuttons, pilot lights and switches
- Protects against circulating dust, falling dirt and dripping non-corrosive liquids

Standards

- UL 508A listed, Type 12, Type 13, and Type 4X
- CSA C22.2 No.94 certified, Type 12, Type 13, and Type 4X
- Conforms to NEMA standard for Type 12, Type 13, and Type 4X

Finish

- Wash and phosphate undercoat
- ANSI 61 gray polyester powder finish
- Stainless steel enclosure cover and sides of body have a smooth brushed finish

Accessories

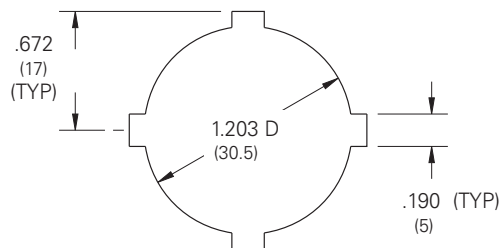
- Hole seals
- Columns and bases
- Touch-up paint
- See accessories section

Construction

- Enclosure and cover are fabricated from (14) or (16) gauge steel or Type 304 stainless steel
- Enclosure has extra depth for those components that require more room
- All continuous welded seams are finished smooth
- Cover is attached with captive screws which thread into sealed well nuts (stainless enclosures use stainless sealed well nuts)
- Cover has concealed, detachable hinges which allow for quick removal and can be hinged on either side (PBX Series only)
- Cover has a fixed, oil-resistant gasket
- Weldnut in body of enclosure for grounding
- Cover is prepunched with standard 30.5 mm "4-way" pushbutton holes
- External mounting feet are provided for secure wall mounting

Discount Schedule: C2

Subclass: DPO



Standard 4-Way

Notes: We can provide special sizes, finishes and other holes and cutouts, see page 352. Consult the factory for your special requirements.

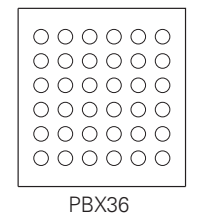
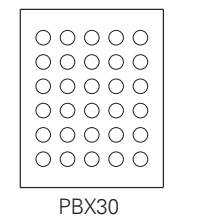
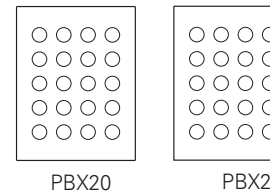
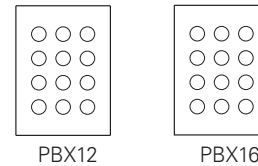
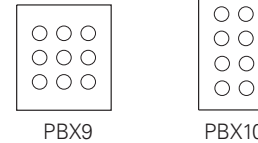
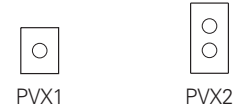
Pushbutton Enclosures Type 12 & Type 4X Extra-Deep - 30.5 mm Illustration Sheet and Catalog Number

Enclosure		Holes	Enclosure Size		D		E	
Catalog Number	Type 304 Stainless		Height x Width x Depth		in.		mm	
Steel			A x B x C	in.	mm	in.	mm	in.
PVX1††	PVX1SS††	1	4.00 x 4.00 x 4.75	102 x 102 x 121	2.12	54	1.75	44
PVX2††	PVX2SS††	2	6.00 x 4.00 x 4.75	152 x 102 x 121	2.12	54	1.75	44
PVX3*	PVX3SS*	3	8.00 x 4.00 x 4.75	203 x 102 x 121	2.12	54	1.75	44
PVX4*	PVX4SS*	4	10.00 x 4.00 x 4.75	254 x 102 x 121	1.87	47	1.75	44
PBX4	-	4	7.25 x 6.25 x 4.75	184 x 159 x 121	2.62	67	2.12	54
PBX6	-	6	9.50 x 6.25 x 4.75	241 x 159 x 121	2.62	67	2.12	54
PBX9	-	9	9.50 x 8.50 x 4.75	241 x 216 x 121	2.62	67	2.12	54
PBX10	-	10	14.00 x 6.25 x 4.75	356 x 159 x 121	2.62	67	2.12	54
PBX12	-	12	11.75 x 8.50 x 4.75	298 x 216 x 121	2.62	67	2.12	54
PBX16	-	16	11.75 x 10.75 x 4.75	298 x 273 x 121	2.62	67	2.12	54
PBX20	-	20	14.00 x 10.75 x 4.75	356 x 273 x 121	2.62	67	2.12	54
PBX25	-	25	14.00 x 13.00 x 4.75	356 x 330 x 121	2.62	67	2.12	54
PBX30	-	30	16.25 x 13.00 x 4.75	413 x 330 x 121	2.62	67	2.12	54
PBX36	-	36	16.25 x 15.25 x 4.75	413 x 387 x 121	2.62	67	2.12	54

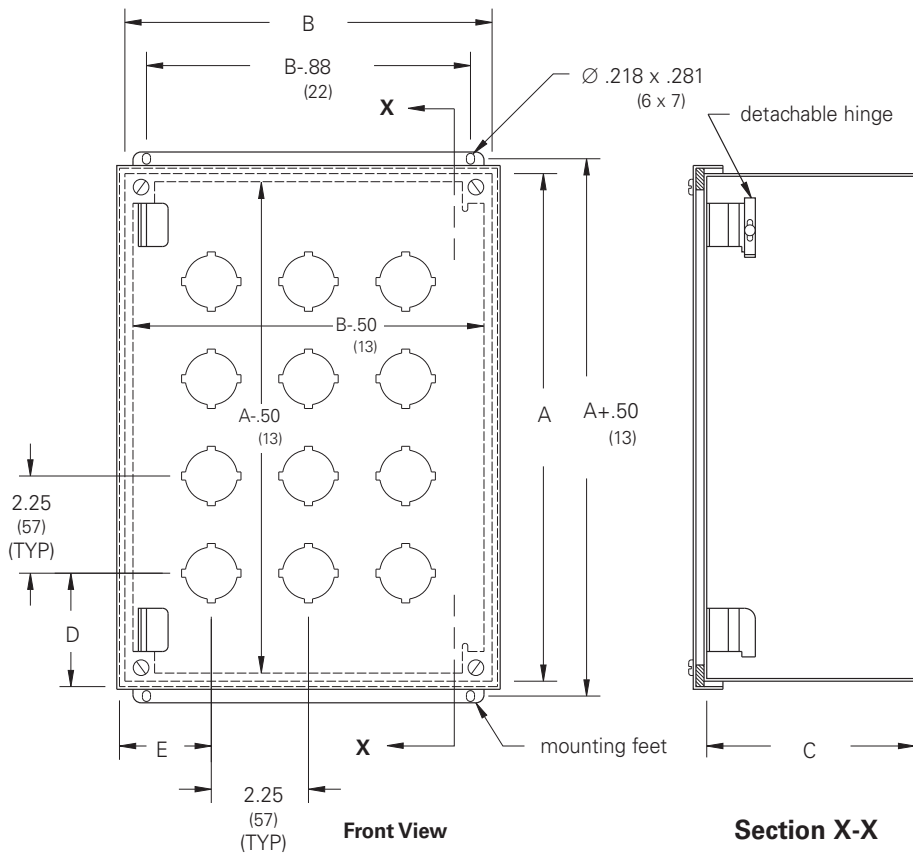
* Enclosures are not hinged.

† PVX1 and PVX2 enclosures are fabricated from (16) gauge steel or stainless steel.

Operator Enclosures



Cover Hole Layout



Notes: Dimensions are in inches. Millimeters shown are for reference only. Data subject to change without notice.

Operator Enclosures

Pushbutton Enclosures Type 12 Miniature - 22.5 mm Data and Illustration Sheet



Application

- Designed to mount miniature 22.5 mm oil-tight pushbuttons, pilot lights and switches
- Protects against circulating dust, falling dirt and dripping non-corrosive liquids

Standards

- UL 508A listed, Type 12 and Type 13
- CSA C22.2 No.94 certified, Type 12 and Type 13
- Conforms to NEMA standard for Type 12 and Type 13

Finish

- Wash and phosphate undercoat
- ANSI 61 gray polyester powder finish

Accessories

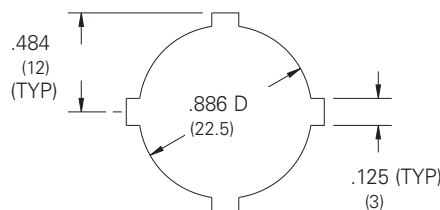
- Hole seals
- Columns and bases
- Touch-up paint
- See accessories section

Construction

- Enclosure and cover are fabricated from (14) or (16) gauge steel
- All continuous welded seams are finished smooth
- Cover is attached with captive screws which thread into sealed well nuts
- Covers more than 2.75 inches wide have concealed, detachable hinges which allow for quick removal and can be hinged on either side
- Cover has a fixed oil-resistant gasket
- Weldnut in body of enclosure for grounding
- Cover is pre-punched with miniature 22.5 mm "4-way" pushbutton holes
- External mounting feet are provided for secure wall mounting

Discount Schedule: C2

Subclass: DP0



Miniature 4-Way

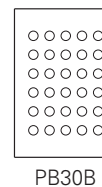
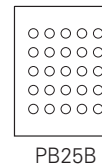
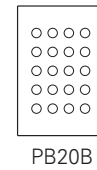
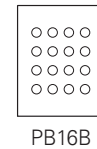
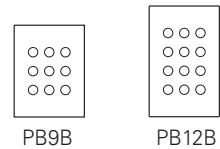
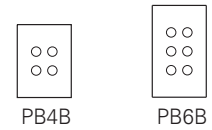
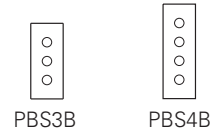
Notes: We can provide special sizes, finishes and other holes and cutouts, see page 352. Consult the factory for your special requirements.

Pushbutton Enclosures Type 12 Miniature - 22.5 mm Illustration Sheet and Catalog Number

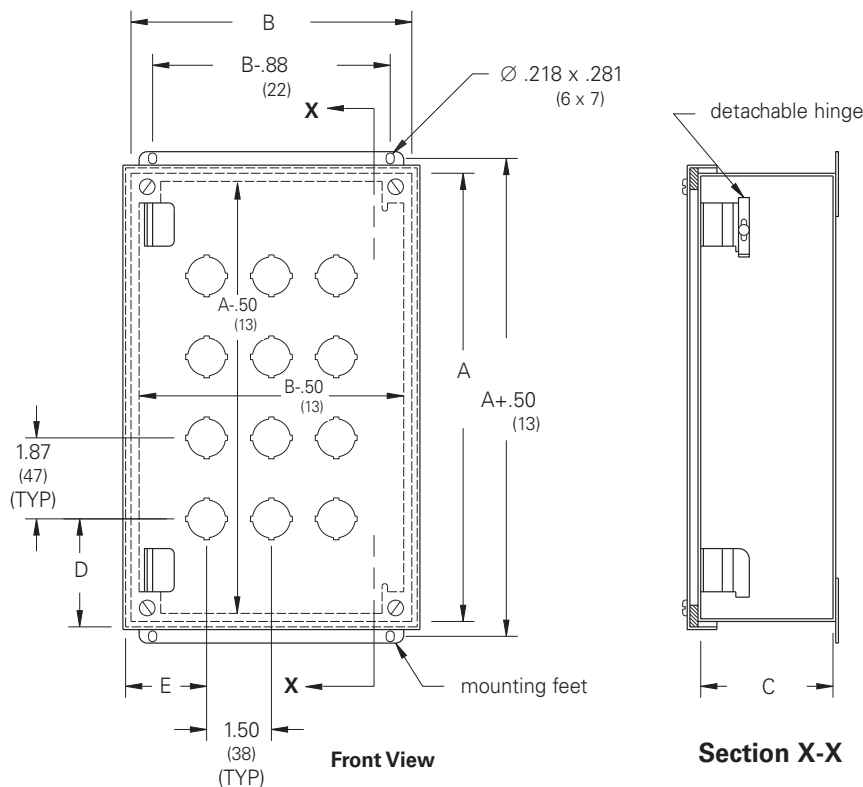
Enclosure Catalog Number	Holes	Enclosure Size		D		E	
		Height x Width x Depth					
		A x B x C		in.	mm	in.	mm
PB1B*†	1	3.25 x 2.75 x 3.50	83 x 70 x 89	1.75	44	1.50	38
PB2B*†	2	5.12 x 2.75 x 3.50	130 x 70 x 89	1.75	44	1.50	38
PBS3B*	3	7.00 x 2.75 x 3.50	178 x 70 x 89	1.75	44	1.50	38
PBS4B*	4	8.87 x 2.75 x 3.50	225 x 70 x 89	1.75	44	1.50	38
PB4B	4	6.62 x 5.00 x 4.25	168 x 127 x 108	2.50	64	1.87	47
PB6B	6	8.50 x 5.00 x 4.25	216 x 127 x 108	2.50	64	1.87	47
PB9B	9	8.50 x 6.50 x 4.25	216 x 165 x 108	2.50	64	1.87	47
PB12B	12	10.37 x 6.50 x 4.25	263 x 165 x 108	2.50	64	1.87	47
PB16B	16	10.37 x 8.00 x 4.25	263 x 203 x 108	2.50	64	1.87	47
PB20B	20	12.25 x 8.00 x 4.25	311 x 203 x 108	2.50	64	1.87	47
PB25B	25	12.25 x 9.50 x 4.25	311 x 241 x 108	2.50	64	1.87	47
PB30B	30	14.12 x 9.50 x 4.25	359 x 241 x 108	2.50	64	1.87	47

* Enclosures are not hinged.

† PB1B and PB2B enclosures are fabricated from (16) gauge steel



**Cover Hole
Layout**



Notes: Dimensions are in inches. Millimeters shown are for reference only. Data subject to change without notice.

Operator Enclosures

Pushbutton Enclosures Type 12 Hinge Cover - 30.5 mm With Panel Data and Illustration Sheet



Application

- Designed to mount standard 30.5 mm oil-tight pushbuttons, pilot lights and switches
- Protects against circulating dust, falling dirt and dripping non-corrosive liquid

Standards

- UL 508A listed, Type 12 and Type 13
- CSA C22.2 No.94 certified, Type 12 and Type 13
- Conforms to NEMA standard for Type 12 and Type 13

Finish

- Wash and phosphate undercoat
- ANSI 61 gray polyester powder finish
- Panels have white enamel finish

Accessories

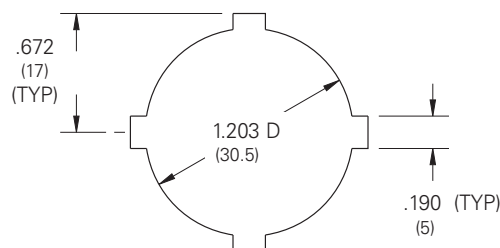
- Hole seals
- Columns and bases
- Touch-up paint
- See accessories section

Construction

- Enclosure and cover are fabricated from (14) gauge steel
- All continuous welded seams are finished smooth
- Cover is secured to the body with a continuous hinge on one side and captive screws which thread into sealed well nuts on the opposite side
- Cover has a fixed oil-resistant gasket
- Weldnut in body of enclosure for grounding
- Cover is pre-punched with standard 30.5 mm "4-way" pushbutton holes
- Heavy gauge panel mounted to weldnuts is provided with enclosure
- External mounting feet are provided for secure wall mounting

Discount Schedule: C2

Subclass: DP0

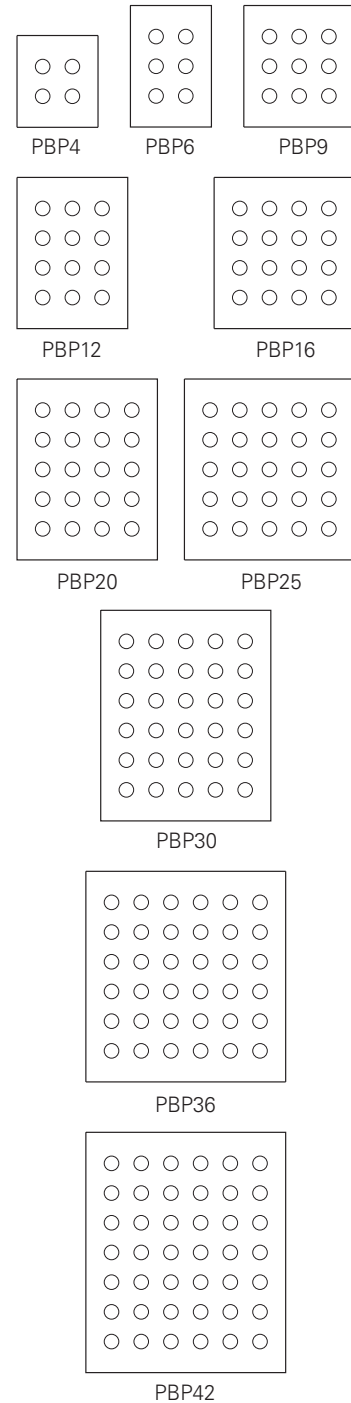
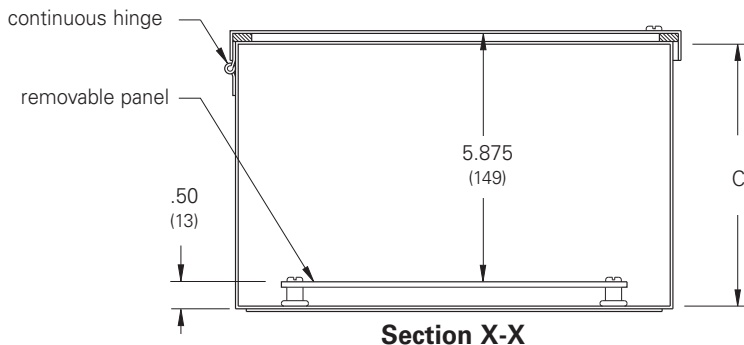
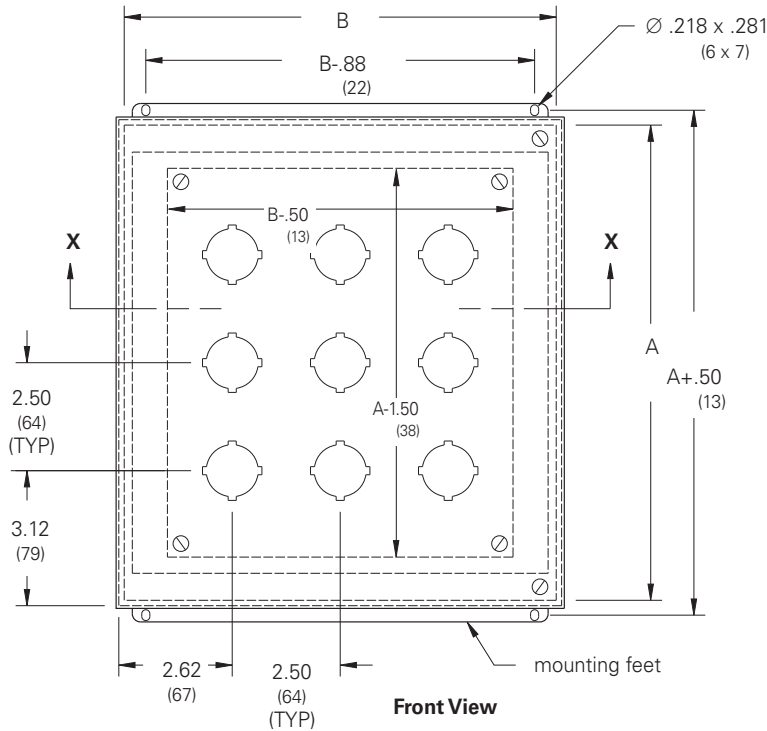


Standard 4-Way

Notes: We can provide special sizes, finishes and other holes and cutouts, see page 352. Consult the factory for your special requirements.

Pushbutton Enclosures Type 12 Hinge Cover - 30.5 mm With Panel Illustration Sheet and Catalog Number

Enclosure Catalog Number	Holes	Enclosure Size		Panel Size			
		Height x Width x Depth A x B x C		Height x Width			
		in.	mm	in.	mm	in.	mm
PBP4	4	8.50 x 7.50 x 6.00	216 x 191 x 152	6.50	35	5.50	140
PBP6	6	11.00 x 7.50 x 6.00	279 x 191 x 152	9.00	229	5.50	140
PBP9	9	11.00 x 10.00 x 6.00	279 x 254 x 152	9.00	229	8.00	203
PBP12	12	13.50 x 10.00 x 6.00	343 x 254 x 152	11.50	292	8.00	203
PBP16	16	13.50 x 12.50 x 6.00	343 x 318 x 152	11.50	292	10.50	267
PBP20	20	16.00 x 12.50 x 6.00	406 x 318 x 152	14.00	356	10.50	267
PBP25	25	16.00 x 15.00 x 6.00	406 x 381 x 152	14.00	356	13.00	330
PBP30	30	18.50 x 15.00 x 6.00	470 x 381 x 152	16.50	419	13.00	330
PBP36	36	18.50 x 17.50 x 6.00	470 x 445 x 152	16.50	419	15.50	394
PBP42	42	21.00 x 17.50 x 6.00	533 x 445 x 152	19.00	483	15.50	394



Notes: Dimensions are in inches. Millimeters shown are for reference only. Data subject to change without notice.

Operator Enclosures

Pushbutton Enclosures Type 12 Angle Front - 30.5 mm Data and Illustration Sheet



Application

- Designed to mount standard 30.5 mm oil-tight pushbuttons, pilot lights and switches
- Designed with angle front for mounting in either 30° or 60° positions
- Protects against circulating dust, falling dirt and dripping non-corrosive liquid

Standards

- UL 508A listed, Type 12 and Type 13
- CSA C22.2 No.94 certified, Type 12 and Type 13
- Conforms to NEMA standard for Type 12 and Type 13

Finish

- Wash and phosphate undercoat
- ANSI 61 gray polyester powder finish

Accessories

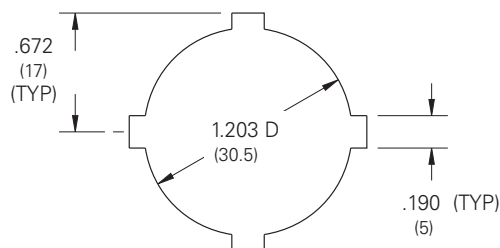
- Hole seals
- Columns and bases
- Touch-up paint
- See accessories section

Construction

- Enclosure and cover are fabricated from (14) or (16) gauge steel
- All continuous welded seams are finished smooth
- Cover is attached with captive screws which thread into sealed well nuts
- Covers more than 3.25 inches high have concealed, detachable hinges which allow for quick removal and can be hinged on either side
- Cover has a fixed oil-resistant gasket
- Weld nut in body of enclosure for grounding
- Cover is pre-punched with standard 30.5 mm "4-way" pushbutton holes
- External mounting feet are provided for secure wall mounting

Discount Schedule: C2

Subclass: DP0



Standard 4-Way

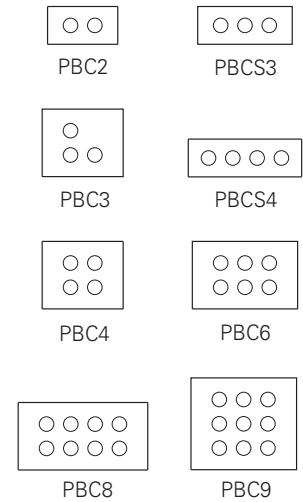
Notes: We can provide special sizes, finishes and other holes and cutouts, see page 352. Consult the factory for your special requirements.

Pushbutton Enclosures Type 12 Angle Front - 30.5 mm Illustration Sheet and Catalog Number

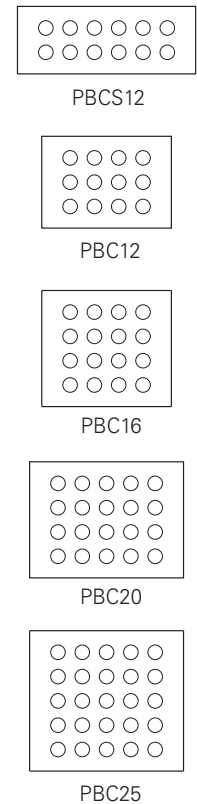
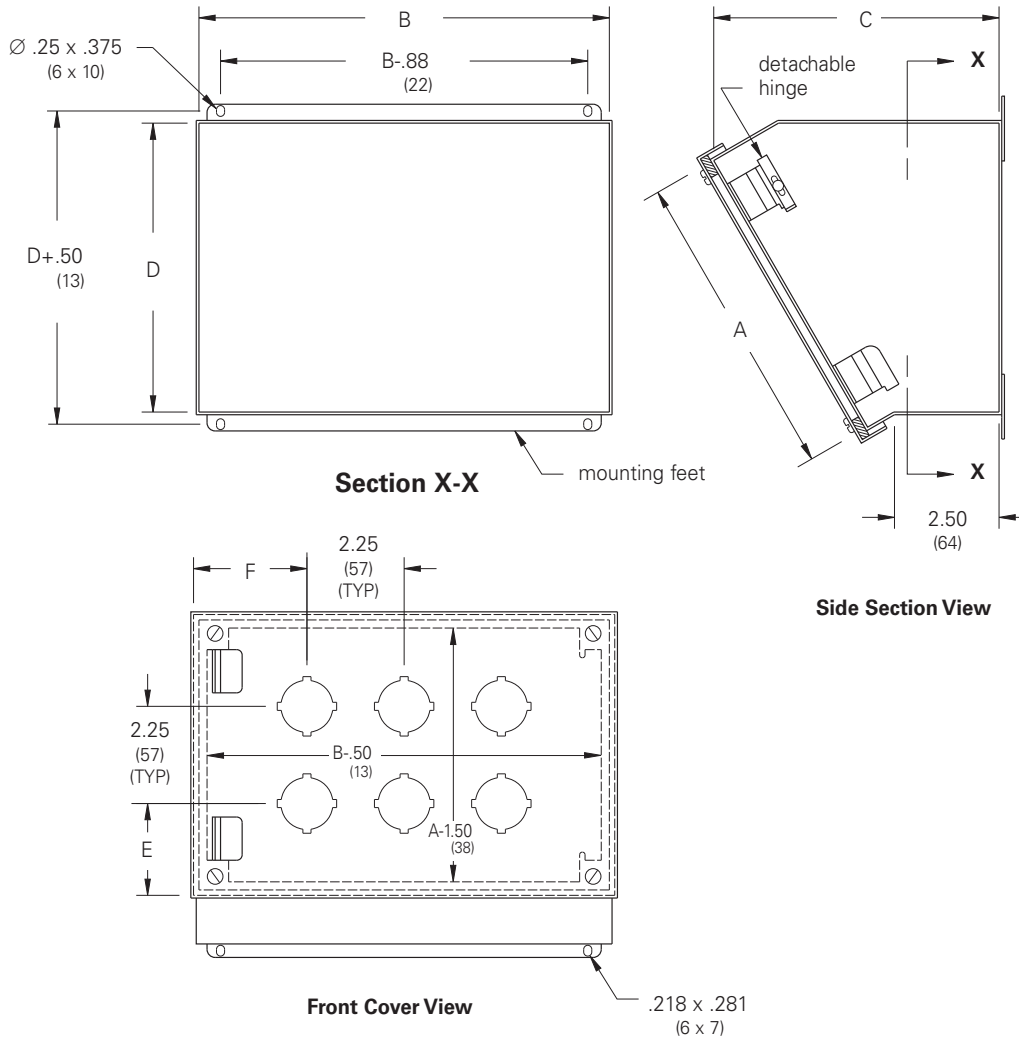
Enclosure Catalog Number	Holes	Enclosure Size Height x Width x Depth A x B x C		D		E		F	
		in.	mm	in.	mm	in.	mm	in.	mm
		PBC2*†	2	3.25 x 6.25 x 4.81	83 x 159 x 122	3.31	84	1.75	44
PBCS3*	3	3.25 x 8.50 x 4.81	83 x 216 x 122	3.31	84	1.75	44	2.12	54
PBC3	3	6.25 x 7.25 x 6.37	159 x 184 x 162	5.90	150	2.12	54	2.62	67
PBCS4*	4	3.25 x 10.25 x 4.81	83 x 260 x 122	3.31	84	1.75	44	1.87	47
PBC4	4	6.25 x 7.25 x 6.37	159 x 184 x 162	5.90	150	2.12	54	2.62	67
PBC6	6	6.25 x 9.50 x 6.37	159 x 241 x 162	5.90	150	2.12	54	2.62	67
PBC8	8	6.25 x 11.75 x 6.37	159 x 298 x 162	5.90	150	2.12	54	2.62	67
PBC9	9	9.50 x 8.50 x 7.88	241 x 216 x 200	8.84	225	2.12	54	2.62	67
PBCS12*	12	6.25 x 16.25 x 6.37	159 x 413 x 162	5.90	150	2.12	54	2.62	67
PBC12	12	8.50 x 11.75 x 7.50	216 x 298 x 191	7.84	199	2.12	54	2.62	67
PBC16	16	10.75 x 11.75 x 8.62	273 x 298 x 219	9.78	248	2.12	54	2.62	67
PBC20	20	10.75 x 14.00 x 8.62	273 x 356 x 219	9.78	248	2.12	54	2.62	67
PBC25	25	13.00 x 14.00 x 9.75	330 x 356 x 248	11.75	298	2.12	54	2.62	67

* Enclosures are not hinged.

† PBC2 enclosures are fabricated from (16) gauge steel



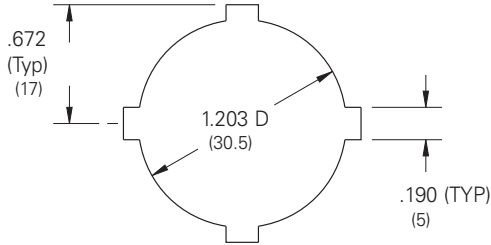
Operator Enclosures



**Cover Hole
Layout**

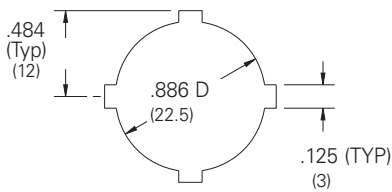
Notes: Dimensions are in inches. Millimeters shown are for reference only. Data subject to change without notice.

Pushbutton Enclosures Hole and Cutout Information Illustration Sheet



Standard 4-Way (Type S4-WAY)

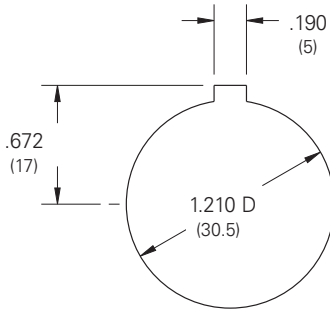
Our standard 4-way pushbutton hole will accommodate all standard size pushbutton, pilot lights and selector switches. The hole is designed to orient the device and legend plate in one of four different positions. Furnished on "PB," "PBX," "PBP," "PBC," "PBCS," "PV," "PVX," "PVS" and "P" style enclosures.



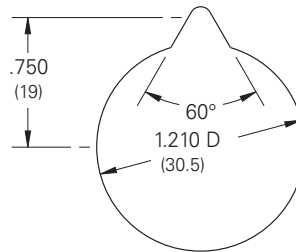
Miniature 4-Way (Type: M4-WAY)

Our miniature 4-way pushbutton hole will accommodate miniature size pushbuttons, pilot lights and selector switches. The hole is designed to orient the device and legend plate in one of four different positions. Furnished on "PB-M" and "PB-B" style enclosures.

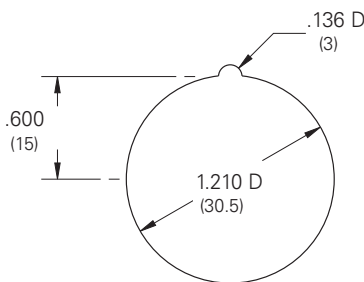
Custom Holes and Cutouts



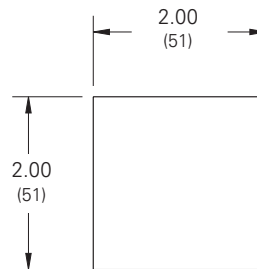
Type: C-101



Type C-102



Type: C-103



Type C-201

Notes: When specifying hole types "C-101," "C-102" and "C-103" indicate orientation of "key". Dimensions are in inches. Millimeters shown are for reference only. Data subject to change without notice.

Consolet Type 12 Data Sheet



Application

- Houses electrical controls and instruments
- Designed with angle front for mounting in either 30° or 60° position
- Protects against circulating dust, falling dirt and dripping non-corrosive liquids

Standards

- UL 508A listed, Type 12 and Type 13
- CSA C22.2 No.94 certified, Type 12 and Type 13
- Conforms to NEMA standard for Type 12 and Type 13

Finish

- Wash and phosphate undercoat
- ANSI 61 gray polyester powder finish
- Stainless steel enclosure cover and sides of body have a smooth brushed finish

Accessories

- Columns and bases
- Touch-up paint
- See Accessories section

Construction

- Enclosure and cover are fabricated from (14) gauge steel or Type 304 stainless steel
- All continuous welded seams are finished smooth
- Cover is secured to the body with a continuous hinge on one side and captive screws which thread into sealed well nuts on the opposite side
- Cover has a fixed oil-resistant gasket
- Ground stud provided on cover and body

Discount Schedule: C2

Subclass: DQ0

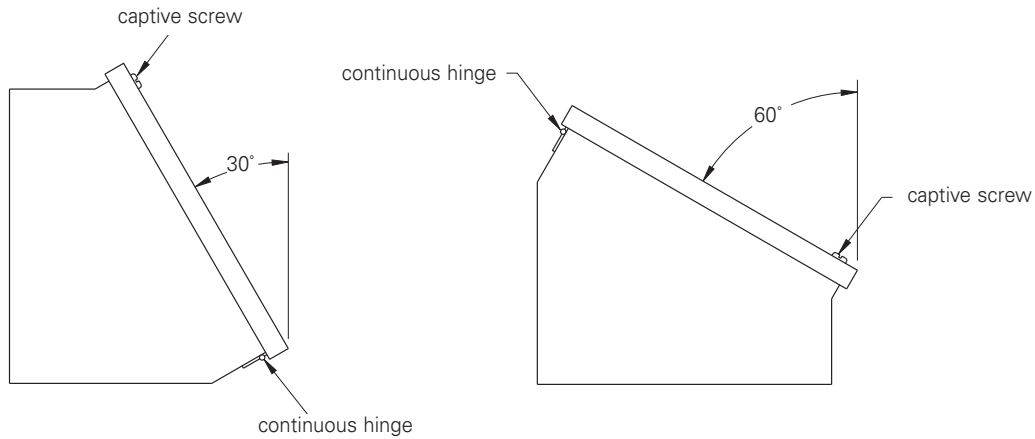
Notes: Dimensions are in inches. Millimeters shown are for reference only. Data subject to change without notice.

Operator Enclosures

Consolet Type 12

Illustration Sheet and Catalog Number

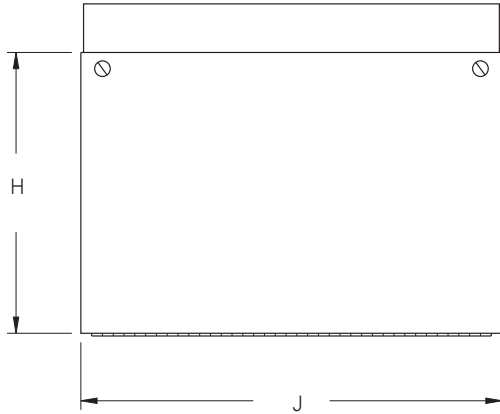
Enclosure Catalog Number		Enclosure Size Height x Width x Depth		D		E		F		G		H		J	
Type 304		A x B x C													
Steel	Stainless	in.	mm	in.	mm	in.	mm	in.	mm	in.	mm	in.	mm	in.	mm
AC-8C8	AC-8C8SS	8.00 x 8.00 x 7.12	203 x 203 x 181	5.62	143	7.50	191	6.62	168	7.37	187	8.25	210	8.25	210
AC-8C12	AC-8C12SS	8.00 x 12.00 x 7.12	203 x 305 x 181	5.62	143	7.50	191	6.62	168	11.37	289	8.25	210	12.25	311
AC-8C16	AC-8C16SS	8.00 x 16.00 x 7.12	203 x 406 x 181	5.62	143	7.50	191	6.62	168	15.37	390	8.25	210	16.25	413
AC-8C20	AC-8C20SS	8.00 x 20.00 x 7.12	203 x 508 x 181	5.62	143	7.50	191	6.62	168	19.37	492	8.25	210	20.25	514
AC-12C12	AC-12C12SS	12.00 x 12.00 x 9.12	305 x 305 x 232	7.62	194	11.00	279	10.62	270	11.37	289	12.25	311	12.25	311
AC-12C16	AC-12C16SS	12.00 x 16.00 x 9.12	305 x 406 x 232	7.62	194	11.00	279	10.62	270	15.37	390	12.25	311	16.25	413
AC-12C20	AC-12C20SS	12.00 x 20.00 x 9.12	305 x 508 x 232	7.62	194	11.00	279	10.62	270	19.37	492	12.25	311	20.25	514
AC-12C24	AC-12C24SS	12.00 x 24.00 x 9.12	305 x 610 x 232	7.62	194	11.00	279	10.62	270	23.37	594	12.25	311	24.25	616
AC-16C16	AC-16C16SS	16.00 x 16.00 x 11.12	406 x 406 x 282	9.62	244	14.50	368	14.62	371	15.37	390	16.25	413	16.25	413
AC-16C20	AC-16C20SS	16.00 x 20.00 x 11.12	406 x 508 x 282	9.62	244	14.50	368	14.62	371	19.37	492	16.25	413	20.25	514
AC-16C24	AC-16C24SS	16.00 x 24.00 x 11.12	406 x 610 x 282	9.62	244	14.50	368	14.62	371	23.37	594	16.25	413	24.25	616
AC-16C30	AC-16C30SS	16.00 x 30.00 x 11.12	406 x 762 x 282	9.62	244	14.50	368	14.62	371	29.37	746	16.25	413	30.25	768
AC-16C36	AC-16C36SS	16.00 x 36.00 x 11.12	406 x 914 x 282	9.62	244	14.50	368	14.62	371	35.37	898	16.25	413	36.25	921
AC-20C20	AC-20C20SS	20.00 x 20.00 x 13.12	508 x 508 x 333	11.62	295	18.00	457	18.62	473	18.62	473	20.25	514	20.25	514
AC-20C24	AC-20C24SS	20.00 x 24.00 x 13.12	508 x 610 x 333	11.62	295	18.00	457	18.62	473	22.62	574	20.25	514	24.25	616
AC-20C30	AC-20C30SS	20.00 x 30.00 x 13.12	508 x 762 x 333	11.62	295	18.00	457	18.62	473	28.62	727	20.25	514	30.25	768



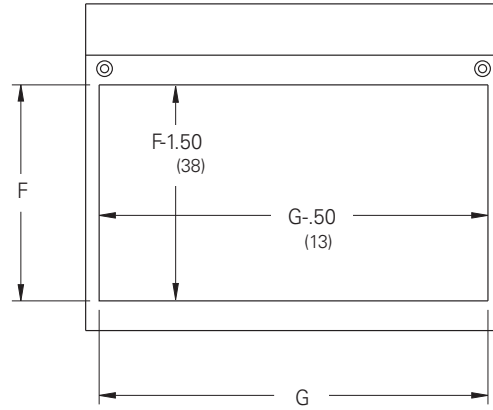
Typical Mounting Configurations
Side Views

Notes: We can provide special sizes, finishes and other holes and cutouts, see page 352. Consult the factory for your special requirements.

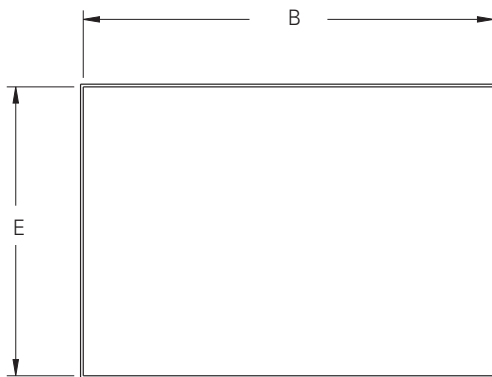
Consolet Type 12 Illustration Sheet



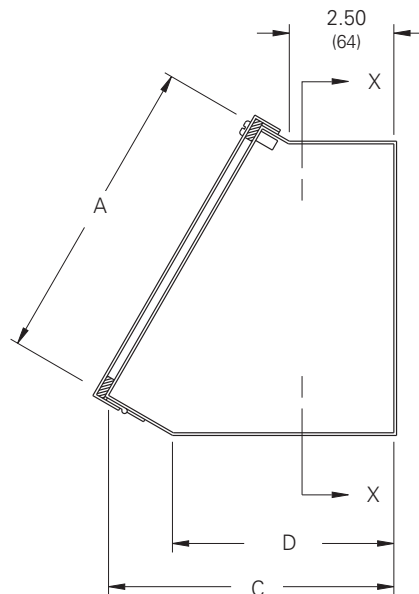
Front Cover View



Enclosure Opening View
(cover and hinge removed)



Section X-X



Side Section View

Notes: Dimensions are in inches. Millimeters shown are for reference only. Data subject to change without notice.

Operator Enclosures

Console Type 12 - AW-9

Data Sheet and Catalog Number

Operator Enclosures



Application

- Houses electrical controls and instruments
- Designed with 45° angle top surface for pushbuttons, pilot lights, switches, or other monitoring devices
- Protects against circulating dust, falling dirt and dripping non-corrosive liquids

Standards

- UL 508A listed, Type 12
- CSA C22.2 No.94 certified, Type 12
- Conforms to NEMA standard for Type 12

Construction

- Console, panel cover and door are fabricated from (14) gauge steel
- All continuous welded seams are finished smooth
- Panel cover is secured to the body with a continuous hinge along the front side and captive screws which thread into sealed well nuts on the other three sides
- Cover stops allow the panel cover to be held in the open position
- Front access door is secured to the body with a heavy-duty continuous hinge on one side and a 3-point locking handle which latches to the opposite side
- Print pocket provided
- Panel cover and front door have a fixed oil-resistant gasket
- .375-16 collar studs are provided on back and both side walls for mounting optional panel

Finish

- Wash and phosphate undercoat
- ANSI 61 gray polyester powder finish

Accessories

- Panels
- NEMA terminal strap kit
- Terminal blocks
- Caster kit
- Touch-up paint
- Replacement handle, 25228C, see page 426
- See Accessories section

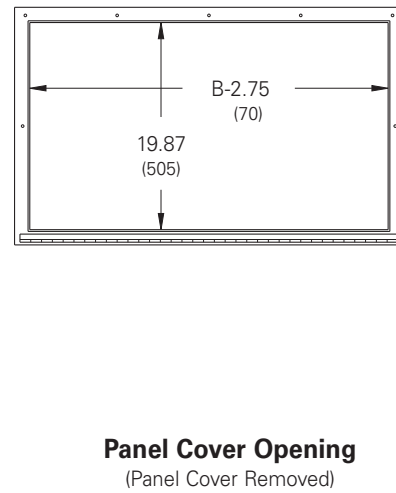
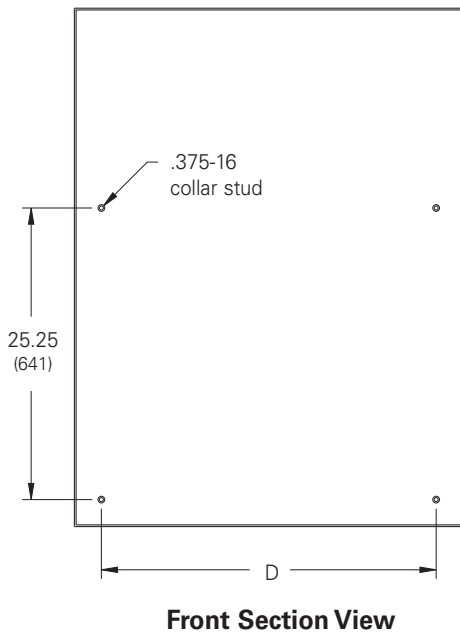
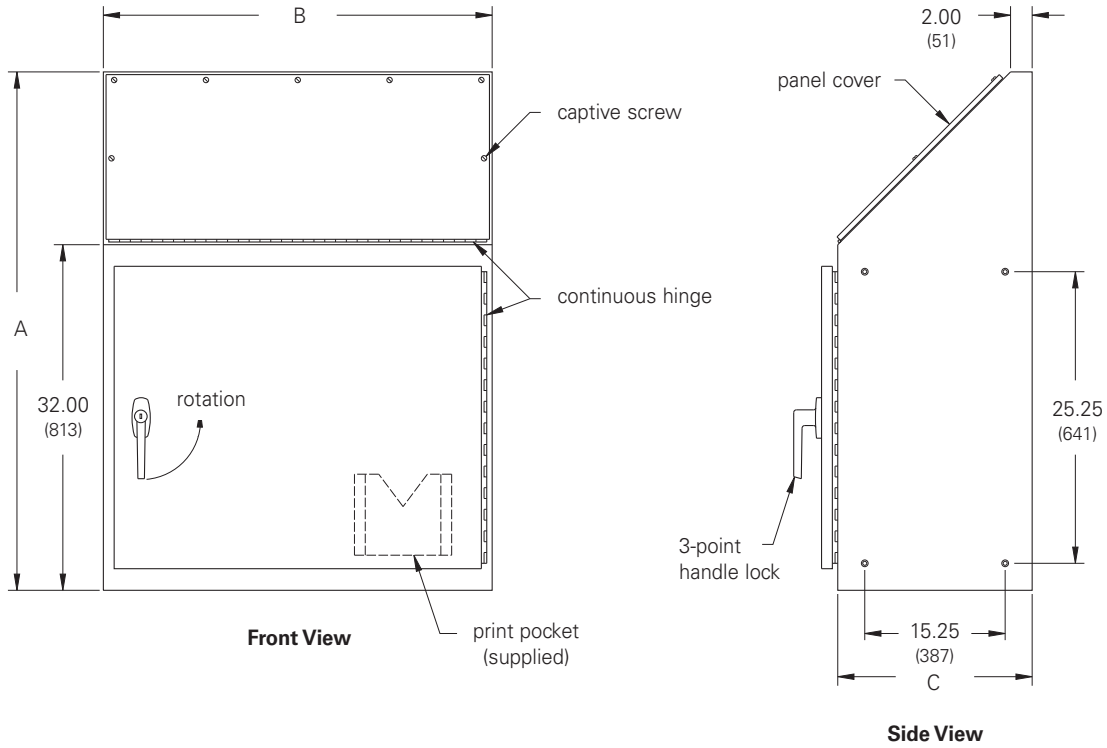
Discount Schedule: C2

Subclass: DR0

Consoles Catalog Number	Console Size Height x Width x Depth A x B x C		D		Back Panel Catalog Number	Panel Size Height x Width A x B		Side Panel Catalog Number	Panel Size Height x Width A x B	
	in.	mm	in.	mm		in.	mm		in.	mm
AC-924B	48.00 x 24.00 x 18.00	1219 x 610 x 457	15.25	387	AW3020P	26.87 x 16.87	682 x 428	AW3020P	26.87 x 16.87	682 x 428
AC-936B	48.00 x 36.00 x 18.00	1219 x 914 x 457	25.25	641	AW3030P	26.87 x 26.87	682 x 682	AW3020P	26.87 x 16.87	682 x 428

Notes: We can provide special sizes, finishes and other modifications. Consult the factory for your special requirements.

Console Type 12 - AW-9 Illustration Sheet



Notes: Dimensions are in inches. Millimeters shown are for reference only. Data subject to change without notice.

Operator Enclosures

Console

Type 12 - AW-12

Data Sheet and Catalog Number

Operator Enclosures



Application

- Houses electrical controls and instruments
- Designed with an angled top and front surface for pushbuttons, pilot lights, switches or other monitoring devices
- Protects against circulating dust, falling dirt and dripping non-corrosive liquids

Standards

- UL 508A listed, Type 12
- CSA C22.2 No.94 certified, Type 12
- Conforms to NEMA standard for Type 12

Finish

- Wash and phosphate undercoat
- ANSI 61 gray polyester powder finish
- Optional top assembly and writing desk have an ANSI 61 gray polyester powder finish
- Panels have a white enamel finish

Accessories

- Terminal blocks
- Caster kit
- Touch-up paint
- See Accessories section
- Replacement handle, 25228C, see page 426

Construction

- Console body, panel cover and door, top assembly and writing desk are fabricated from (14) gauge steel
- All continuous welded seams are finished smooth
- Panel cover is secured to the body with a continuous hinge along the front side and captive screws which thread into sealed well nuts on the other three sides
- Cover stops allow the panel cover to be held in the open position
- Consoles 36 inches wide or less have a single front access door with a heavy-duty continuous hinge on one side and 3-pt locking handle on the opposite side
- Consoles wider than 36 inches have double front access doors with heavy-duty continuous hinge and center locating 3-point locking handle which closes right side door over left
- Print pocket provided
- Panel cover, front door and top assembly covers have a fixed oil-resistant gasket
- Removable panel mounted on .375-16 collar studs is located behind the console body door
- Optional top assembly has a front-mounted instrument panel cover and rear-mounted access panel cover
- Optional writing desk is available for convenient front mounting

Discount Schedule: G2

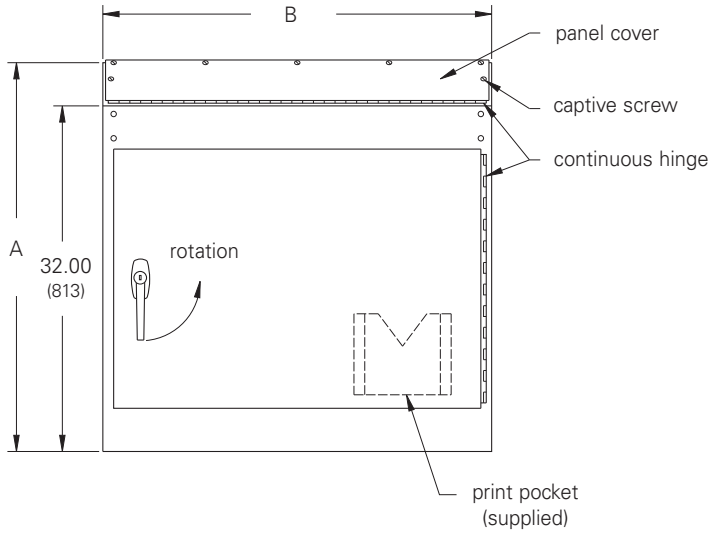
Subclass: DR0

Console Body Catalog Number	Console Body Size Height x Width x Depth A x B x C		Panel Size Optional Height x Width		Top Assembly Optional Catalog Number	Writing Desk Catalog Number
	in.	mm	in.	mm		
AC-1224B	36.00 x 24.00 x 24.00	914 x 610 x 610	26.87 x 16.87	682 x 428	AC-1224T	AC-1224W*
AC-1236B	36.00 x 36.00 x 24.00	914 x 914 x 610	26.87 x 26.87	682 x 682	AC-1236T	AC-1236W*
AC-1248B	36.00 x 48.00 x 24.00	914 x 1219 x 610	26.87 x 38.87	682 x 987	AC-1248T	AC-1248W*

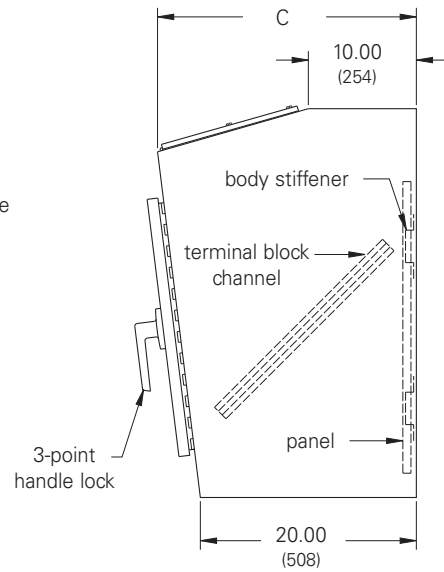
* Not UL or CSA listed

Notes: We can provide special sizes, finishes and other modifications. Consult the factory for your special requirements.

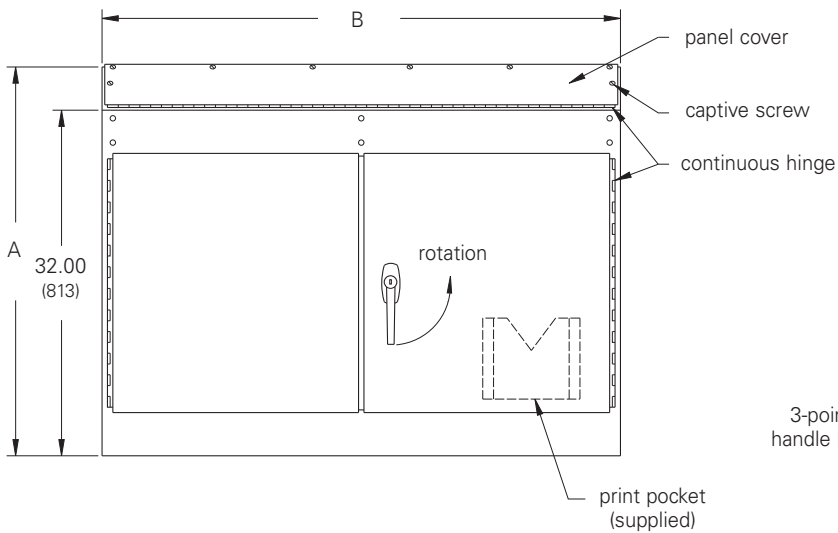
Console Type 12 - AW-12 Illustration Sheet



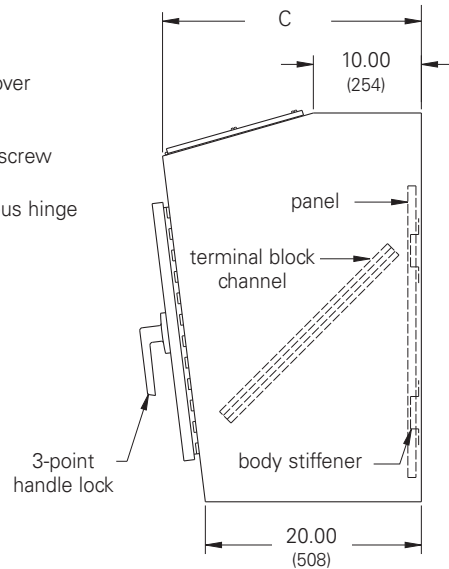
Console Body Front View
(24 inch & 36 inch wide body)



Side View



Console Body Front View
(48 inch wide body)



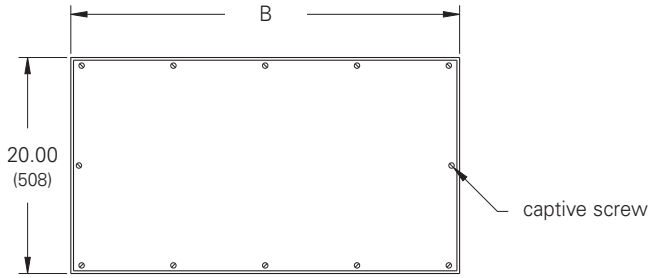
Side View

Notes: Dimensions are in inches. Millimeters shown are for reference only. Data subject to change without notice.

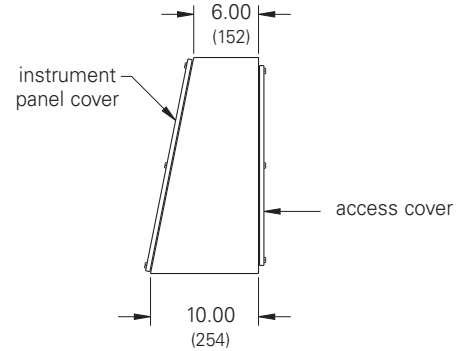
Operator Enclosures

Console Type 12 - AW-12 Illustration Sheet

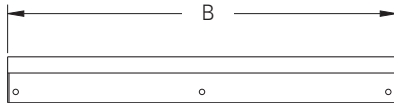
Operator Enclosures



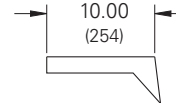
**Top Assembly
Front View**



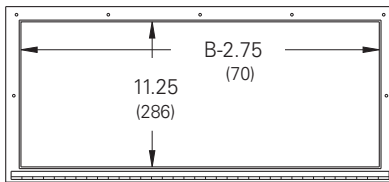
Side View



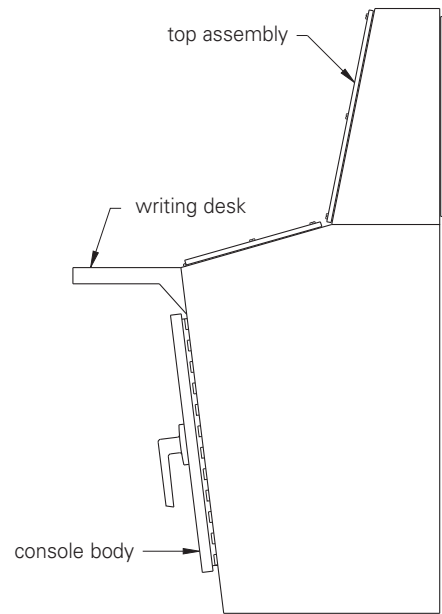
**Writing Desk
Front View**
(*not UL or CSA listed)



Side View



Panel Cover Opening
(panel cover removed)



Typical Assembly

Notes: Dimensions are in inches. Millimeters shown are for reference only. Data subject to change without notice.

Console Type 12 - AW-14 Data Sheet



Application

- Houses electrical controls and instruments
- Designed with a 60° angle top surface for pushbuttons, pilot lights, switches or other monitoring devices
- Protects against circulating dust, falling dirt and dripping non-corrosive liquids

Standards

- UL 508A listed, Type 12
- CSA C22.2 No.94 certified, Type 12
- Conforms to NEMA standard for Type 12

Construction

- Console body, panel cover and door, top assembly and writing desk are fabricated from (14) gauge steel
- All continuous welded seams are finished smooth
- Panel cover is secured to the body with a continuous hinge along the front side and captive screws which thread into sealed well nuts on the other three sides
- Cover stops allow the panel cover to be held in the open position
- Consoles 36 inches wide or less have a single front and rear access door with a heavy-duty continuous hinge on one side and a 3-point locking handle on the opposite side
- Consoles wider than 36 inches have double front and rear access doors with a heavy-duty continuous hinge and a center locating 3-point locking handle which closes right side door over left
- Mounting channels are welded inside for locating optional panel along console depth
- Front door has a print pocket
- Panel cover, front door and top assembly covers have fixed oil-resistant gaskets
- Optional top assembly has front mounted instrument panel cover(s) and rear mounted access panel cover(s)
- An optional writing desk is available with convenient front mounting

Finish

- Wash and phosphate undercoat
- ANSI 61 gray polyester powder finish
- Optional top assembly and writing desk have an ANSI 61 gray polyester powder finish

Accessories

- NEMA terminal strap kit
- Terminal blocks
- Swing panels
- Full and half panels
- Channel mounting hardware
- Caster kit
- Touch-up paint
- Replacement handle, 25228C, see page 426
- See Accessories section

Discount Schedule: C2

Subclass: DR0

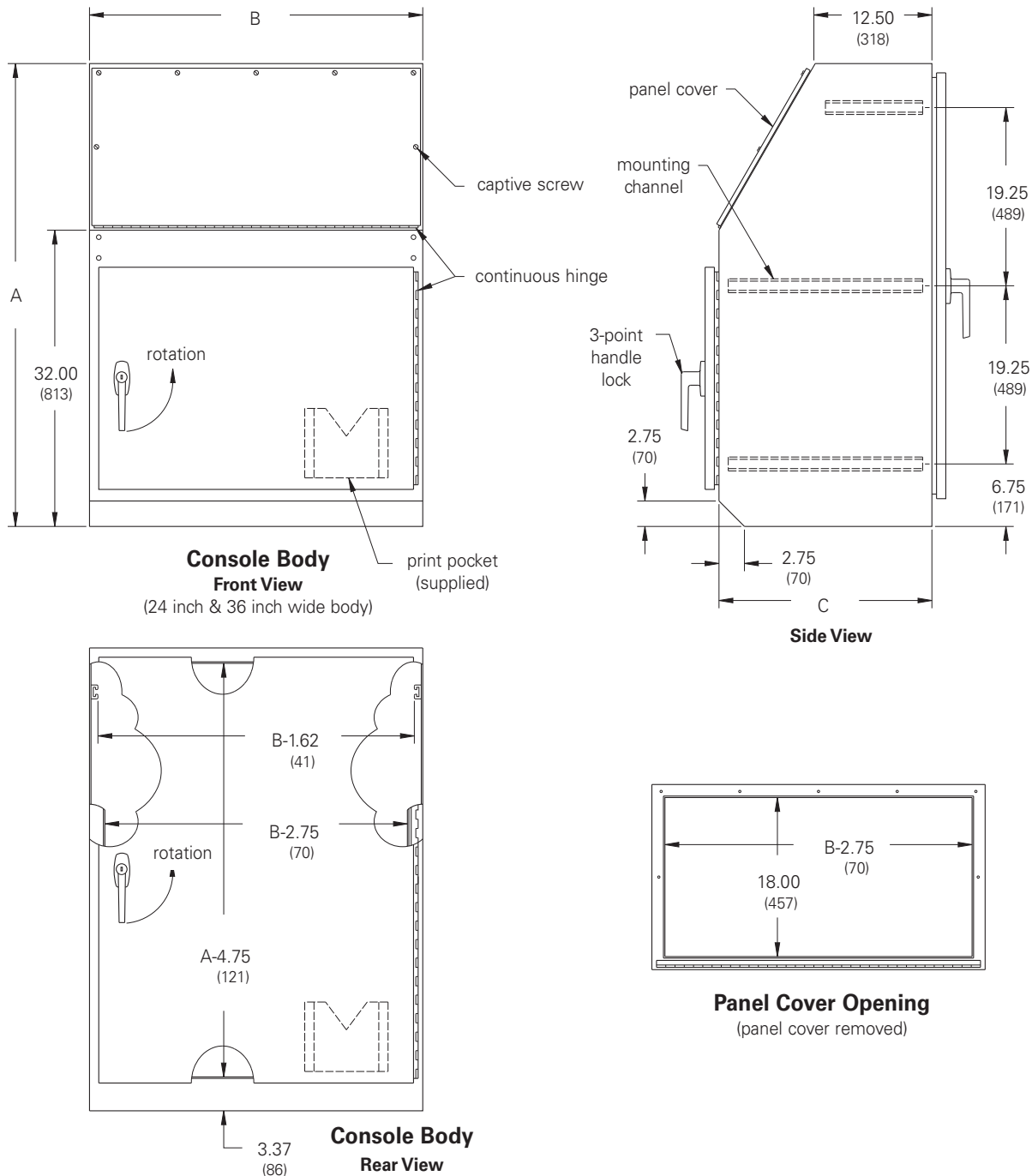
Notes: We can provide special sizes, finishes and other modifications. Consult the factory for your special requirements

Operator Enclosures

Console Type 12 - AW-14 Illustration Sheet and Catalog Number

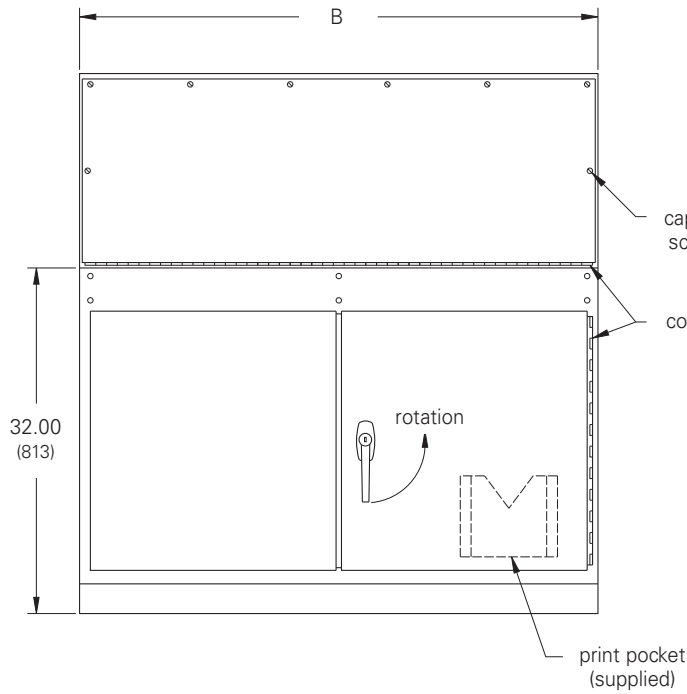
Console Body	Console Body Size Height x Width x Depth A x B x C		Top Assembly Optional	Writing Desk Optional
Catalog Number	in.	mm	Catalog Number	Catalog Number
AC-1424B	50.00 x 24.00 x 23.00	1270 x 610 x 584	AC-1424T	AC-1424W*
AC-1436B	50.00 x 36.00 x 23.00	1270 x 914 x 584	AC-1436T	AC-1436W*
AC-1448B	50.00 x 48.00 x 23.00	1270 x 1219 x 584	AC-1448T	AC-1448W*
AC-1460B	50.00 x 60.00 x 23.00	1270 x 1524 x 584	AC-1460T	AC-1460W*
AC-1472B	50.00 x 72.00 x 23.00	1270 x 1829 x 584	AC-1472T	AC-1472W*

* Not UL or CSA listed

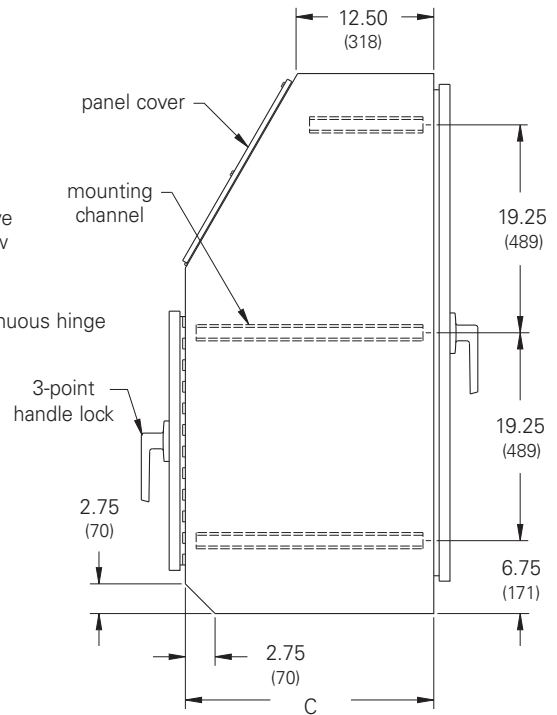


Notes: Dimensions are in inches. Millimeters shown are for reference only. Data subject to change without notice.

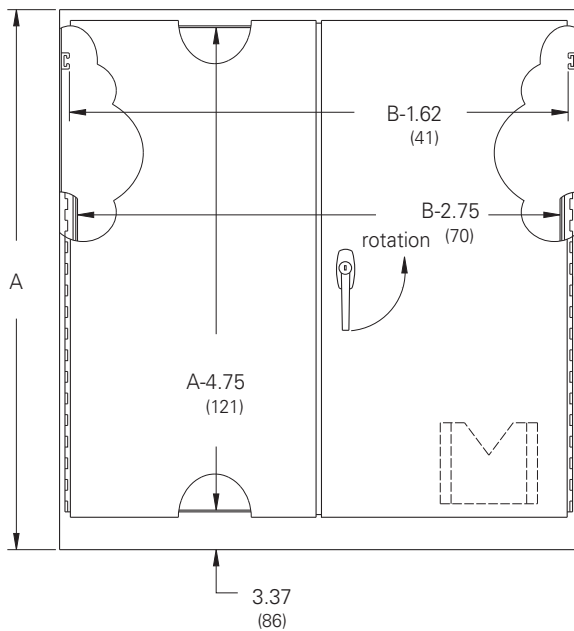
Console Type 12 - AW-14 Illustration Sheet



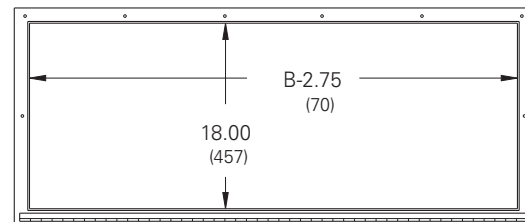
Console Body
Front View
(48 inch wide body)



Side View



Console Body
Rear View



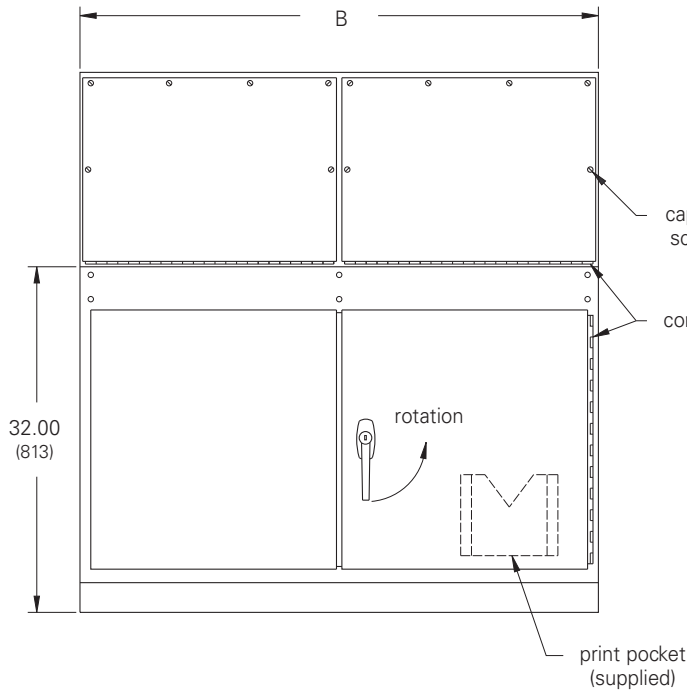
Panel Cover Opening
(panel cover removed)

Notes: Dimensions are in inches. Millimeters shown are for reference only. Data subject to change without notice.

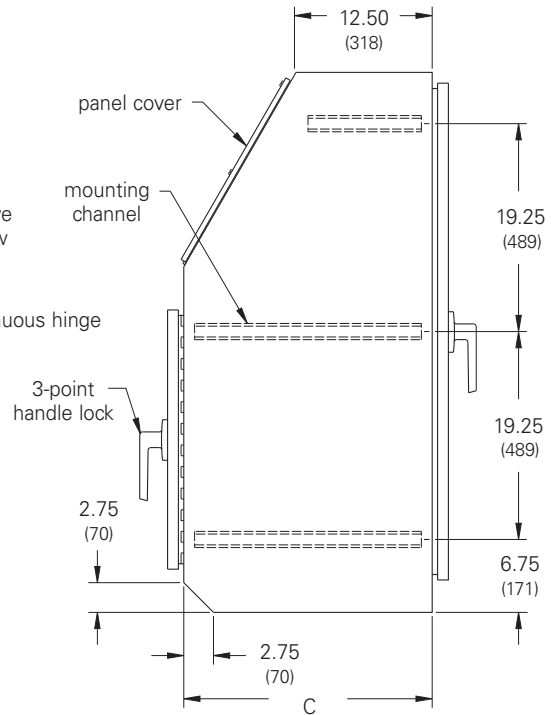
Operator Enclosures

Console Type 12 - AW-14 Illustration Sheet

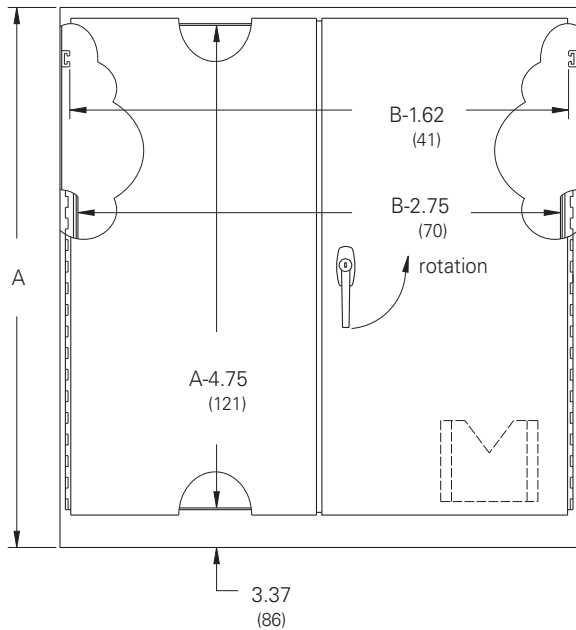
Operator Enclosures



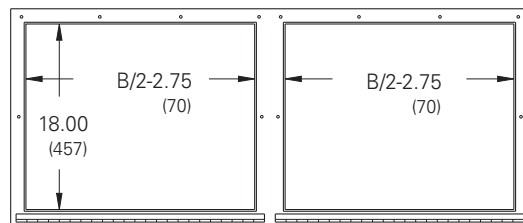
Console Body Front View
(60 inch & 70 inch wide body)



Side View



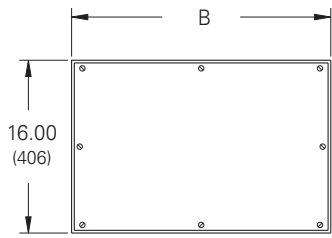
Console Body Rear View



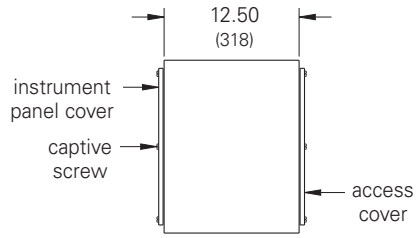
Panel Cover Opening
(panel cover removed)

Notes: Dimensions are in inches. Millimeters shown are for reference only. Data subject to change without notice.

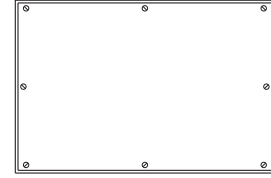
Console Type 12 - AW-14 Illustration Sheet



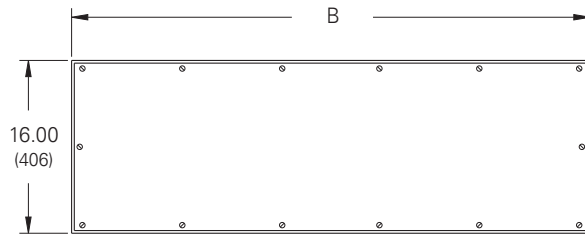
Top Assy Front View
(24 inch (610 mm) & 36 inch (914 mm) wide body)



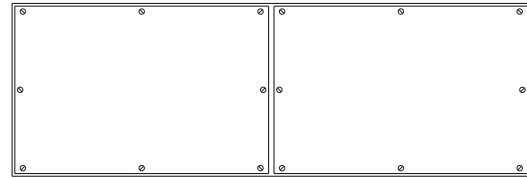
Side View
(typical all top assy)



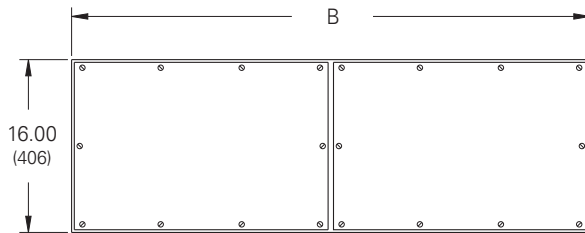
Top Assy Rear View
(24 inch (610 mm) & 36 inch (914 mm) wide body)



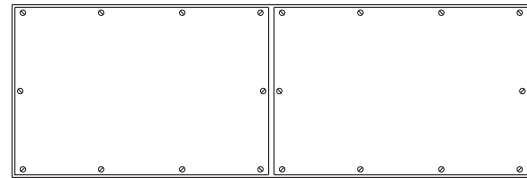
Top Assy Front View
(48 inch (1219 mm) wide body)



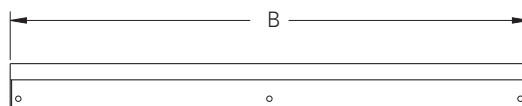
Top Assy Rear View
(48 inch (1219 mm) wide body)



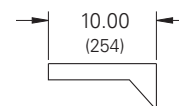
Top Assy Front View
(60 inch (1524 mm) & 72 inch (1829 mm) wide body)



Top Assy Rear View
(60 inch (1524 mm) & 72 inch (1829 mm) wide body)



Writing Desk Front View
(* not UL or CSA listed)



Side View

Notes: Dimensions are in inches. Millimeters shown are for reference only. Data subject to change without notice.

Operator Enclosures

Console Accessories Type 12 - AW-14

Full and Half Panel

Illustration Sheet and Catalog Number

Discount Schedule: C2

Subclass: DRO

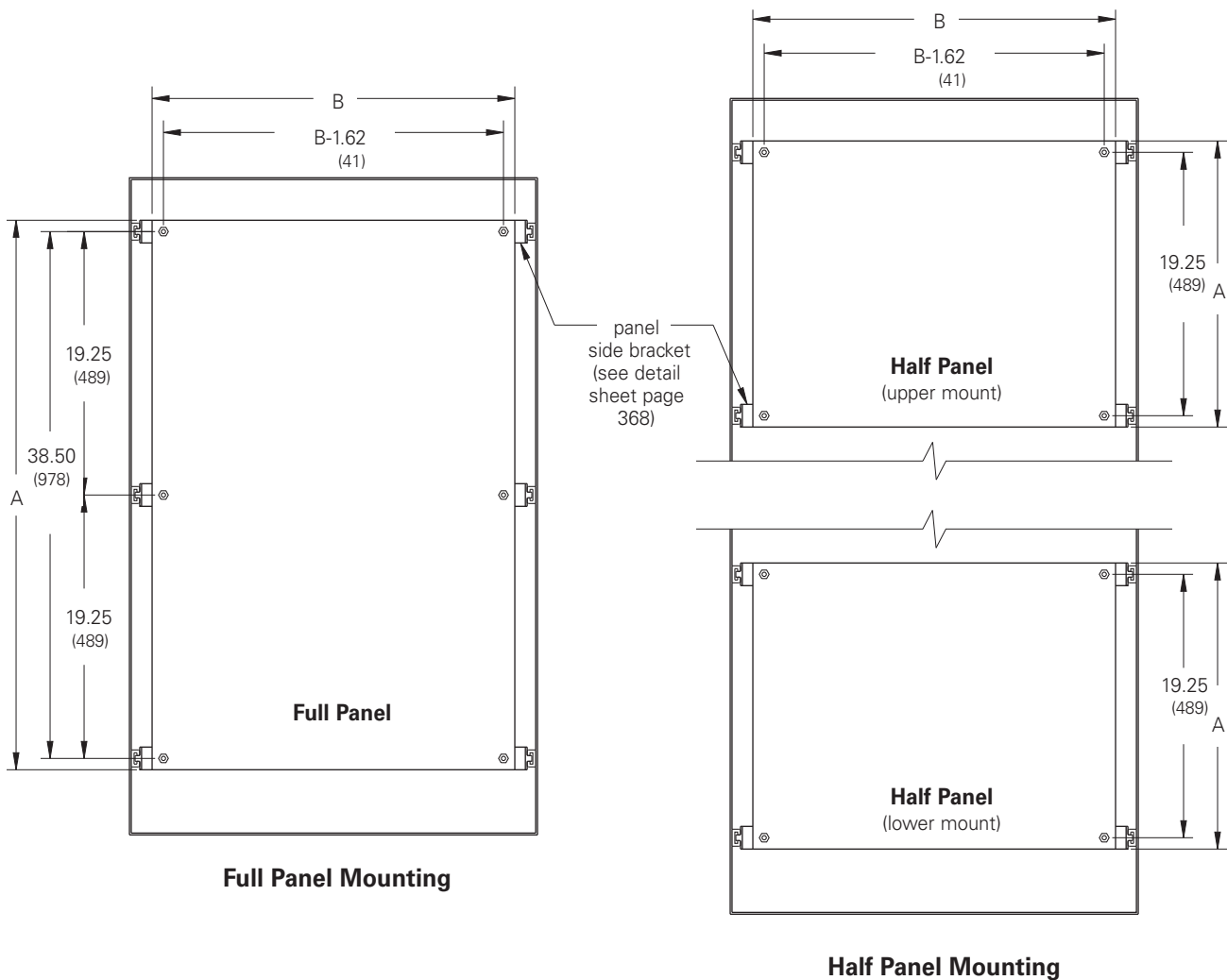
Full Panel

Panel	Panel Size		Fits Console Body
	Height x Width A x B		
Catalog Number	in.	mm	Catalog Number
AC-1424P	40.12 x 19.87	1019 x 505	AC-1424B
AC-1436P	40.12 x 31.87	1019 x 809	AC-1436B
AC-1448P	40.12 x 43.87	1019 x 1114	AC-1448B
AC-1460P	40.12 x 55.87	1019 x 1419	AC-1460B
AC-1472P	40.12 x 67.87	1019 x 1724	AC-1472B

Half Panel

Panel	Panel Size		Fits Console Body
	Height x Width A x B		
Catalog Number	in.	mm	Catalog Number
AC-1424HP	20.87 x 19.87	530 x 505	AC-1424B
AC-1436HP	20.87 x 31.87	530 x 809	AC-1436B
AC-1448HP	20.87 x 43.87	530 x 1114	AC-1448B
AC-1460HP	20.87 x 55.87	530 x 1419	AC-1460B

Operator Enclosures



Full panel and half panel for consoles are (12) gauge steel and furnished with panel brackets and all hardware necessary for channel and panel mounting. Half panels can be mounted in either the upper or lower portion of the console. Console body design permits the panel to adjust along the depth of the enclosure. Full panel and half panel can be mounted back-to-back.

Notes: Dimensions are in inches. Millimeters shown are for reference only. Data subject to change without notice.

Console Accessories Type 12 - AW-14 Swing Panel and Terminal Strap Kit Illustration Sheet and Catalog Number

Discount Schedule: C2

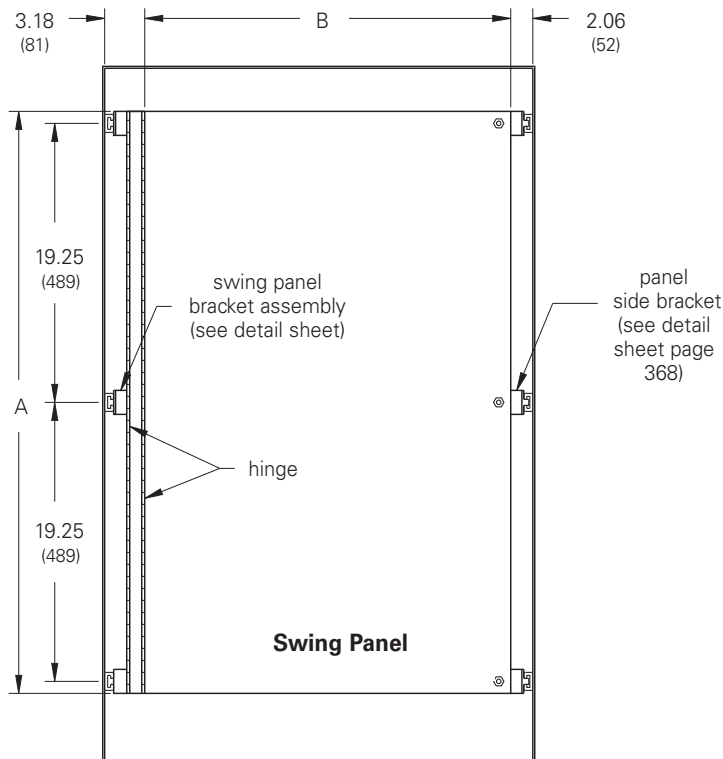
Subclass: DRO

Swing Panel

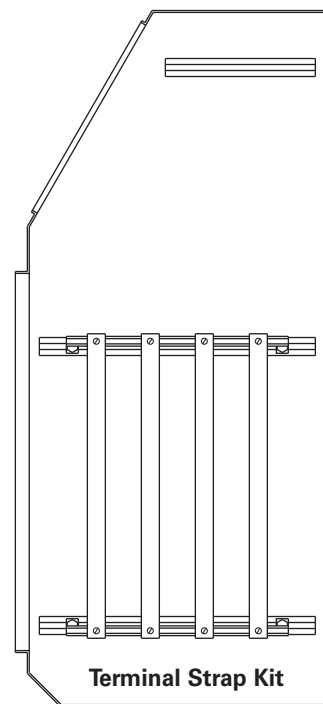
Panel	Panel Size Height x Width A x B		Fits Console Body
Catalog Number	in.	mm	Catalog Number
AC-1424SWP	40.12 x 18.75	1019 x 476	AC-1424B
AC-1436SWP	40.12 x 30.75	1019 x 781	AC-1436B

Terminal Strap Kit

Panel	Quantity	Fits Console Body
Catalog Number	of Straps	Catalog Number
24TS20	4	All AW-14 Series
24TS24	5	All AW-14 Series



Swing Panel Mounting



Terminal Strap Mounting

Swing Panel Mounting

Swing Panel for Consoles are (12) gauge steel, have a dual hinge swing panel bracket and are furnished with panel brackets and all hardware necessary for channel and panel mounting. Panels can be installed such that they hinge either on the left side or right side. Console body design permits the panel to adjust along the depth of the enclosure. The dual hinge allows the inner panel to swing completely out of the rear opening when within 5.50 inches. Panel and swing panel can be mounted back-to-back.

Terminal Strap Mounting

Terminal Strap Kits assemble conveniently to the channel on either side of the console body. Channel mounting hardware should be purchased separately for installation. Full length straps are furnished with adequate space for the users' terminal blocks or terminal blocks and extra straps can be purchased separately (see detail sheet and the Accessories section).

Notes: Dimensions are in inches. Millimeters shown are for reference only. Data subject to change without notice.

Operator Enclosures

Console Accessories Type 12 - AW-14

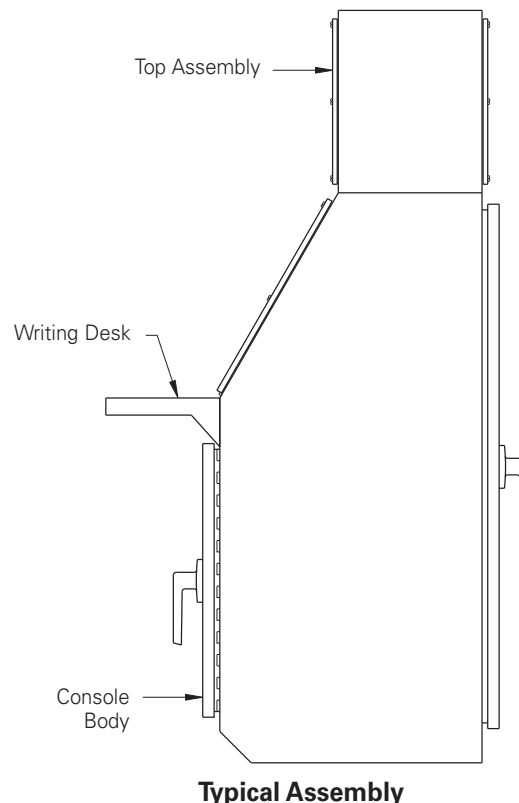
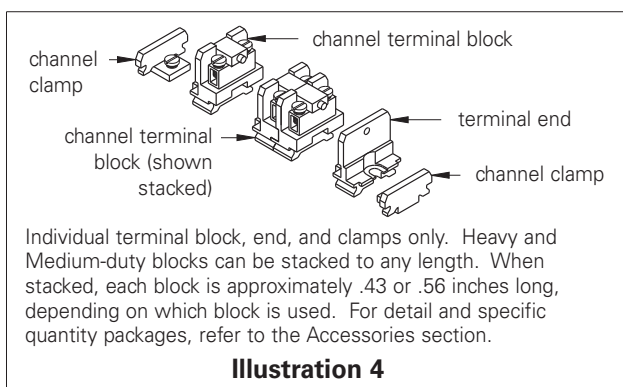
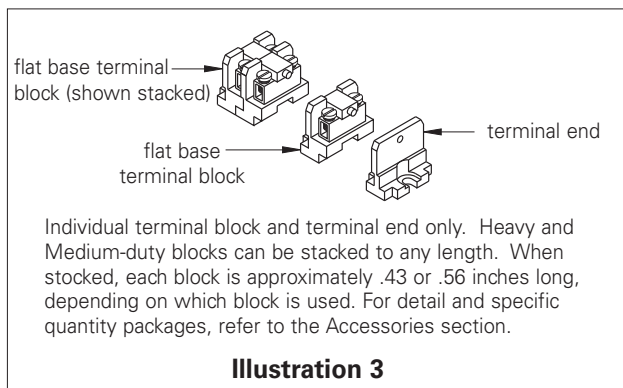
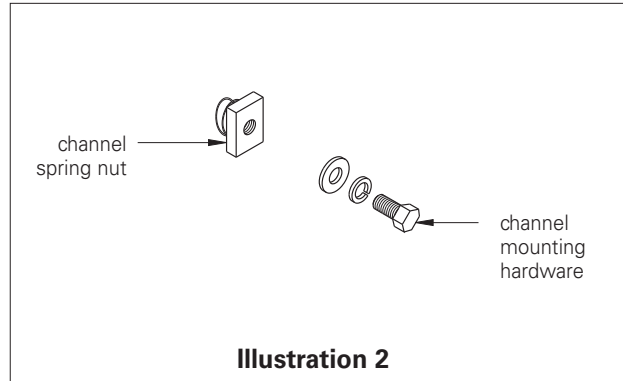
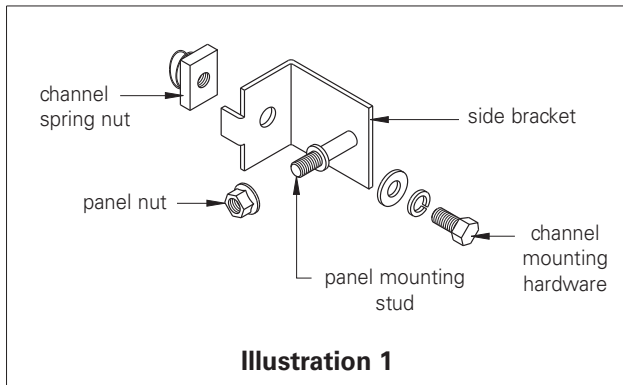
Illustration Sheet and Catalog Number

Discount Schedule: C2

Subclass: DR0

Catalog Number	Description	Fits Console Body	Illustration	Quantity
AFSBRKT1	Panel mounting bracket	AW-14 Series	1	1
AFCMH3	Channel mounting hardware	AW-14 Series	2	3
FTB3005	#18-#8 medium-duty flat base terminal block	AW-14 Series	3	1
FTE3001	Medium-duty flat base terminal block end	AW-14 Series	3	1
CTB3005	#18-#8 medium-duty channel terminal block	AW-12 Series	4	1
CTE3001	Medium-duty channel terminal block end	AW-12 Series	4	1
FT6005	#18-#4 heavy-duty flat base terminal block	AW-14 Series	3	1
FE6001	Heavy-duty flat base terminal block end	AW-14 Series	3	1
CT6005	#18-#4 heavy-duty channel terminal block	AW-12 Series	4	1
CE6001	Heavy-duty channel terminal block end	AW-12 Series	4	1
CTC2	Channel clamp	AW-12 Series	4	1
25012A	Channel Strip (72 inch)	AW-12 Series	-	1

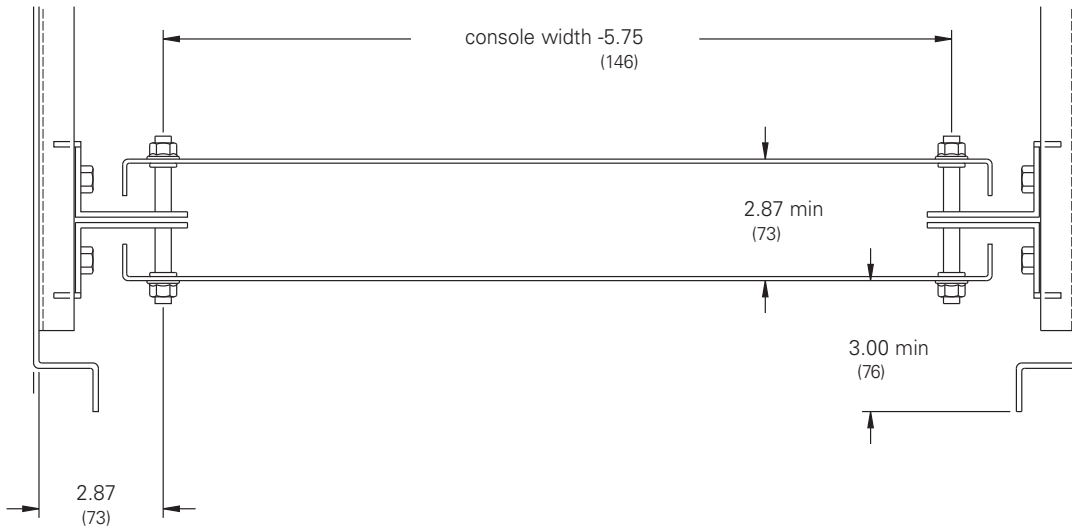
Operator Enclosures



Notes: Dimensions are in inches. Millimeters shown are for reference only. Data subject to change without notice.

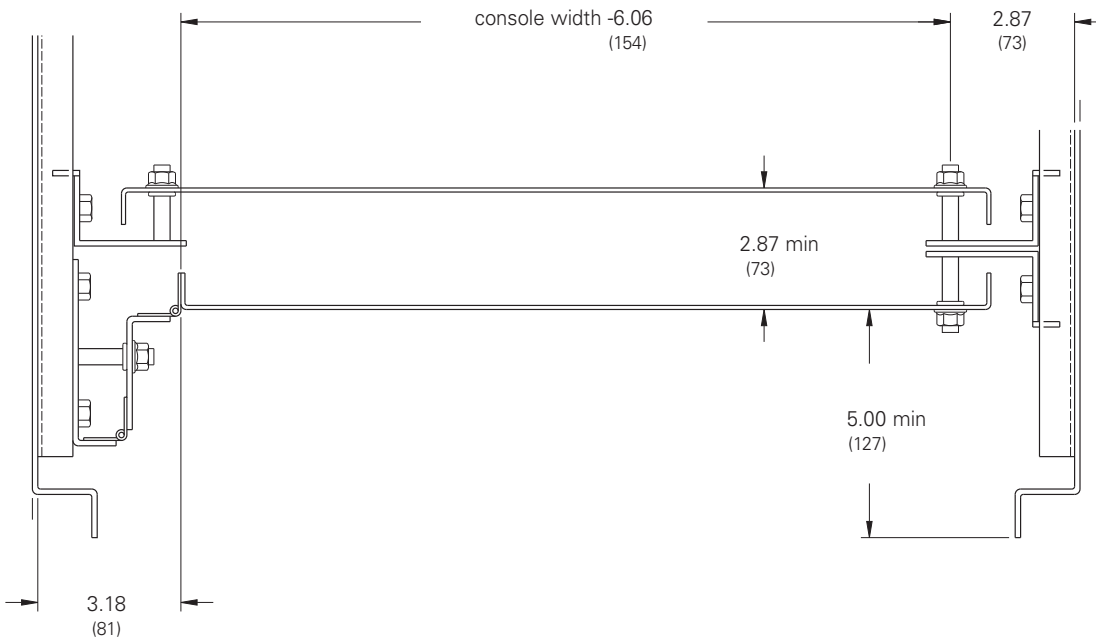
Console Details Type 12 - AW-14 Panel and Console Detail Sheet

Discount Schedule: C2
Subclass: DR0



Console Rear Access Door

(section view showing full and half panel mounted back-to-back)



Console Rear Access Door

(section view showing swing panel and half panel mounted back-to-back)

Notes: Dimensions are in inches. Millimeters shown are for reference only. Data subject to change without notice.

Operator Enclosures
