

# Type 4X Fiberglass Enclosures



JIC Enclosures Type 4X Lift-Off Screw Cover .....	256-257
JIC Enclosures Type 4X Hinged Screw Cover .....	258-259
JIC Enclosures Type 4X Hinged Quick-Release Cover .....	260-261
JIC Enclosures Type 4X Hinged Quick-Release Window Cover .....	262-263
JIC Enclosures Type 4X Premier™ Series Hinged Screw Cover .....	264-265
JIC Enclosures Type 4X Premier™ Series Hinged Quick-Release Cover .....	266-267
JIC Enclosures Type 4X Premier™ Series Hinged Quick-Release Clear Cover .....	268-269
JIC Enclosures Type 4X Small Junction .....	270-271
JIC Enclosures Type 4X Small Junction .....	272-273
Wall-Mount Enclosures Type 3R Continuous Hinge Cover .....	274-275
Wall-Mount Enclosures Type 4X Single-Door .....	276-277
Wall-Mount Enclosures Type 4X Double-Door .....	278-279
Ground-Mount Enclosures Type 4X Free-Standing Single-Door .....	280-281
Ground-Mount Enclosures Type 4X Free-Standing Double-Door .....	282-283
Pushbutton Enclosures Type 4X In-Line 30mm .....	284-285
Pushbutton Enclosures Type 4X In-Line 22mm .....	286-287
Pushbutton Enclosures Type 4X Multi-Hole 30mm .....	288-289
Fiberglass Back Panels .....	290-291
Fiberglass Accessories .....	292-294

Type 4X Fiberglass

# Type 4X Fiberglass Enclosures

## JIC Enclosures Type 4X Lift-Off Screw Cover Data Sheet



### Application

- Houses electrical and electronic controls and instruments
- Intended for indoor or outdoor use
- Ideally suited for harsh environments
- Protects against corrosion, windblown dust and rain, splashing water, hose directed water, and prolonged submersion

### Standards

- UL/cUL 50 Listed, Type 1, Type 3, Type 4X, Type 6P, Type 12
- Conforms to NEMA Standard for Type 1, Type 3, Type 4X, Type 6P, Type 12
- CSA 22.2, Type 1, Type 3, Type 4X, Type 6P, Type 12
- Temperature Range: -40°F to 250°F (-40°C to 120°C)
- Flammability Rating: UL94-5V
- Self Extinguishing: Non-flame propagating
- Chemical Resistance: (see chart, pages 464 - 467)

### Finish

- Gray color

### Accessories

- Back Panels (see page 290)
- See accessories (pages 292 - 293)

### Construction

- Enclosures are an impact resistant, non-conductive, light-weight hot compression molded fiberglass reinforced polyester
- Poured polyurethane seamless gasket provides watertight, dust-tight environmental seal
- Captive screws provide smooth surfaces
- 300 series stainless steel used on all external hardware
- Molded in flange for ease of mounting
- Stainless steel beaded chain for securing cover after lift off
- Integral mounting bosses utilize threaded brass inserts accepting #10-32 screws for mounting optional panel
- Rounded edges reduce build-up of dust and debris

### Discount Schedule: F2

### Subclass: G00

**Notes:** We can provide special modifications. Consult the factory for your special requirements.

## JIC Enclosures Type 4X Lift-Off Screw Cover Illustration Sheet and Catalog Number

Enclosure Catalog #	Overall Dimensions		Inside Dimensions		E		F		Hole Dia.		Panel No.
	H x W x D		A x B x C		in.	mm	in.	mm	in.	mm	
	in.	mm	in.	mm							
644-4XFLC	7.50 x 5.43 x 4.75	191 x 138 x 121	5.84 x 3.85 x 4.45	148 x 98 x 113	6.75	171	2.00	51	0.31	8	AW64__
664-4XFLC	7.50 x 7.50 x 4.75	191 x 191 x 121	5.72 x 5.72 x 4.45	145 x 145 x 113	6.75	171	4.00	101	0.31	8	AW66__
864-4XFLC	9.62 x 7.50 x 4.74	244 x 191 x 121	7.73 x 5.74 x 4.45	196 x 146 x 113	8.88	225	4.00	101	0.31	8	AW86__
884-4XFLC	9.56 x 9.38 x 4.89	243 x 238 x 124	7.73 x 7.73 x 4.64	196 x 196 x 118	8.75	222	6.00	152	0.31	8	AW88__
1084-4XFLC	11.62 x 9.41 x 4.25	295 x 239 x 108	9.73 x 7.73 x 3.98	247 x 196 x 101	10.75	273	6.00	152	0.31	8	AW108__
* 1085-4XFLC	11.62 x 9.37 x 5.06	295 x 238 x 129	9.73 x 7.73 x 4.83	247 x 196 x 123	10.75	273	6.00	152	0.31	8	AW108__
12105-4XFLC	13.56 x 11.43 x 5.21	344 x 291 x 132	11.79 x 9.80 x 4.94	299 x 249 x 125	12.75	324	8.00	203	0.31	8	AW1210__
12126-4XFLC	13.56 x 13.38 x 6.36	344 x 340 x 161	11.70 x 11.70 x 6.11	297 x 297 x 155	12.75	324	10.00	254	0.31	8	AW1212__
1476-4XFLC	15.87 x 8.75 x 6.81	403 x 222 x 173	14.00 x 7.00 x 6.56	356 x 178 x 167	15.00	381	5.00	127	0.31	8	AW147__
14126-4XFLC	15.50 x 13.50 x 6.25	394 x 343 x 159	13.53 x 11.55 x 5.94	344 x 293 x 151	14.62	371	10.00	254	0.31	8	AW1412__
16146-4XFLC	17.53 x 15.46 x 6.23	445 x 393 x 158	15.63 x 13.60 x 5.94	397 x 345 x 151	16.75	425	12.00	305	0.31	8	AW1614__
18168-4XFLC	19.62 x 17.61 x 8.82	498 x 447 x 224	17.69 x 15.69 x 8.45	449 x 399 x 215	18.88	479	12.00	305	0.31	8	AW1816__
20168-4XFLC	22.00 x 17.68 x 8.83	559 x 449 x 224	19.72 x 15.72 x 8.45	501 x 399 x 215	21.25	540	10.00	254	0.31	8	AW2016__J

Enclosure Catalog #	Dimensions									
	J		K		L		M		N	
	in.	mm	in.	mm	in.	mm	in.	mm	in.	mm
644-4XFLC	4.00	101	4.25	108	2.25	57	0.25	6	7.39	188
664-4XFLC	4.00	101	4.25	108	4.25	108	0.25	6	7.52	191
864-4XFLC	4.00	101	6.25	159	4.25	108	0.25	6	9.50	242
884-4XFLC	4.06	103	6.25	159	6.25	159	0.25	6	9.37	238
1084-4XFLC	3.50	89	8.25	209	6.25	159	0.25	6	11.35	288
* 1085-4XFLC	4.37	111	8.25	209	6.25	159	0.25	6	11.37	289
12105-4XFLC	4.50	114	10.25	260	8.25	209	0.25	6	13.41	341
12126-4XFLC	5.53	140	10.25	260	10.25	260	0.25	6	13.38	340
1476-4XFLC	6.12	156	12.25	311	5.25	133	0.25	6	15.75	400
14126-4XFLC	5.37	137	12.25	311	10.25	260	0.25	6	15.47	393
16146-4XFLC	5.36	136	14.25	362	12.25	311	0.25	6	17.45	443
18168-4XFLC	7.99	203	16.25	413	14.25	362	0.25	6	19.61	498
20168-4XFLC	8.00	203	18.25	464	14.25	362	0.25	6	21.68	551

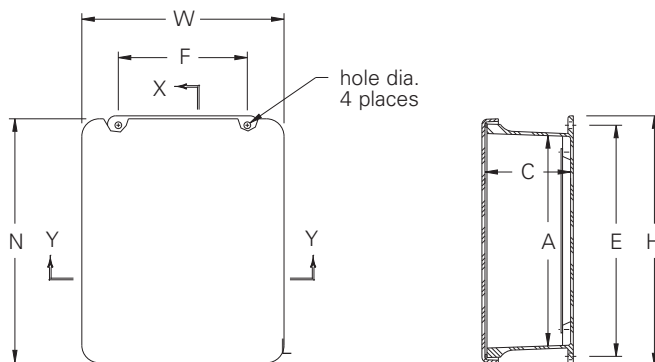
\* Crowned Cover

### Panel Finishes

Example: AW108\_\_

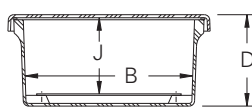
Insert for \_\_

P = Carbon Steel  
SP = Stainless Steel  
AP = Aluminum

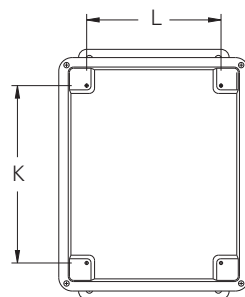


Front View

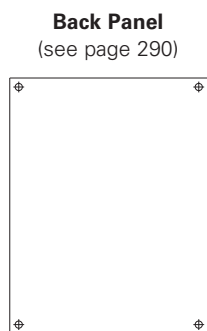
Section X-X



Section Y-Y



Front View Without Cover



Back Panel  
(see page 290)

Notes: Dimensions are in inches. Millimeters shown are for reference only. Data subject to change without notice.

# Type 4X Fiberglass Enclosures

## JIC Enclosures Type 4X Hinged Screw Cover Data Sheet



### Application

- Houses electrical and electronic controls and instruments
- Intended for indoor or outdoor use
- Ideally suited for harsh environments
- Protects against corrosion, windblown dust and rain, splashing water, hose directed water, and prolonged submersion

### Standards

- UL/cUL 50 Listed, Type 1, Type 3, Type 4X, Type 6P, Type 12
- Conforms to NEMA Standard for Type 1, Type 3, Type 4X, Type 6P, Type 12
- CSA 22.2, Type 1, Type 3, Type 4X, Type 6P, Type 12
- Temperature Range: -40°F to 250°F (-40°C to 120°C)
- Flammability Rating: UL94-5V
- Self Extinguishing: Non-flame propagating
- Chemical Resistance: (see chart, pages 464 - 467)

### Finish

- Gray color

### Accessories

- Back Panels (see page 290)
- See accessories (pages 292 - 293)

### Construction

- Enclosures are an impact resistant, non-conductive, light-weight hot compression molded fiberglass reinforced polyester
- Poured polyurethane seamless gasket provides watertight, dust-tight environmental seal
- Captive screws provide smooth surfaces
- 300 series stainless steel used on all external hardware
- Integral flange molded in place for ease of mounting
- Integral mounting bosses utilize threaded brass inserts accepting #10-32 screws for mounting optional panel
- Rounded edges reduce build-up of dust and debris
- Full length stainless steel hinged cover

### Discount Schedule: F2

### Subclass: G00

**Notes:** We can provide special modifications. Consult the factory for your special requirements.

## JIC Enclosures Type 4X Hinged Screw Cover Illustration Sheet and Catalog Number

Enclosure Catalog #	Overall Dimensions		Inside Dimensions		E		F		Hole Dia.		Panel No.
	H x W x D		A x B x C		in.	mm	in.	mm	in.	mm	
	in.	mm	in.	mm							
644-4XFCHSC	7.50 x 5.43 x 4.75	191 x 138 x 121	5.84 x 3.85 x 4.45	148 x 98 x 113	6.75	171	2.00	51	0.31	8	AW64__
664-4XFCHSC	7.50 x 7.50 x 4.75	191 x 191 x 121	5.72 x 5.72 x 4.45	145 x 145 x 113	6.75	171	4.00	101	0.31	8	AW66__
864-4XFCHSC	9.62 x 7.50 x 4.74	244 x 191 x 121	7.73 x 5.74 x 4.45	196 x 146 x 113	8.88	225	4.00	101	0.31	8	AW86__
884-4XFCHSC	9.56 x 9.38 x 4.89	243 x 238 x 124	7.73 x 7.73 x 4.64	196 x 196 x 119	8.75	222	6.00	152	0.31	8	AW88__
1084-4XFCHSC	11.62 x 9.41 x 4.25	295 x 239 x 108	9.73 x 7.73 x 3.98	247 x 196 x 101	10.75	273	6.00	152	0.31	8	AW108__
* 1085-4XFCHSC	11.62 x 9.37 x 5.06	295 x 238 x 129	9.73 x 7.73 x 4.83	247 x 196 x 123	10.75	273	6.00	152	0.31	8	AW108__
12105-4XFCHSC	13.56 x 11.43 x 5.21	344 x 291 x 132	11.79 x 9.80 x 4.94	299 x 249 x 125	12.75	324	8.00	203	0.31	8	AW1210__
12126-4XFCHSC	13.56 x 13.38 x 6.36	344 x 340 x 161	11.70 x 11.70 x 6.11	297 x 297 x 155	12.75	324	10.00	254	0.31	8	AW1212__
1476-4XFCHSC	15.87 x 8.75 x 6.81	403 x 222 x 173	14.00 x 7.00 x 6.56	356 x 178 x 167	15.00	381	5.00	127	0.31	8	AW147__
14126-4XFCHSC	15.50 x 13.50 x 6.25	394 x 343 x 159	13.53 x 11.55 x 5.94	344 x 293 x 151	14.62	371	10.00	254	0.31	8	AW1412__
16146-4XFCHSC	17.53 x 15.46 x 6.23	445 x 393 x 158	15.63 x 13.60 x 5.94	397 x 345 x 151	16.75	425	12.00	305	0.31	8	AW1614__
18168-4XFCHSC	19.62 x 17.61 x 8.82	498 x 447 x 224	17.69 x 15.69 x 8.45	449 x 399 x 215	18.88	479	12.00	305	0.31	8	AW1816__
20168-4XFCHSC	22.00 x 17.68 x 8.83	559 x 449 x 224	19.72 x 15.72 x 8.45	501 x 399 x 215	21.25	540	10.00	254	0.31	8	AW2016__

Enclosure Catalog #	Dimensions									
	J		K		L		M		N	
	in.	mm	in.	mm	in.	mm	in.	mm	in.	mm
644-4XFCHSC	4.00	101	4.25	108	2.25	57	0.25	6	7.39	188
664-4XFCHSC	4.00	101	4.25	108	4.25	108	0.25	6	7.52	191
864-4XFCHSC	4.00	101	6.25	159	4.25	108	0.25	6	9.50	242
884-4XFCHSC	4.06	103	6.25	159	6.25	159	0.25	6	9.37	238
1084-4XFCHSC	3.50	89	8.25	209	6.25	159	0.25	6	11.35	288
* 1085-4XFCHSC	4.37	111	8.25	209	6.25	159	0.25	6	11.37	289
12105-4XFCHSC	4.50	114	10.25	260	8.25	209	0.25	6	13.41	341
12126-4XFCHSC	5.53	140	10.25	260	10.25	260	0.25	6	13.38	340
1476-4XFCHSC	6.12	156	12.25	311	5.25	133	0.25	6	15.75	400
14126-4XFCHSC	5.37	137	12.25	311	10.25	260	0.25	6	15.47	393
16146-4XFCHSC	5.36	136	14.25	362	12.25	311	0.25	6	17.45	443
18168-4XFCHSC	7.99	203	16.25	413	14.25	362	0.25	6	19.61	498
20168-4XFCHSC	8.00	203	18.25	464	14.25	362	0.25	6	21.68	551

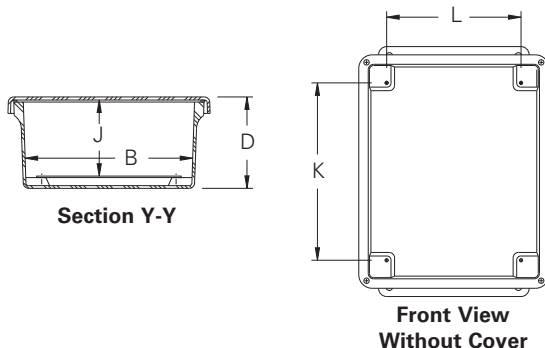
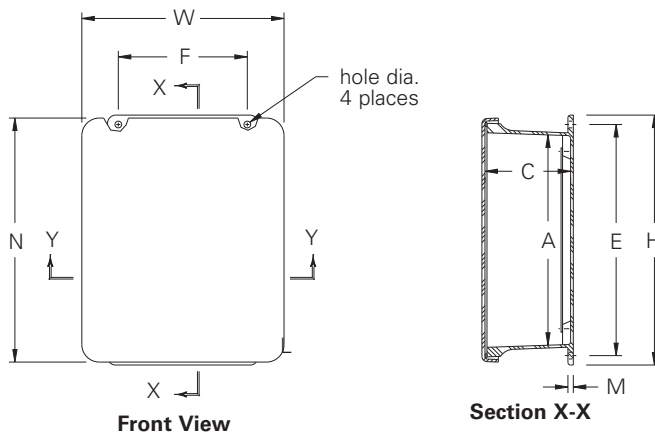
\* Crowned Cover

Panel Finishes

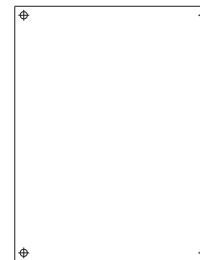
Example: AW108\_\_

Insert for \_\_

P = Carbon Steel  
SP = Stainless Steel  
AP = Aluminum



Back Panel  
(see page 290)



Notes: Dimensions are in inches. Millimeters shown are for reference only. Data subject to change without notice.

# Type 4X Fiberglass Enclosures

## JIC Enclosures Type 4X Hinged Quick-Release Cover Data Sheet



### Application

- Houses electrical and electronic controls and instruments
- Intended for indoor or outdoor use
- Ideally suited for harsh environments
- Protects against corrosion, windblown dust and rain, splashing water, hose directed water, and prolonged submersion

### Standards

- UL/cUL 50 Listed, Type 1, Type 3, Type 4X, Type 6P, Type 12
- Conforms to NEMA Standard for Type 1, Type 3, Type 4X, Type 6P, Type 12
- CSA 22.2, Type 1, Type 3, Type 4X, Type 6P, Type 12
- Temperature Range: -40°F to 250°F (-40°C to 120°C)
- Flammability Rating: UL94-5V
- Self Extinguishing: Non-flame propagating
- Chemical Resistance: (see chart, pages 464 - 467)

### Finish

- Gray color

### Accessories

- Back Panels (see page 290)
- See accessories (pages 292 - 293)

### Construction

- Enclosures are an impact resistant, non-conductive, light-weight hot compression molded fiberglass reinforced polyester
- Poured polyurethane seamless gasket provides watertight, dust-tight environmental seal
- Captive screws provide smooth surfaces
- 300 series stainless steel used on all external hardware
- Integral flange molded in place for ease of mounting
- Integral mounting bosses utilize threaded brass inserts accepting #10-32 screws for mounting optional panel
- Rounded edges reduce build-up of dust and debris
- Full length stainless steel hinged cover
- Padlocking latches provide quick access and optional closure locking (padlock not included)

### Discount Schedule: F2

### Subclass: G00

**Notes:** We can provide special modifications. Consult the factory for your special requirements.

## JIC Enclosures Type 4X Hinged Quick-Release Cover Illustration Sheet and Catalog Number

Enclosure Catalog #	Overall Dimensions		Inside Dimensions		E		F		Hole Dia.		Panel No.
	H x W x D		A x B x C		in.	mm	in.	mm	in.	mm	
	in.	mm	in.	mm							
644-4XFCHQRC	7.50 x 5.43 x 4.75	191 x 138 x 121	5.84 x 3.85 x 4.45	148 x 98 x 113	6.75	171	2.00	51	0.31	8	AW64__
664-4XFCHQRC	7.50 x 7.50 x 4.75	191 x 191 x 121	5.72 x 5.72 x 4.45	145 x 145 x 113	6.75	171	4.00	101	0.31	8	AW66__
864-4XFCHQRC	9.62 x 7.50 x 4.74	244 x 191 x 121	7.73 x 5.74 x 4.45	196 x 146 x 113	8.88	225	4.00	101	0.31	8	AW86__
884-4XFCHQRC	9.56 x 9.38 x 4.87	243 x 238 x 123	7.73 x 7.73 x 4.62	196 x 196 x 117	8.75	222	6.00	152	0.31	8	AW88__
1084-4XFCHQRC	11.62 x 9.41 x 4.25	295 x 239 x 108	9.73 x 7.73 x 3.98	247 x 196 x 101	10.75	273	6.00	152	0.31	8	AW108__
* 1085-4XFCHQRC	11.62 x 9.37 x 5.06	295 x 238 x 129	9.73 x 7.73 x 4.83	247 x 196 x 123	10.75	273	6.00	152	0.31	8	AW108__
12105-4XFCHQRC	13.56 x 11.43 x 5.21	344 x 291 x 132	11.79 x 9.80 x 4.94	299 x 249 x 125	12.75	324	8.00	203	0.31	8	AW1210__
12126-4XFCHQRC	13.56 x 13.38 x 6.36	344 x 340 x 161	11.70 x 11.70 x 6.11	297 x 297 x 155	12.75	324	10.00	254	0.31	8	AW1212__
1476-4XFCHQRC	15.87 x 8.75 x 6.81	403 x 222 x 173	14.00 x 7.00 x 6.56	356 x 178 x 167	15.00	381	5.00	127	0.31	8	AW147__
14126-4XFCHQRC	15.50 x 13.50 x 6.25	394 x 343 x 159	13.53 x 11.55 x 5.94	344 x 293 x 151	14.62	371	10.00	254	0.31	8	AW1412__
16146-4XFCHQRC	17.53 x 15.46 x 6.23	445 x 393 x 158	15.63 x 13.60 x 5.94	397 x 345 x 151	16.75	425	12.00	305	0.31	8	AW1614__
18168-4XFCHQRC	19.62 x 17.61 x 8.82	498 x 447 x 224	17.69 x 15.69 x 8.45	449 x 399 x 215	18.88	479	12.00	305	0.31	8	AW1816__
20168-4XFCHQRC	22.00 x 17.68 x 8.83	559 x 449 x 224	19.72 x 15.72 x 8.45	501 x 399 x 215	21.25	540	10.00	254	0.31	8	AW2016__J

Enclosure Catalog #	Dimensions									
	J		K		L		M		N	
	in.	mm	in.	mm	in.	mm	in.	mm	in.	mm
644-4XFCHQRC	4.00	101	4.25	108	2.25	57	0.25	6	7.39	188
664-4XFCHQRC	4.00	101	4.25	108	4.25	108	0.25	6	7.52	191
864-4XFCHQRC	4.00	101	6.25	159	4.25	108	0.25	6	9.50	242
884-4XFCHQRC	3.98	101	6.25	159	6.25	159	0.25	6	9.38	238
1084-4XFCHQRC	3.50	89	8.25	209	6.25	159	0.25	6	11.35	288
* 1085-4XFCHQRC	4.37	111	8.25	209	6.25	159	0.25	6	11.37	289
12105-4XFCHQRC	4.50	114	10.25	260	8.25	209	0.25	6	13.41	341
12126-4XFCHQRC	5.53	140	10.25	260	10.25	260	0.25	6	13.38	340
1476-4XFCHQRC	6.12	156	12.25	311	5.25	133	0.25	6	15.75	400
14126-4XFCHQRC	5.37	137	12.25	311	10.25	260	0.25	6	15.47	393
16146-4XFCHQRC	5.36	136	14.25	362	12.25	311	0.25	6	17.45	443
18168-4XFCHQRC	7.99	203	16.25	413	14.25	362	0.25	6	19.61	498
20168-4XFCHQRC	8.00	203	18.25	464	14.25	362	0.25	6	21.68	551

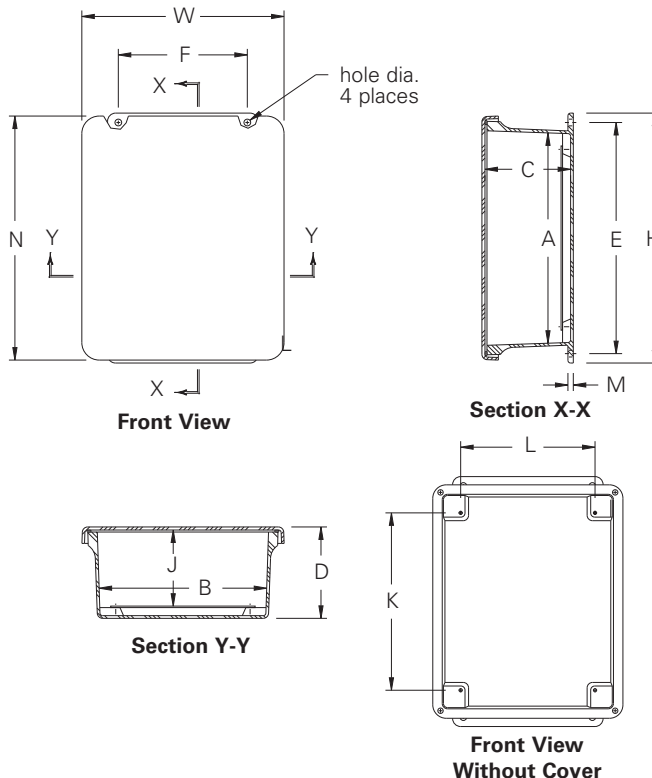
\* Crowned Cover

### Panel Finishes

Example: AW108\_\_

Insert for \_\_

P = Carbon Steel  
SP = Stainless Steel  
AP = Aluminum



Back Panel  
(see page 290)



**Notes:** Dimensions are in inches. Millimeters shown are for reference only. Data subject to change without notice.



# Type 4X Fiberglass Enclosures

## JIC Enclosures Type 4X Hinged Quick-Release Window Cover Data Sheet



### Application

- Houses electrical and electronic controls and instruments
- Intended for indoor or outdoor use
- Ideally suited for harsh environments
- Protects against corrosion, windblown dust and rain, splashing water, hose directed water, and prolonged submersion

### Standards

- UL/cUL 50 Listed, Type 1, Type 3, Type 4X, Type 6P, Type 12
- Conforms to NEMA Standard for Type 1, Type 3, Type 4X, Type 6P, Type 12
- CSA 22.2, Type 1, Type 3, Type 4X, Type 6P, Type 12
- Temperature Range: -40°F to 250°F (-40°C to 120°C)
- Flammability Rating: UL94-5V
- Self Extinguishing: Non-flame propagating
- Chemical Resistance: (see chart, pages 464 - 467)

### Finish

- Gray color

### Accessories

- Back Panels (see page 290)
- See accessories (pages 292 - 293)

### Construction

- Enclosures are an impact resistant, non-conductive, light-weight hot compression molded fiberglass reinforced polyester
- Poured polyurethane seamless gasket provides watertight, dust-tight environmental seal
- Captive screws provide smooth surfaces
- 300 series stainless steel used on all external hardware
- Integral flange molded in place for ease of mounting
- Integral mounting bosses utilize threaded brass inserts accepting #10-32 screws for mounting optional panel
- Rounded edges reduce build-up of dust and debris
- Full length stainless steel hinged cover
- Padlocking latches provide quick access and optional closure locking (padlock not included)
- Window utilizes a scratch resistant UVA acrylic material to provide internal component visibility

### Discount Schedule: F2

### Subclass: G00

**Notes:** We can provide special modifications. Consult the factory for your special requirements.



## JIC Enclosures Type 4X Hinged Quick-Release Window Cover Illustration Sheet and Catalog Number

Enclosure Catalog #	Overall Dimensions		Inside Dimensions		Window Area (Maximum)		Mtg. Dimension				Panel No.						
	H x W x D		A x B x C				E		F								
	in.	mm	in.	mm	in.	mm	in.	mm	in.	mm							
644-4XFCHQRCW	7.50	5.43 x 4.75	191	138 x 121	5.84	3.85 x 4.45	148	98 x 113	4.25	2.25	108	57	6.75	171	2.00	51	AW64__
664-4XFCHQRCW	7.50	7.50 x 4.75	191	191 x 121	5.72	5.72 x 4.45	145	145 x 113	4.25	4.25	108	108	6.75	171	4.00	101	AW66__
864-4XFCHQRCW	9.62	7.50 x 4.74	244	191 x 121	7.73	5.74 x 4.45	196	146 x 113	6.25	4.25	159	108	8.88	225	4.00	101	AW86__
1084-4XFCHQRCW	11.62	9.41 x 4.25	295	239 x 108	9.73	7.73 x 3.98	247	196 x 101	8.25	6.25	210	159	10.75	273	6.00	152	AW108__
* 1085-4XFCHQRCW	11.62	9.37 x 5.06	295	238 x 129	9.73	7.73 x 4.83	247	196 x 123	8.25	6.25	210	159	10.75	273	6.00	152	AW108__
12105-4XFCHQRCW	13.56	11.43 x 5.21	344	291 x 132	11.79	9.80 x 4.94	299	249 x 125	10.25	8.25	260	210	12.75	324	8.00	203	AW1210__
1476-4XFCHQRCW	15.87	8.75 x 6.81	403	222 x 173	14.00	7.00 x 6.56	356	178 x 167	12.75	5.75	324	146	15.00	381	5.00	127	AW147__
14126-4XFCHQRCW	15.50	13.50 x 6.25	394	343 x 159	13.53	11.55 x 5.94	344	293 x 151	12.25	10.25	311	260	14.62	371	10.00	254	AW1412__
16146-4XFCHQRCW	17.53	15.46 x 6.23	445	393 x 158	15.63	13.60 x 5.94	397	345 x 151	14.25	12.25	362	311	16.75	425	12.00	305	AW1614__
18168-4XFCHQRCW	19.62	17.61 x 8.82	498	447 x 224	17.69	15.69 x 8.45	449	399 x 215	16.25	14.25	413	362	18.88	479	12.00	305	AW1816__
20168-4XFCHQRCW	22.00	17.68 x 8.83	559	449 x 224	19.72	15.72 x 8.45	501	399 x 215	18.25	14.25	464	362	21.25	540	10.00	254	AW2016__

\* Crowned Cover

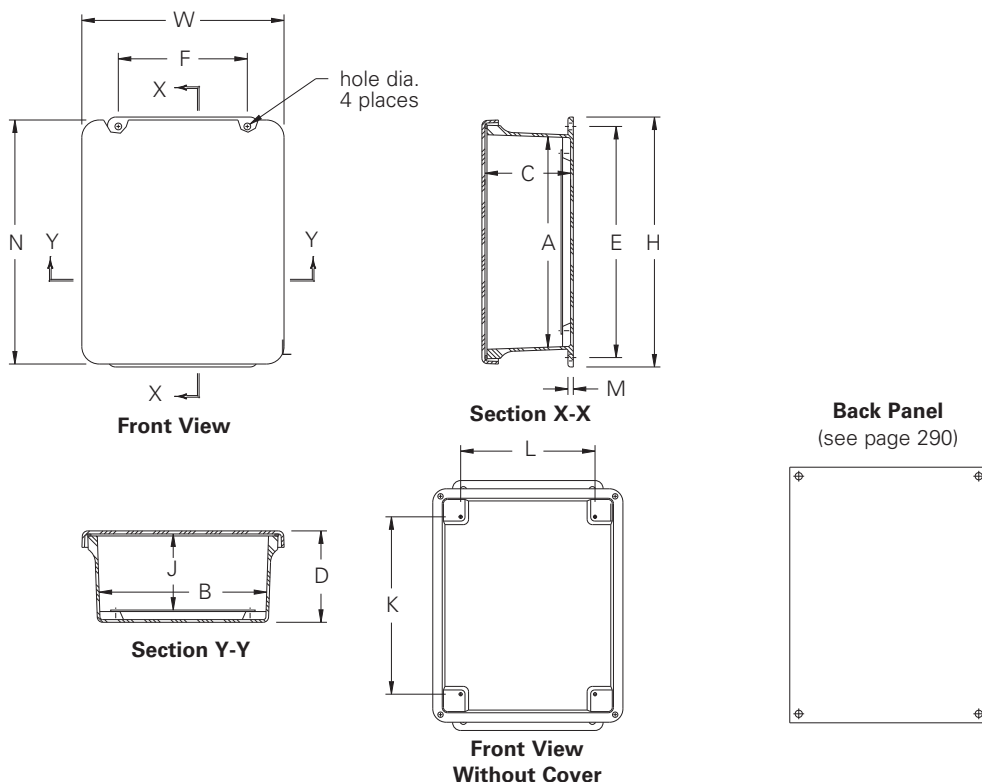
Enclosure Catalog #	Hole Dia.		Dimensions									
	in.	mm	J		K		L		M		N	
			in.	mm	in.	mm	in.	mm	in.	mm	in.	mm
644-4XFCHQRCW	0.31	8	4.00	101	4.25	108	2.25	57	0.25	6	7.39	188
664-4XFCHQRCW	0.31	8	4.00	101	4.25	108	4.25	108	0.25	6	7.52	191
864-4XFCHQRCW	0.31	8	4.00	101	6.25	159	4.25	108	0.25	6	9.50	242
1084-4XFCHQRCW	0.31	8	3.50	89	8.25	209	6.25	159	0.25	6	11.35	288
* 1085-4XFCHQRCW	0.31	8	4.37	111	8.25	209	6.25	159	0.25	6	11.37	289
12105-4XFCHQRCW	0.31	8	4.50	114	10.25	260	8.25	209	0.25	6	13.41	341
1476-4XFCHQRCW	0.31	8	6.12	156	12.25	311	5.25	133	0.25	6	15.75	400
14126-4XFCHQRCW	0.31	8	5.37	137	12.25	311	10.25	260	0.25	6	15.47	393
16146-4XFCHQRCW	0.31	8	5.36	136	14.25	362	12.25	311	0.25	6	17.45	443
18168-4XFCHQRCW	0.31	8	7.99	203	16.25	413	14.25	362	0.25	6	19.61	498
20168-4XFCHQRCW	0.31	8	8.00	203	18.25	464	14.25	362	0.25	6	21.68	551

### Panel Finishes

Example: AW108\_\_

Insert for \_\_

P = Carbon Steel  
SP = Stainless Steel  
AP = Aluminum



Notes: Dimensions are in inches. Millimeters shown are for reference only. Data subject to change without notice.

# Type 4X Fiberglass Enclosures

## JIC Enclosures Type 4X Premier™ Series Hinged Screw Cover Data Sheet



### Application

- Houses electrical and electronic controls and instruments
- Intended for indoor or outdoor use
- Ideally suited for harsh environments
- Protects against corrosion, windblown dust and rain, splashing water, and hose directed water

### Standards

- UL/cUL 50 Listed, Type 1, Type 3, Type 3s, Type 4X, Type 12, Type 13
- Conforms to NEMA Standard for Type 1, Type 3, Type 3s, Type 4X, Type 12, Type 13
- CSA 22.2, Type 1, Type 3, Type 3s, Type 4X, Type 12, Type 13
- Temperature Range: -40°F to 250°F (-40°C to 120°C)
- Flammability Rating: UL94-5V
- Self Extinguishing: Non-halogenated, Non-flame propagating
- Chemical Resistance: (see chart, pages 464 - 467)
- NFPA No. 101 Flame Spread, Class A (1)

### Finish

- Gray color

### Accessories

- Back Panels (see page 290)
- Mounting Foot kits (see page 294)
- See accessories (pages 292 - 293)

### Construction

- Enclosures are an impact resistant, non-conductive, light-weight hot compression molded fiberglass reinforced polyester
- Poured polyurethane seamless gasket provides watertight, dust-tight environmental seal
- Captive screws provide smooth surfaces
- 300 series stainless steel used on all external hardware
- Integral mounting bosses utilize threaded brass inserts accepting #10-32 screws for mounting optional panel
- Rounded edges reduce build-up of dust and debris
- Full 180° door opening

### Discount Schedule: F2

### Subclass: G00

**Notes:** We can provide special modifications. Consult the factory for your special requirements.

# Type 4X Fiberglass Enclosures

## JIC Enclosures Type 4X Premier™ Series Hinged Screw Cover Illustration Sheet and Catalog Number

Enclosure Catalog #	Overall Dimensions		Inside Dimensions		Mtg. Dimension		Optional Feet Mtg.		Panel No.
	H x W x D		A x B x C		P x R		E x F		
	in.	mm	in.	mm	in.	mm	in.	mm	
664-SDF	7.41x7.79x4.31	188x198x109	6.77x6.77x4.06	172x172x103	5.93x4.00	150x101	8.24x4.00	209x101	AW66__
864-SDF	9.41x7.79x4.31	239x198x109	8.77x6.77x4.06	228x172x103	7.91x4.00	201x101	10.21x4.00	259x101	AW86__
884-SDF	9.39x9.76x4.31	238x248x109	8.74x8.74x4.06	222x222x103	7.91x6.00	201x152	10.21x6.00	259x152	AW88__
1086-SDF	11.42x9.79x6.31	290x248x160	10.73x8.73x6.06	272x222x154	9.89x6.00	251x152	12.19x6.00	309x152	AW108__
12106-SDF	13.45x11.83x6.31	341x300x160	12.69x10.69x6.06	322x271x154	11.88x8.00	302x203	14.18x8.00	360x203	AW1210__
14126-SDF	15.49x13.86x6.34	393x352x161	14.72x12.72x6.06	374x323x154	13.91x10.00	353x254	16.21x10.00	412x254	AW1412__
14128-SDF	15.49x13.86x8.34	393x352x212	14.66x12.66x8.06	372x321x205	13.88x10.00	352x254	16.19x10.00	411x254	AW1412__
16148-SDF	17.58x15.96x8.34	446x405x212	16.69x14.69x8.06	424x373x205	15.96x12.00	405x205	18.26x12.00	464x305	AW1614__
181610-SDF	19.77x18.15x10.34	502x461x262	18.63x16.63x10.06	473x422x255	17.94x14.00	455x355	20.24x14.00	514x355	AW1816__
201610-SDF	21.79 x 18.16 x 10.34	553 x 461 x 262	20.63 x 16.63 x 10.06	524 x 422 x 255	19.96 x 14.00	507 x 355	22.26 x 14.00	565 x 355	AW2016__J

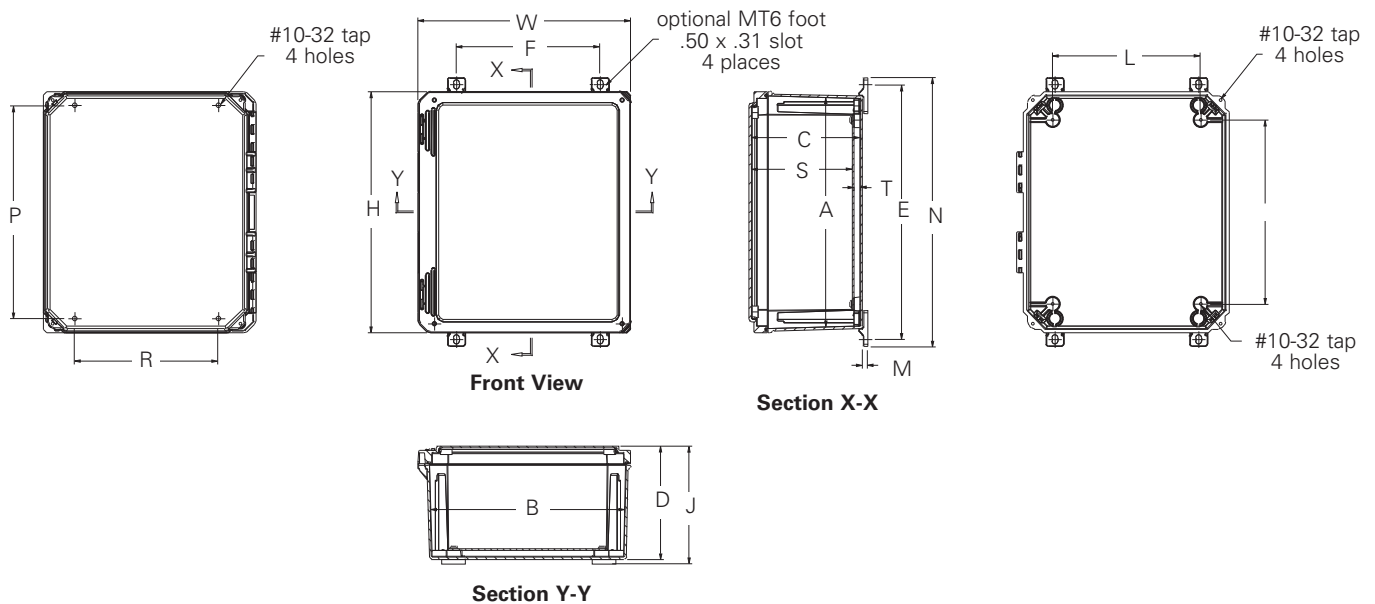
Enclosure Catalog #	Dimensions													
	K		L		S		T		N		J		M	
	in.	mm	in.	mm	in.	mm	in.	mm	in.	mm	in.	mm	in.	mm
664-SDF	4.25	108	4.25	108	3.60	91	0.38	9.6	9.02	229	4.56	116	0.25	6.35
864-SDF	6.25	159	4.25	108	3.60	91	0.38	9.6	10.98	279	4.56	116	0.25	6.35
884-SDF	6.25	159	6.25	159	3.60	91	0.38	9.6	10.98	279	4.56	116	0.25	6.35
1086-SDF	8.25	210	6.25	159	5.60	142	0.38	9.6	12.96	329	6.56	167	0.25	6.35
12106-SDF	10.25	260	8.25	210	5.60	142	0.38	9.6	14.95	380	6.56	167	0.25	6.35
14126-SDF	12.25	311	10.25	260	5.60	142	0.38	9.6	16.98	431	6.59	167	0.25	6.35
14128-SDF	12.25	311	10.25	260	7.60	193	0.38	9.6	16.96	431	8.59	218	0.25	6.35
16148-SDF	14.25	362	12.25	311	7.60	193	0.38	9.6	19.04	483	8.59	218	0.25	6.35
181610-SDF	16.25	413	14.25	362	9.60	244	0.38	9.6	21.02	534	10.59	269	0.25	6.35
201610-SDF	18.25	463	14.25	362	9.59	244	0.38	9.6	23.04	585	10.59	269	0.25	6.35

### Panel Finishes

Example: AW108\_\_

Insert for \_\_

P = Carbon Steel  
SP = Stainless Steel  
AP = Aluminum



**Notes:** Dimensions are in inches. Millimeters shown are for reference only. Data subject to change without notice.

# Type 4X Fiberglass Enclosures

## JIC Enclosures Type 4X Premier™ Series Hinged Quick-Release Cover Data Sheet



### Application

- Houses electrical and electronic controls and instruments
- Intended for indoor or outdoor use
- Ideally suited for harsh environments
- Protects against corrosion, windblown dust and rain, splashing water, and hose directed water

### Standards

- UL/cUL 50 Listed, Type 1, Type 3, Type 3s, Type 4X, Type 12, Type 13
- Conforms to NEMA Standard for Type 1, Type 3, Type 3s, Type 4X, Type 12, Type 13
- CSA 22.2, Type 1, Type 3, Type 3s, Type 4X, Type 12, Type 13
- Temperature Range: -40°F to 250°F (-40°C to 120°C)
- Flammability Rating: UL94-5V
- Window Flammability Rating: UL94V-0
- Self Extinguishing: Non-halogenated, Non-flame propagating
- Chemical Resistance: (see chart, pages 464 - 467)
- NFPA No. 101 Flame Spread, Class A (1)

### Finish

- Gray color

### Accessories

- Back Panels (see page 290)
- Mounting Foot kits (see page 294)
- See accessories (pages 292 - 293)

### Construction

- Enclosures are an impact resistant, non-conductive, light-weight hot compression molded fiberglass reinforced polyester
- Poured polyurethane seamless gasket provides watertight, dust-tight environmental seal
- Captive screws provide smooth surfaces
- 300 series stainless steel used on all external hardware
- Integral mounting bosses utilize threaded brass inserts accepting #10-32 screws for mounting optional panel
- Rounded edges reduce build-up of dust and debris
- Full 180° door opening
- Padlocking latches provide quick access and optional closure locking (padlock not included)
- Flush mounted scratch and abrasion resistant polycarbonate clear cover option provides internal component visibility

### Discount Schedule: F2

### Subclass: G00

**Notes:** We can provide special modifications. Consult the factory for your special requirements.

# Type 4X Fiberglass Enclosures

## JIC Enclosures Type 4X Premier™ Series Hinged Quick-Release Cover Illustration Sheet and Catalog Number

Enclosure Catalog #	Overall Dimensions H x W x D		Inside Dimensions A x B x C		Mtg. Dimension P x R		Optional Feet Mtg. E x F		Panel No.
	in.	mm	in.	mm	in.	mm	in.	mm	
664-SDFQR	7.41 x 7.79 x 4.31	188 x 198 x 109	6.77 x 6.77 x 4.06	172 x 172 x 103	5.93 x 4.00	150 x 101	8.24 x 4.00	209 x 101	AW66__
864-SDFQR	9.41 x 7.79 x 4.31	239 x 198 x 109	8.77 x 6.77 x 4.06	228 x 172 x 103	7.91 x 4.00	201 x 101	10.21 x 4.00	259 x 101	AW86__
884-SDFQR	9.39 x 9.76 x 4.31	238 x 248 x 109	8.74 x 8.74 x 4.06	222 x 222 x 103	7.91 x 6.00	201 x 152	10.21 x 6.00	259 x 152	AW88__
1086-SDFQR	11.42 x 9.79 x 6.31	290 x 248 x 160	10.73 x 8.73 x 6.06	272 x 222 x 154	9.89 x 6.00	251 x 152	12.19 x 6.00	309 x 152	AW108__
12106-SDFQR	13.45 x 11.83 x 6.31	341 x 300 x 160	12.69 x 10.69 x 6.06	322 x 271 x 154	11.88 x 8.00	302 x 203	14.18 x 8.00	360 x 203	AW1210__
14126-SDFQR	15.49 x 13.86 x 6.34	393 x 352 x 161	14.72 x 12.72 x 6.06	374 x 323 x 154	13.91 x 10.00	353 x 254	16.21 x 10.00	412 x 254	AW1412__
14128-SDFQR	15.49 x 13.86 x 8.34	393 x 352 x 212	14.66 x 12.66 x 8.06	372 x 321 x 205	13.88 x 10.00	352 x 254	16.19 x 10.00	411 x 254	AW1412__
16148-SDFQR	17.58 x 15.96 x 8.34	446 x 405 x 212	16.69 x 14.69 x 8.06	424 x 373 x 205	15.96 x 12.00	405 x 205	18.26 x 12.00	464 x 305	AW1614__
181610-SDFQR	19.77 x 18.15 x 10.34	502 x 461 x 262	18.63 x 16.63 x 10.06	473 x 422 x 255	17.94 x 14.00	455 x 355	20.24 x 14.00	514 x 355	AW1816__
201610-SDFQR	21.79 x 18.16 x 10.34	553 x 461 x 262	20.63 x 16.63 x 10.06	524 x 422 x 255	19.96 x 14.00	507 x 355	22.26 x 14.00	565 x 355	AW2016__J

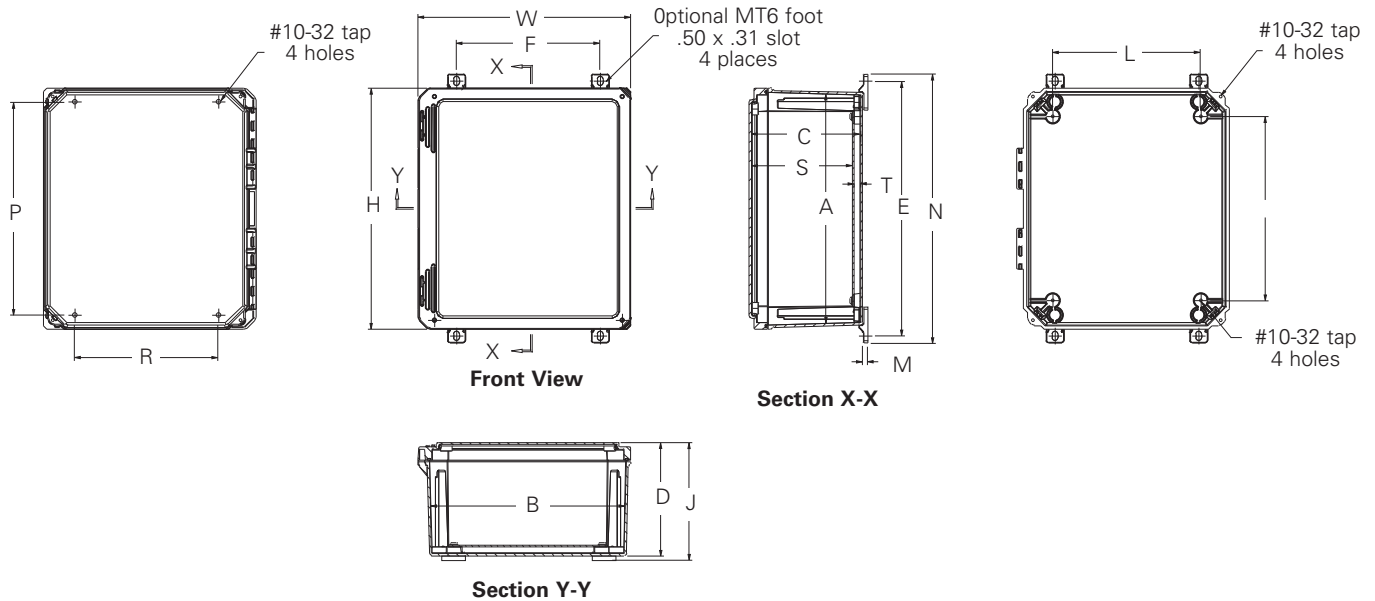
Enclosure Catalog #	Dimensions													
	K		L		S		T		N		M			
	in.	mm	in.	mm	in.	mm	in.	mm	in.	mm	in.	mm		
664-SDFQR	4.25	108	4.25	108	3.60	91	0.38	9.6	9.02	229	4.56	116	0.25	6.35
864-SDFQR	6.25	159	4.25	108	3.60	91	0.38	9.6	10.98	279	4.56	116	0.25	6.35
884-SDFQR	6.25	159	6.25	159	3.60	91	0.38	9.6	10.98	279	4.56	116	0.25	6.35
1086-SDFQR	8.25	210	6.25	159	5.60	142	0.38	9.6	12.96	329	6.56	167	0.25	6.35
12106-SDFQR	10.25	260	8.25	210	5.60	142	0.38	9.6	14.95	380	6.56	167	0.25	6.35
14126-SDFQR	12.25	311	10.25	260	5.60	142	0.38	9.6	16.98	431	6.59	167	0.25	6.35
14128-SDFQR	12.25	311	10.25	260	7.60	193	0.38	9.6	16.96	431	8.59	218	0.25	6.35
16148-SDFQR	14.25	362	12.25	311	7.60	193	0.38	9.6	19.04	483	8.59	218	0.25	6.35
181610-SDFQR	16.25	413	14.25	362	9.60	244	0.38	9.6	21.02	534	10.59	269	0.25	6.35
201610-SDFQR	18.25	463	14.25	362	9.59	244	0.38	9.6	23.04	585	10.59	269	0.25	6.35

### Panel Finishes

Example: AW108\_\_

Insert for \_\_

P = Carbon Steel  
SP = Stainless Steel  
AP = Aluminum



**Notes:** Dimensions are in inches. Millimeters shown are for reference only. Data subject to change without notice.

# Type 4X Fiberglass Enclosures

## JIC Enclosures

### Type 4X Premier™ Series Hinged Quick-Release Clear Cover

#### Data Sheet



#### Application

- Houses electrical and electronic controls and instruments
- Intended for indoor or outdoor use
- Ideally suited for harsh environments
- Protects against corrosion, windblown dust and rain, splashing water, and hose directed water

#### Standards

- UL/cUL 50 Listed, Type 1, Type 3, Type 3s, Type 4X, Type 12, Type 13
- Conforms to NEMA Standard for Type 1, Type 3, Type 3s, Type 4X, Type 12, Type 13
- CSA 22.2, Type 1, Type 3, Type 3s, Type 4X, Type 12, Type 13
- Temperature Range: -40°F to 250°F (-40°C to 120°C)
- Flammability Rating: UL94-5V
- Window Flammability Rating: UL94V-0
- Self Extinguishing: Non-halogenated, Non-flame propagating
- Chemical Resistance: (see chart, pages 464 - 467)
- NFPA No. 101 Flame Spread, Class A (1)

#### Finish

- Gray color

#### Accessories

- Back Panels (see page 290)
- Mounting Foot kits (see page 294)
- See accessories (pages 292 - 293)

#### Construction

- Enclosures are an impact resistant, non-conductive, light-weight hot compression molded fiberglass reinforced polyester
- Poured polyurethane seamless gasket provides watertight, dust-tight environmental seal
- Captive screws provide smooth surfaces
- 300 series stainless steel used on all external hardware
- Integral mounting bosses utilize threaded brass inserts accepting #10-32 screws for mounting optional panel
- Rounded edges reduce build-up of dust and debris
- Full 180° door opening
- Padlocking latches provide quick access and optional closure locking (padlock not included)
- Flush mounted scratch and abrasion resistant polycarbonate clear cover option provides internal component visibility

#### Discount Schedule: F2

#### Subclass: G00

**Notes:** We can provide special modifications. Consult the factory for your special requirements.

# Type 4X Fiberglass Enclosures

## JIC Enclosures Type 4X Premier™ Series Hinged Quick-Release Clear Cover Illustration Sheet and Catalog Number

Enclosure Catalog #	Overall Dimensions H x W x D		Inside Dimensions A x B x C		Mtg. Dimension P x R		Optional Feet Mtg. E x F		Panel No.
	in.	mm	in.	mm	in.	mm	in.	mm	
664-SDFQRCC	7.41 x 7.79 x 4.31	188 x 198 x 109	6.77 x 6.77 x 4.06	172 x 172 x 103	5.93 x 4.00	150 x 101	8.24 x 4.00	209 x 101	AW66__
864-SDFQRCC	9.41 x 7.79 x 4.31	239 x 198 x 109	8.77 x 6.77 x 4.06	228 x 172 x 103	7.91 x 4.00	201 x 101	10.21 x 4.00	259 x 101	AW86__
884-SDFQRCC	9.39 x 9.76 x 4.31	238 x 248 x 109	8.74 x 8.74 x 4.06	222 x 222 x 103	7.91 x 6.00	201 x 152	10.21 x 6.00	259 x 152	AW88__
1086-SDFQRCC	11.42 x 9.79 x 6.31	290 x 248 x 160	10.73 x 8.73 x 6.06	272 x 222 x 154	9.89 x 6.00	251 x 152	12.19 x 6.00	309 x 152	AW108__
12106-SDFQRCC	13.45 x 11.83 x 6.31	341 x 300 x 160	12.69 x 10.69 x 6.06	322 x 271 x 154	11.88 x 8.00	302 x 203	14.18 x 8.00	360 x 203	AW1210__
14126-SDFQRCC	15.49 x 13.86 x 6.34	393 x 352 x 161	14.72 x 12.72 x 6.06	374 x 323 x 154	13.91 x 10.00	353 x 254	16.21 x 10.00	412 x 254	AW1412__
14128-SDFQRCC	15.49 x 13.86 x 8.34	393 x 352 x 212	14.66 x 12.66 x 8.06	372 x 321 x 205	13.88 x 10.00	352 x 254	16.19 x 10.00	411 x 254	AW1412__
16148-SDFQRCC	17.58 x 15.96 x 8.34	446 x 405 x 212	16.69 x 14.69 x 8.06	424 x 373 x 205	15.96 x 12.00	405 x 205	18.26 x 12.00	464 x 305	AW1614__

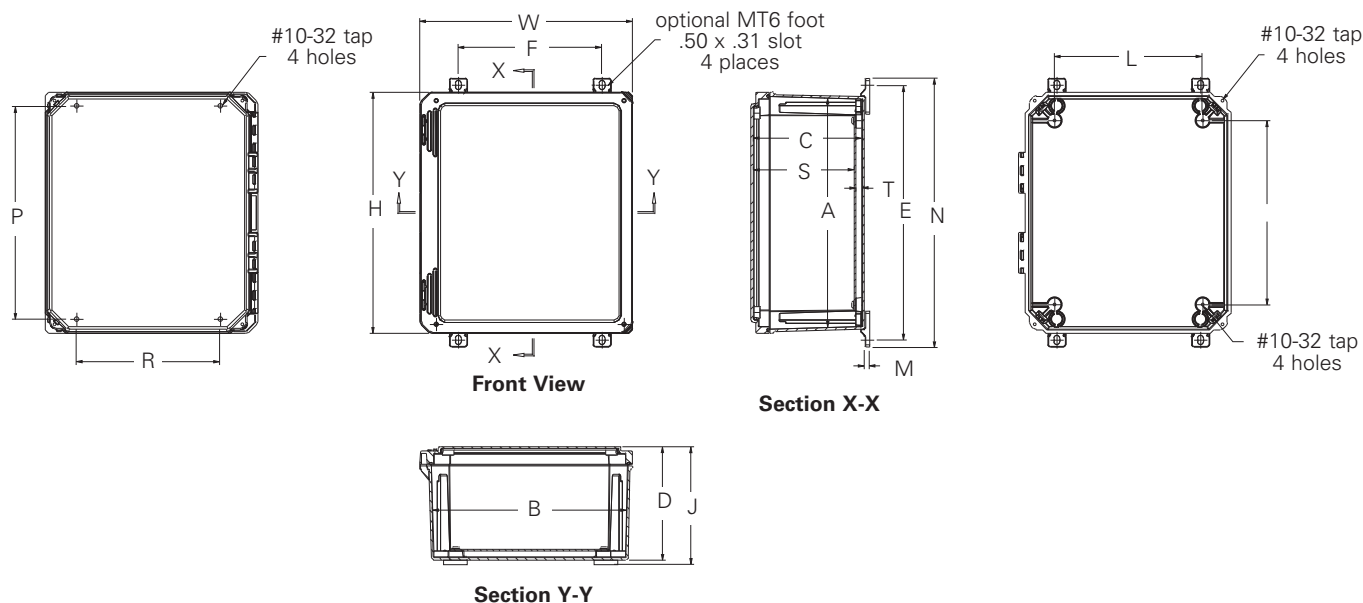
Enclosure Catalog #	Dimensions													
	K		L		S		T		N		J		M	
	in.	mm	in.	mm	in.	mm	in.	mm	in.	mm	in.	mm	in.	mm
664-SDFQRCC	4.25	108	4.25	108	3.60	91	0.38	9.6	9.02	229	4.56	116	0.25	6.35
864-SDFQRCC	6.25	159	4.25	108	3.60	91	0.38	9.6	10.98	279	4.56	116	0.25	6.35
884-SDFQRCC	6.25	159	6.25	159	3.60	91	0.38	9.6	10.98	279	4.56	116	0.25	6.35
1086-SDFQRCC	8.25	210	6.25	159	5.60	142	0.38	9.6	12.96	329	6.56	167	0.25	6.35
12106-SDFQRCC	10.25	260	8.25	210	5.60	142	0.38	9.6	14.95	380	6.56	167	0.25	6.35
14126-SDFQRCC	12.25	311	10.25	260	5.60	142	0.38	9.6	16.98	431	6.59	167	0.25	6.35
14128-SDFQRCC	12.25	311	10.25	260	7.60	193	0.38	9.6	16.96	431	8.59	218	0.25	6.35
16148-SDFQRCC	14.25	362	12.25	311	7.60	193	0.38	9.6	19.04	483	8.59	218	0.25	6.35

### Panel Finishes

Example: AW108\_\_

Insert for \_\_

P = Carbon Steel  
SP = Stainless Steel  
AP = Aluminum



**Notes:** Dimensions are in inches. Millimeters shown are for reference only. Data subject to change without notice.



# Type 4X Fiberglass Enclosures

## JIC Enclosures Type 4X Small Junction Data Sheet



### Application

- Houses electrical and electronic controls and instruments
- Intended for indoor or outdoor use
- Ideally suited for harsh environments
- Protects against corrosion, windblown dust and rain, splashing water, hose directed water, and prolonged submersion

### Standards

- UL/cUL 50 Listed, Type 1, Type 3R, Type 4X, Type 6P, Type 12
- Conforms to NEMA Standard for Type 1, Type 3R, Type 4X, Type 6P, Type 12
- CSA 22.2, Type 1, Type 3R, Type 4X, Type 6P, Type 12
- Temperature Range: -40°F to 250°F (-40°C to 120°C)
- Flammability Rating: UL94-5V
- Self Extinguishing: Non-flame propagating
- Chemical Resistance: (see chart, pages 464 - 467)

### Finish

- Gray color

### Accessories

- Mounting Foot kits (see page 294)
- See accessories (pages 292 - 293)

### Construction

- Enclosures are an impact resistant, non-conductive, light-weight hot compression molded fiberglass reinforced polyester
- Poured polyurethane seamless gasket provides watertight, dust-tight environmental seal
- Recessed captive screws provide smooth surfaces
- 300 series stainless steel used on all external hardware
- Rounded edges reduce build-up of dust and debris

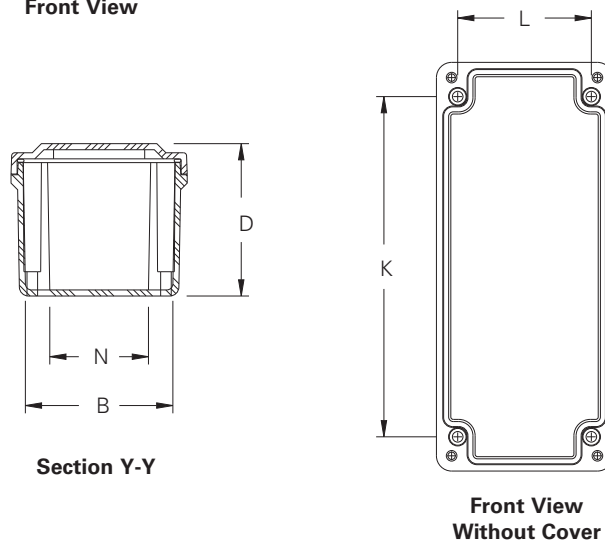
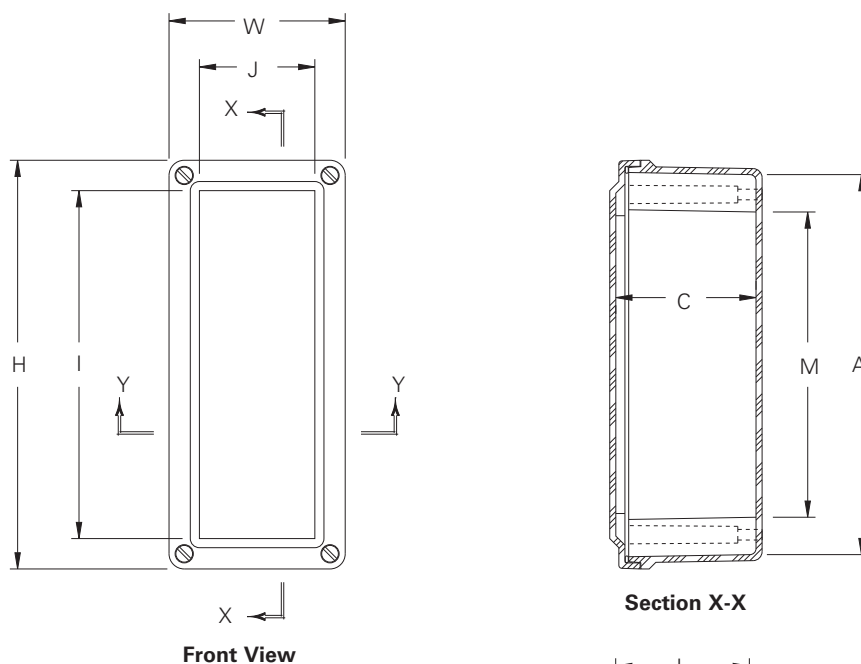
### Discount Schedule: F2

### Subclass: G00

**Notes:** We can provide special modifications. Consult the factory for your special requirements.

## JIC Enclosures Type 4X Small Junction Illustration Sheet and Catalog Number

Enclosure Catalog #	Overall Dimensions		Inside Dimensions		Dimensions											
	H x W x D		A x B x C		I		J		K		L		M		N	
	in.	mm	in.	mm	in.	mm	in.	mm	in.	mm	in.	mm	in.	mm	in.	mm
332-4XFSC	3.72 x 3.63 x 2.95	95 x 92 x 75	3.13 x 3.03 x 2.70	79 x 77 x 69	3.22	82	2.12	54	2.31	59	2.75	70	1.59	40	2.03	52
532-4XFSC	5.97 x 3.63 x 3.14	152 x 92 x 80	5.38 x 3.03 x 2.87	137 x 77 x 73	5.72	120	2.38	61	4.56	116	2.75	70	3.84	98	2.03	52
644-4XFSC	6.63 x 3.81 x 3.89	168 x 97 x 99	6.00 x 3.19 x 3.63	153 x 81 x 92	5.31	135	2.50	64	4.88	124	2.94	75	4.13	105	2.19	56
832-4XFSC	8.41 x 3.63 x 3.14	214 x 92 x 80	7.82 x 3.03 x 2.87	199 x 77 x 73	7.16	182	2.38	60	7.00	178	2.75	70	6.28	160	2.03	52
844-4XFSC	8.41 x 3.63 x 3.14	225 x 97 x 99	8.26 x 3.19 x 3.63	210 x 81 x 92	7.56	192	2.50	64	7.13	181	2.94	75	6.38	162	2.19	56
932-4XFSC	9.35 x 3.63 x 3.14	237 x 92 x 80	8.75 x 3.03 x 2.87	222 x 77 x 73	8.10	206	2.38	60	7.94	202	2.75	70	7.22	183	2.03	52
1144-4XFSC	11.13 x 3.81 x 3.89	283 x 97 x 99	10.51 x 3.19 x 3.63	267 x 81 x 92	9.81	249	2.50	64	9.37	238	2.94	75	8.63	219	2.19	56
1432-4XFSC	13.78 x 3.63 x 3.14	350 x 92 x 80	13.19 x 3.03 x 2.87	335 x 77 x 73	12.53	318	2.38	60	12.37	314	2.75	70	11.66	296	2.03	52
1732-4XFSC	17.35 x 3.63 x 3.14	441 x 92 x 80	16.75 x 3.03 x 2.87	426 x 77 x 73	16.10	409	2.38	60	15.94	405	2.75	70	15.22	387	2.03	52



**Notes:** Dimensions are in inches. Millimeters shown are for reference only. Data subject to change without notice.

# Type 4X Fiberglass Enclosures

## JIC Enclosures Type 4X Small Junction Data Sheet



### Application

- Houses electrical and electronic controls and instruments
- Intended for indoor or outdoor use
- Ideally suited for harsh environments
- Protects against corrosion, windblown dust and rain, splashing water, hose directed water, and prolonged submersion

### Standards

- UL/cUL 50 Listed, Type 1, Type 3R, Type 4X, Type 6P, Type 12
- Conforms to NEMA Standard for Type 1, Type 3R, Type 4X, Type 6P, Type 12
- CSA 22.2, Type 1, Type 3R, Type 4X, Type 6P, Type 12
- Temperature Range: -40°F to 250°F (-40°C to 120°C)
- Flammability Rating: UL94-5V
- Self Extinguishing: Non-flame propagating
- Chemical Resistance: (see chart, pages 464 - 467)

### Finish

- Gray color

### Accessories

- Back Panels (see page 290)
- Mounting Foot kits (see page 294)
- See accessories (pages 292 - 293)

### Construction

- Enclosures are an impact resistant, non-conductive, light-weight hot compression molded fiberglass reinforced polyester
- Poured polyurethane seamless gasket provides watertight, dust-tight environmental seal
- Captive screws provide smooth surfaces
- 300 series stainless steel used on all external hardware
- Integral mounting bosses utilize threaded brass inserts accepting #10-32 screws for mounting optional panel
- Rounded edges reduce build-up of dust and debris

### Discount Schedule: F2

### Subclass: G00

**Notes:** We can provide special modifications. Consult the factory for your special requirements.

## JIC Enclosures Type 4X Small Junction Illustration Sheet and Catalog Number

Enclosure Catalog #	Overall Dimensions		Inside Dimensions		Dimensions								Panel No.
	H x W x D		A x B x C		E		F		J		K		
	in.	mm	in.	mm	in.	mm	in.	mm	in.	mm	in.	mm	
763-4XFSC	7.63 x 6.63 x 3.19	194 x 168 x 81	6.90 x 5.90 x 2.88	175x150x73	5.37	137	5.63	143	2.48	63	5.37	137	AW76__
963-4XFSC	9.87 x 6.63 x 3.19	251 x 168 x 81	9.15 x 5.90 x 2.88	232x150x73	7.62	194	5.63	143	2.48	63	7.62	194	AW96__

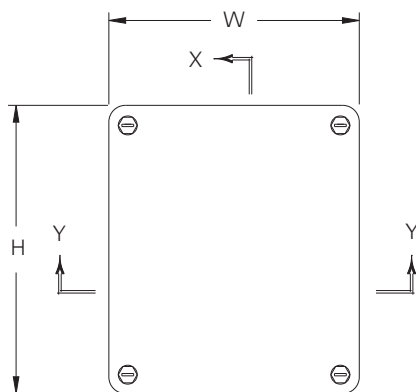
Enclosure Catalog #	Dimensions					
	L		M		N	
	in.	mm	in.	mm	in.	mm
763-4XFSC	4.25	108	4.52	115	4.90	124
963-4XFSC	4.25	108	6.77	172	4.90	124

### Panel Finishes

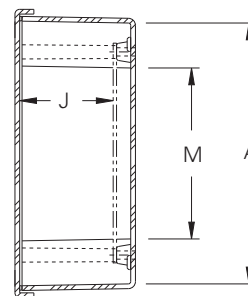
Example: AW108\_\_

Insert for \_\_

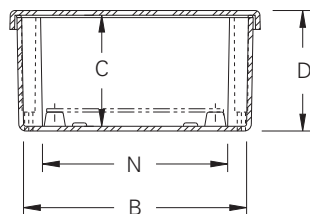
P = Carbon Steel  
SP = Stainless Steel  
AP = Aluminum



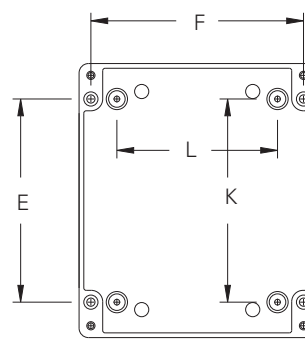
Front View



Section X-X



Section Y-Y



Front View  
Without Cover

**Notes:** Dimensions are in inches. Millimeters shown are for reference only. Data subject to change without notice.

# Type 4X Fiberglass Enclosures

## Wall-Mount Enclosures Type 3R Continuous Hinge Cover Data Sheet



### Application

- Houses electrical, electronic, instrument, and mechanical controls
- Intended for indoor or outdoor use
- Ideally suited for harsh environments
- Protects against corrosion, falling rain, sleet, and external ice formation

### Standards

- UL/cUL 50 Listed, Type 1, Type 3, Type 3R
- Conforms to NEMA Standard for Type 1, Type 3, Type 3R
- CSA 22.2, Type 1, Type 3, Type 3R
- Temperature Range: -40°F to 250°F (-40°C to 120°C)
- Flammability Rating: UL94-5V
- Self Extinguishing: Non-flame propagating
- Chemical Resistance: (see chart, pages 464 - 467)

### Finish

- Gray color

### Accessories

- Back Panels (pages 290 - 291)
- See accessories (pages 292 - 293)

### Construction

- Enclosures are an impact resistant, non-conductive, light-weight hot compression molded fiberglass reinforced polyester
- Poured polyurethane seamless gasket provides watertight, dust-tight environmental seal
- Rain shield to protect against incidental water ingress
- Twist lock latches provide ease of entry into enclosure
- 300 series stainless steel used on all external hardware
- Integral mounting feet molded in place for ease of mounting
- Integral mounting bosses utilize threaded brass inserts accepting #10-32 screws for mounting optional panel
- Rounded edges reduce build-up of dust and debris
- Full length stainless steel hinged cover
- Built in padlock hasp provide optional secure closure locking (padlock not included)

### Discount Schedule: F2

### Subclass: G00

**Notes:** We can provide special modifications. Consult the factory for your special requirements.

## Wall-Mount Enclosures Type 3R Continuous Hinge Cover Illustration Sheet and Catalog Number

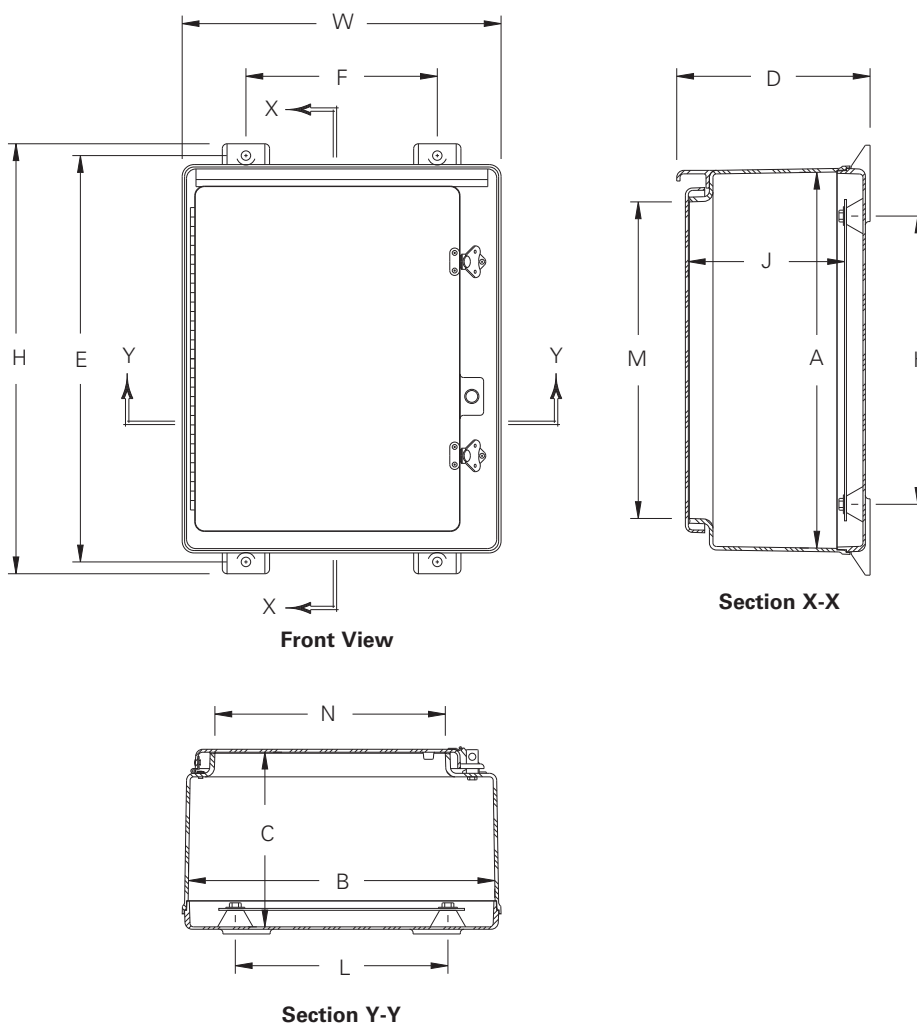
Enclosure Catalog #	Overall Dimensions		Inside Dimensions		Dimensions										Panel Number								
	H x W x D		A x B x C		E		F		J		K		L			M		N					
	in.	mm	in.	mm	in.	mm	in.	mm	in.	mm	in.	mm	in.	mm		in.	mm	in.	mm				
242410-RHCF	27.00	25.24 x 11.90	686	641 x 302	24.05	24.39 x 11.25	611	619 x 286	25.75	654	17.87	454	10.25	260	19.25	489	19.25	489	21.25	540	20.00	508	AWF2424__
30208-RHCF	32.86	20.99 x 9.89	835	533 x 251	29.90	20.14 x 9.23	760	511 x 234	31.75	806	14.25	362	8.23	209	25.25	641	15.25	387	27.00	686	16.50	419	AWF3020__
302010-RHCF	32.86	20.99 x 11.89	835	533 x 302	29.90	20.14 x 11.23	760	511 x 285	31.75	806	14.25	362	10.23	260	25.25	641	15.25	387	27.00	686	16.50	419	AWF3020__
302410-RHCF	33.41	26.32 x 11.95	849	668 x 304	30.46	25.47 x 11.27	774	647 x 286	32.25	819	18.50	470	10.27	261	25.25	641	19.25	489	27.38	695	21.25	540	AWF3024__
302412-RHCF	33.41	26.32 x 13.79	849	668 x 350	30.46	25.47 x 13.10	774	647 x 333	32.25	819	18.50	470	12.10	307	25.25	641	19.25	489	27.38	695	21.25	540	AWF3024__
36308-RHCF	39.31	32.50 x 10.05	999	826 x 255	36.31	31.69 x 9.36	922	805 x 238	38.13	968	23.88	606	8.36	212	31.25	794	25.25	641	33.25	845	27.25	692	AWF3630__
363010-RHCF	39.31	32.50 x 12.05	999	826 x 306	36.31	31.69 x 11.36	922	805 x 289	38.13	968	23.88	606	10.36	263	31.25	794	25.25	641	33.25	845	27.25	692	AWF3630__
363012-RHCF	39.31	32.50 x 14.05	999	826 x 357	36.31	31.69 x 13.36	922	805 x 339	38.13	968	23.88	606	12.36	314	31.25	794	25.25	641	33.25	845	27.25	692	AWF3630__
483612-RHCF	51.29	36.62 x 14.43	1303	930 x 367	48.33	36.22 x 13.25	1228	920 x 336	50.12	1273	29.25	743	12.25	311	43.25	1099	31.25	794	45.25	1149	32.00	813	AWF4836__
483616-RHCF	51.29	36.62 x 18.43	1303	930 x 468	48.33	36.22 x 17.25	1228	920 x 438	50.12	1273	29.25	743	16.25	413	43.25	1099	31.25	794	45.25	1149	32.00	813	AWF4836__

### Panel Finishes

Example: AW108\_\_

Insert for \_\_

P = Carbon Steel  
SP = Stainless Steel  
AP = Aluminum



**Notes:** Dimensions are in inches. Millimeters shown are for reference only. Data subject to change without notice.

# Type 4X Fiberglass Enclosures

## Wall-Mount Enclosures Type 4X Single Door Data Sheet



### Application

- Houses electrical, electronic, instrument, and mechanical controls
- Intended for indoor or outdoor use
- Ideally suited for harsh environments
- Protects against corrosion, windblown dust and rain, splashing water, and hose directed water

### Standards

- UL/cUL 50 Listed, Type 1, Type 3, Type 3R, Type 4X, Type 12
- Conforms to NEMA Standard for Type 1, Type 3, Type 3R, Type 4X, Type 12
- CSA 22.2, Type 1, Type 3, Type 3R, Type 4X, Type 12
- Temperature Range: -40°F to 250°F (-40°C to 120°C)
- Flammability Rating: UL94-5V
- Self Extinguishing: Non-flame propagating
- Chemical Resistance: (see chart, pages 464 - 467)

### Finish

- Gray color

### Accessories

- Back Panels (pages 290 - 291)
- See accessories (pages 292 - 293)

### Construction

- Enclosures are an impact resistant, non-conductive, light-weight hot compression molded fiberglass reinforced polyester
- Poured polyurethane seamless gasket provides watertight, dust-tight environmental seal
- Twist lock latches provide ease of entry into enclosure
- 300 series stainless steel used on all external hardware
- Integral mounting feet molded in place for ease of mounting
- Integral mounting bosses utilize threaded brass inserts accepting #10-32 screws for mounting optional panel
- Rounded edges reduce build-up of dust and debris
- Full length stainless steel hinged cover
- Built in padlock hasp provide optional secure closure locking (padlock not included)

### Discount Schedule: F2

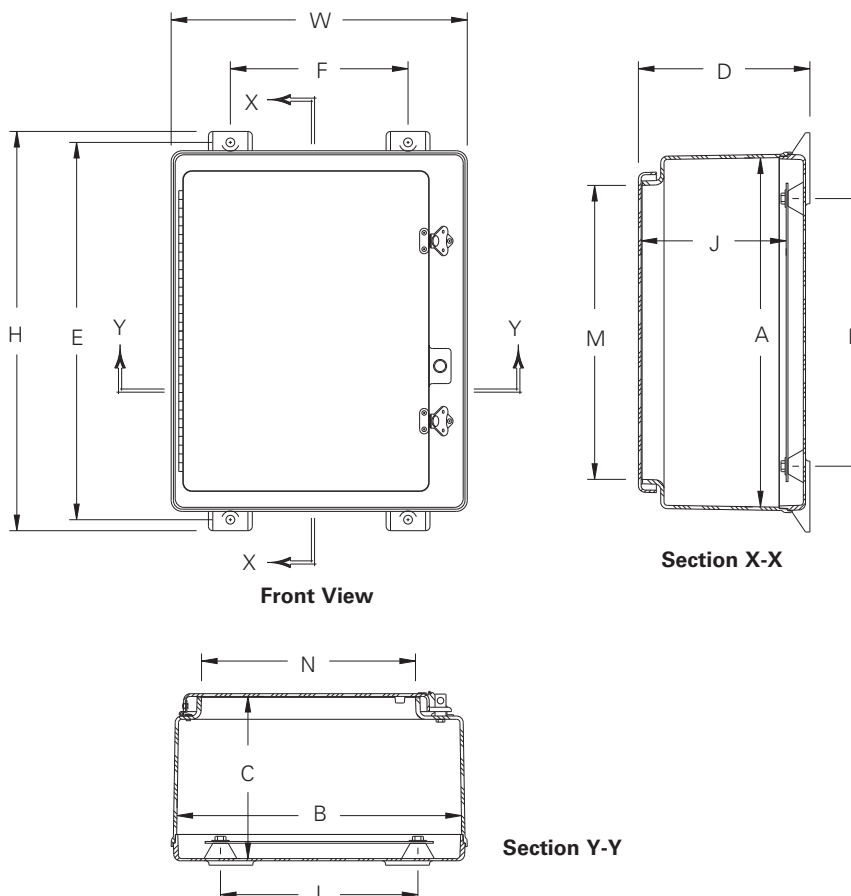
### Subclass: G00

**Notes:** We can provide special modifications. Consult the factory for your special requirements.



## Wall-Mount Enclosures Type 4X Single-Door Illustration Sheet and Catalog Number

Enclosure Catalog #	Overall Dimensions		Inside Dimensions		Dimensions										Panel Number				
	H x W x D		A x B x C		E		F		J		K		L			M		N	
	in.	mm	in.	mm	in.	mm	in.	mm	in.	mm	in.	mm	in.	mm		in.	mm	in.	mm
201612-4XF	22.75 x 16.87 x 13.77	578 x 429 x 350	19.70 x 16.04 x 13.24	500 x 407 x 336	21.50	546	10.12	257	12.26	312	15.25	387	11.25	286	16.75	425	12.19	310	AWF2016__
24126-4XF	26.95 x 13.72 x 7.98	685 x 348 x 203	24.00 x 12.87 x 7.33	610 x 327 x 186	25.75	654	6.25	159	6.33	161	19.25	489	7.25	184	21.00	533	8.37	213	AWF2412__
241210-4XF	26.95 x 13.72 x 11.99	685 x 348 x 304	24.00 x 12.87 x 11.33	610 x 327 x 288	25.75	654	6.25	159	10.33	262	19.25	489	7.25	184	21.00	533	8.37	213	AWF2412__
24208-4XF	27.00 x 21.24 x 9.90	686 x 539 x 252	24.05 x 20.39 x 9.25	611 x 518 x 235	25.75	654	14.00	356	8.25	209	19.25	489	15.25	387	21.25	540	16.00	406	AWF2420__
242410-4XF	27.00 x 25.24 x 11.90	686 x 641 x 302	24.05 x 24.39 x 11.25	611 x 619 x 286	25.75	654	17.87	454	10.25	260	19.25	489	19.25	489	21.25	540	20.00	508	AWF2424__
242412-4XF	27.00 x 25.24 x 13.90	686 x 641 x 353	24.05 x 24.39 x 13.25	611 x 619 x 336	25.75	654	17.87	454	12.25	311	19.25	489	19.25	489	21.25	540	20.00	508	AWF2424__
30206-4XF	32.86 x 20.99 x 7.89	835 x 533 x 200	29.90 x 20.14 x 7.23	760 x 511 x 184	31.75	806	14.25	362	6.23	158	25.25	641	15.25	387	27.00	686	16.50	419	AWF3020__
30208-4XF	32.86 x 20.99 x 9.89	835 x 533 x 251	29.90 x 20.14 x 9.23	760 x 511 x 234	31.75	806	14.25	362	8.23	209	25.25	641	15.25	387	27.00	686	16.50	419	AWF3020__
302010-4XF	32.86 x 20.99 x 11.89	835 x 533 x 302	29.90 x 20.14 x 11.23	760 x 511 x 285	31.75	806	14.25	362	10.23	260	25.25	641	15.25	387	27.00	686	16.50	419	AWF3020__
302012-4XF	32.86 x 20.99 x 13.89	835 x 533 x 353	29.90 x 20.14 x 13.23	760 x 511 x 336	31.75	806	14.25	362	12.23	311	25.25	641	15.25	387	27.00	686	16.50	419	AWF3020__
30248-4XF	33.41 x 26.32 x 8.81	849 x 668 x 224	30.46 x 25.47 x 8.12	774 x 647 x 206	32.25	819	18.50	470	7.12	181	25.25	641	19.25	489	27.38	695	21.25	540	AWF3024__
302410-4XF	33.41 x 26.32 x 11.95	849 x 668 x 304	30.46 x 25.47 x 11.27	774 x 647 x 286	32.25	819	18.50	470	10.27	261	25.25	641	19.25	489	27.38	695	21.25	540	AWF3024__
302412-4XF	33.41 x 26.32 x 13.79	849 x 668 x 350	30.46 x 25.47 x 13.10	774 x 647 x 333	32.25	819	18.50	470	12.10	307	25.25	641	19.25	489	27.38	695	21.25	540	AWF3024__
36308-4XF	39.31 x 32.50 x 10.05	999 x 826 x 255	36.31 x 31.69 x 9.36	922 x 805 x 238	38.13	968	23.88	606	8.36	212	31.25	794	25.25	641	33.25	845	27.25	692	AWF3630__
363010-4XF	39.31 x 32.50 x 12.05	999 x 826 x 306	36.31 x 31.69 x 11.36	922 x 805 x 289	38.13	968	23.88	606	10.36	263	31.25	794	25.25	641	33.25	845	27.25	692	AWF3630__
363012-4XF	39.31 x 32.50 x 14.05	999 x 826 x 357	36.31 x 31.69 x 13.36	922 x 805 x 339	38.13	968	23.88	606	12.36	314	31.25	794	25.25	641	33.25	845	27.25	692	AWF3630__
483612-4XF	51.29 x 36.62 x 13.79	1303 x 930 x 350	48.33 x 36.22 x 13.25	1228 x 920 x 336	50.12	1273	28.50	724	12.25	311	21.63	549	31.25	794	45.25	1149	32.00	813	AWF4836__
483616-4XF	51.29 x 36.62 x 17.79	1303 x 930 x 452	48.33 x 36.22 x 17.25	1228 x 920 x 438	50.12	1273	28.50	724	16.25	413	21.63	549	31.25	794	45.25	1149	32.00	813	AWF4836__
603612-4XF	64.00 x 36.50 x 14.12	1627 x 927 x 359	60.62 x 36.13 x 13.44	1540 x 918 x 341	62.75	1594	28.75	730	12.44	316	27.63	702	31.25	794	57.25	1454	32.00	813	AWF6036__
603616-4XF	64.00 x 36.50 x 18.12	1627 x 927 x 460	60.62 x 36.13 x 17.44	1540 x 918 x 442	62.75	1594	28.75	730	16.44	418	27.63	702	31.25	794	57.25	1454	32.00	813	AWF6036__



### Panel Finishes

Example: AWF108\_\_

Insert for \_\_

P = Carbon Steel  
SP = Stainless Steel  
AP = Aluminum

**Notes:** Dimensions are in inches. Millimeters shown are for reference only. Data subject to change without notice.

# Type 4X Fiberglass Enclosures

## Wall-Mount Enclosures Type 4X Double-Door Data Sheet



### Application

- Houses electrical, electronic, instrument, and mechanical controls
- Intended for indoor or outdoor use
- Ideally suited for harsh environments
- Protects against corrosion, windblown dust and rain, splashing water, and hose directed water

### Standards

- UL/cUL 50 Listed, Type 1, Type 3, Type 3R, Type 4X, Type 12
- Conforms to NEMA Standard for Type 1, Type 3, Type 3R, Type 4X, Type 12
- CSA 22.2, Type 1, Type 3, Type 3R, Type 4X, Type 12
- Temperature Range: -40°F to 250°F (-40°C to 120°C)
- Flammability Rating: UL94-5V
- Self Extinguishing: Non-flame propagating
- Chemical Resistance: (see chart, pages 464 - 467)

### Finish

- Gray color

### Accessories

- Back Panels (pages 290 - 291)
- See accessories (pages 292 - 293)

### Construction

- Enclosures are an impact resistant, non-conductive, light-weight hot compression molded fiberglass reinforced polyester
- Poured polyurethane seamless gasket provides watertight, dust-tight environmental seal
- Twist lock latches provide ease of entry into enclosure
- 300 series stainless steel used on all external hardware
- Integral mounting feet molded in place for ease of mounting
- Integral mounting bosses utilize threaded brass inserts accepting #10-32 screws for mounting optional panel
- Rounded edges reduce build-up of dust and debris
- Full length stainless steel hinged cover
- Built in padlock hasp provide optional secure closure locking (padlock not included)

### Discount Schedule: F2

### Subclass: G00

**Notes:** We can provide special modifications. Consult the factory for your special requirements.

# Type 4X Fiberglass Enclosures

## Wall-Mount Enclosures Type 4X Double-Door Illustration Sheet and Data Sheet

Enclosure Catalog #	Overall Dimensions		Inside Dimensions		Dimensions								Panel Number										
	H x W x D		A x B x C		E		F		J		K			L		M		N					
	in.	mm	in.	mm	in.	mm	in.	mm	in.	mm	in.	mm		in.	mm	in.	mm	in.	mm				
364812-4XFD	39.50	48.50 x 13.62	1003	1232 x 346	36.12	48.12 x 13.00	917	1222 x 330	38.25	972	40.50	1029	11.94	303	14.50	368	20.00	508	32.00	813	20.75	527	*

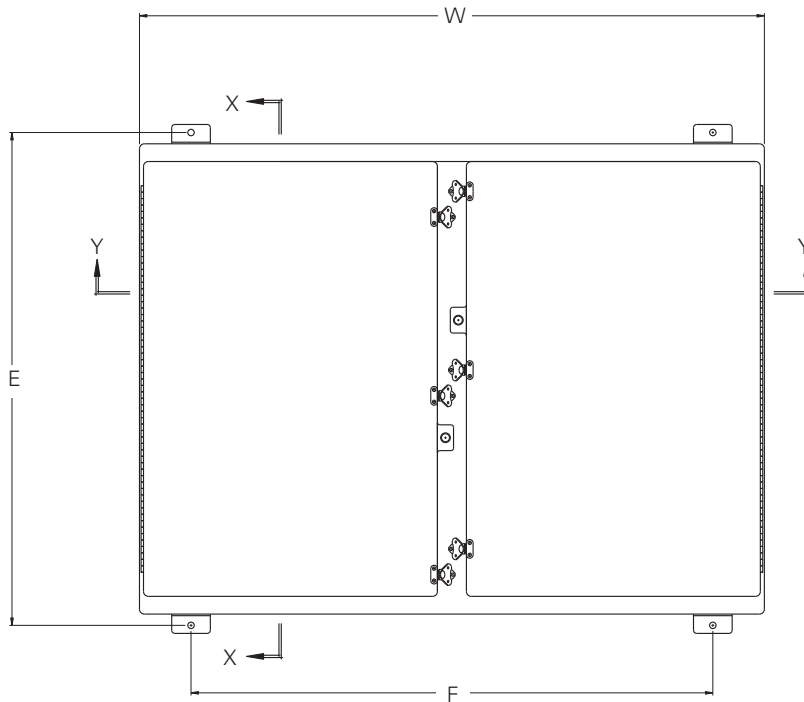
\* When ordering steel, stainless steel, or aluminum panels (AWF3622\_\_), the part number includes only one (1) panel - two (2) may be required

### Panel Finishes

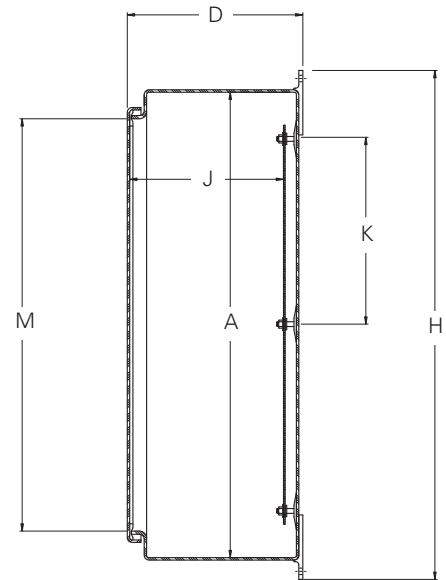
Example: AW108\_\_

Insert for \_\_

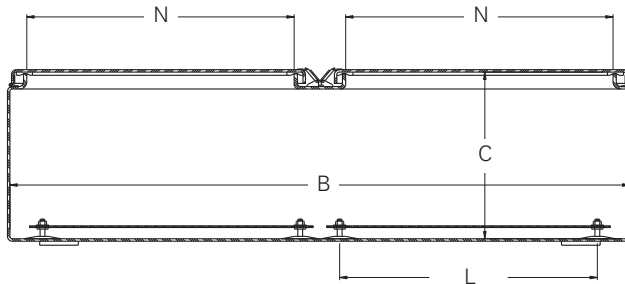
P = Carbon Steel  
SP = Stainless Steel  
AP = Aluminum



Front View



Section X-X



Section Y-Y

**Notes:** Dimensions are in inches. Millimeters shown are for reference only. Data subject to change without notice.

# Type 4X Fiberglass Enclosures

## Ground-Mount Enclosures Type 4X Free-Standing Single-Door Data Sheet



### Application

- Houses electrical, electronic, instrument, and mechanical controls
- Intended for indoor or outdoor use
- Ideally suited for harsh environments
- Protects against corrosion, windblown dust and rain, splashing water, and hose directed water

### Standards

- UL/cUL 50 Listed, Type 1, Type 3, Type 3R, Type 4X, Type 12
- Conforms to NEMA Standard for Type 1, Type 3, Type 3R, Type 4X, Type 12
- CSA 22.2, Type 1, Type 3, Type 3R, Type 4X, Type 12
- Temperature Range: -40°F to 250°F (040°C to 120°C)
- Flammability Rating: UL94-5V
- Self Extinguishing: Non-flame propagating
- Chemical Resistance: (see chart, pages 464 - 467)

### Finish

- Gray color

### Accessories

- Back Panels (pages 290 - 291)
- See accessories (pages 292 - 293)

### Construction

- Enclosures are an impact resistant, non-conductive, light-weight hot compression molded fiberglass reinforced polyester
- Poured polyurethane seamless gasket provides watertight, dust-tight environmental seal
- Twist lock latches provide ease of entry into enclosure
- 300 series stainless steel used on all external hardware
- Integral mounting bosses utilize threaded brass inserts for mounting optional panel
- Rounded edges reduce build-up of dust and debris
- Full length stainless steel hinged cover
- Built in padlock hasp provide optional secure closure locking (padlock not included)

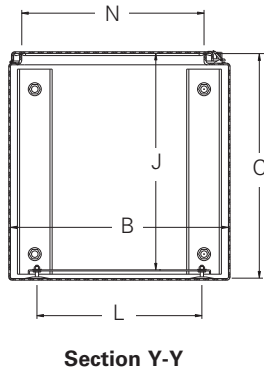
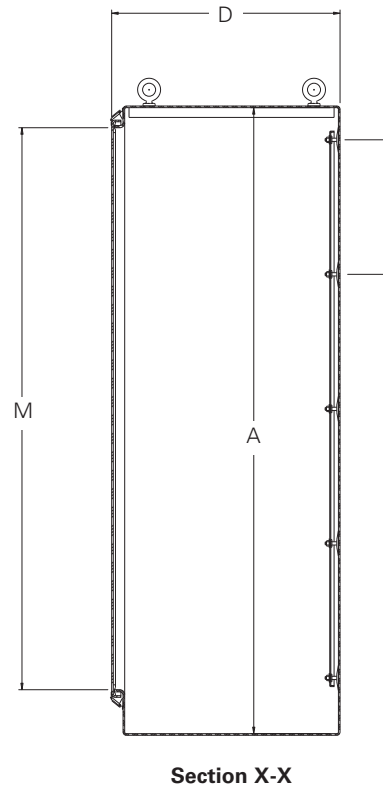
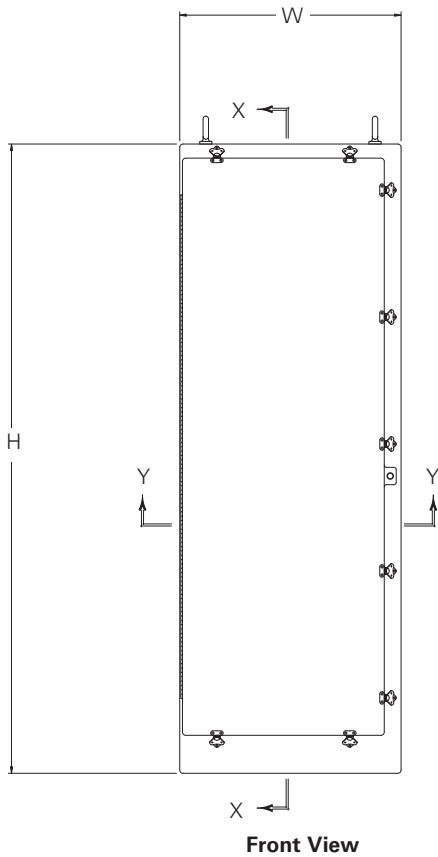
### Discount Schedule: F2

### Subclass: G00

**Notes:** We can provide special modifications. Consult the factory for your special requirements.

## Ground-Mount Enclosures Type 4X Free-Standing Single-Door Illustration Sheet and Catalog Number

Enclosure Catalog #	Overall Dimensions		Inside Dimensions		Dimensions						Panel Number				
	H x W x D		A x B x C		J		K		L			Enclosure Opening			
	in.	mm	in.	mm	in.	mm	in.	mm	in.	mm		in.	mm		
723618-4XFFS	72.5 x 36.5 x 19.38	1841 x 927 x 492	72.0 x 36.0 x 18.88	1829 x 914 x 479	17.88	454	15.50	388	30.00	762	64.75	1645	32.00	813	AWF7236__
723624-4XFFS	72.5 x 36.5 x 25.38	1841 x 927 x 644	72.0 x 36.0 x 24.88	1829 x 914 x 631	23.88	606	15.50	388	30.00	762	64.75	1645	32.00	813	AWF7236__
903636-4XFFS	90.5 x 36.5 x 37.88	2299 x 927 x 949	90.0 x 36.0 x 37.38	2286 x 914 x 949	36.25	921	20.00	508	30.00	762	82.75	2102	32.00	813	AWF9036__



### Panel Finishes

Example: AW108\_\_

Insert for \_\_

P = Carbon Steel  
SP = Stainless Steel  
AP = Aluminum

**Notes:** Dimensions are in inches. Millimeters shown are for reference only. Data subject to change without notice.

# Type 4X Fiberglass Enclosures

## Ground-Mount Enclosures Type 4X Free-Standing Double-Door Data Sheet



### Application

- Houses electrical, electronic, instrument, and mechanical controls
- Intended for indoor or outdoor use
- Ideally suited for harsh environments
- Protects against corrosion, windblown dust and rain, splashing water, and hose directed water

### Standards

- UL/cUL 50 Listed, Type 1, Type 3, Type 3R, Type 4X, Type 12
- Conforms to NEMA Standard for Type 1, Type 3, Type 3R, Type 4X, Type 12
- CSA 22.2, Type 1, Type 3, Type 3R, Type 4X, Type 12
- Temperature Range: -40°F to 250°F (040°C to 120°C)
- Flammability Rating: UL94-5V
- Self Extinguishing: Non-flame propagating
- Chemical Resistance: (see chart, pages 464 - 467)

### Finish

- Gray color

### Accessories

- Back Panels (pages 290 - 291)
- See accessories (pages 292 - 293)

### Construction

- Enclosures are an impact resistant, non-conductive, light-weight hot compression molded fiberglass reinforced polyester
- Poured polyurethane seamless gasket provides watertight, dust-tight environmental seal
- Twist lock latches provide ease of entry into enclosure
- 300 series stainless steel used on all external hardware
- Integral mounting bosses utilize threaded brass inserts for mounting optional panel
- Rounded edges reduce build-up of dust and debris
- Full length stainless steel hinged cover
- Built in padlock hasp provide optional secure closure locking (padlock not included)

### Discount Schedule: F2

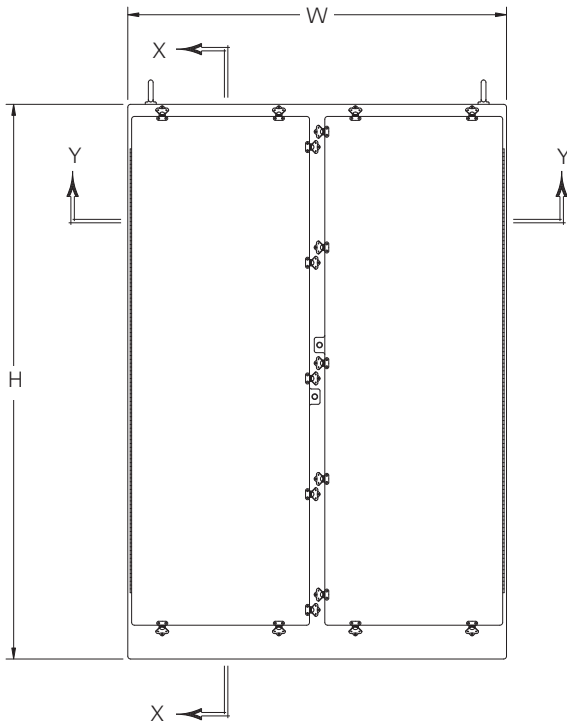
### Subclass: G00

**Notes:** We can provide special modifications. Consult the factory for your special requirements.

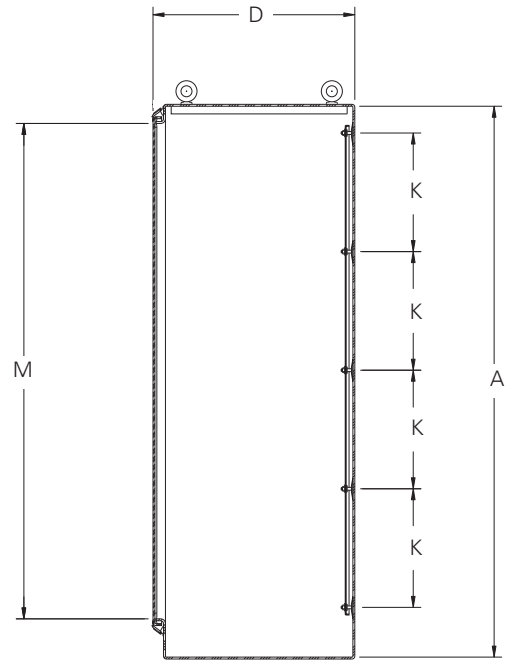
## Ground-Mount Enclosures Type 4X Free-Standing Double-Door Illustration Sheet and Catalog Number

Enclosure Catalog #	Overall Dimensions		Inside Dimensions		Dimensions						Panel Number				
	H x W x D		A x B x C		J		K		L			Enclosure Opening			
	in.	mm	in.	mm	in.	mm	in.	mm	in.	mm		in.	mm		
724818-4XFFSD	72.5 x 58.5 x 19.38	1841 x 1232 x 492	72.0 x 48.0 x 18.88	1829 x 1219 x 476	17.88	454	15.50	388	19.50	495	64.75	1645	20.50	521	*AWF7221
727218-4XFFSD	72.5 x 72.5 x 19.38	1841 x 1842 x 492	72.0 x 72.0 x 18.88	1829 x 1829 x 479	17.88	454	15.50	388	31.50	800	64.75	1645	32.50	826	*AWF7233

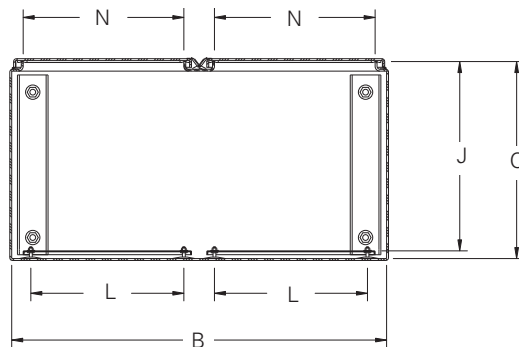
\* When ordering panels, the part number includes only one (1) panel - two (2) are required



Front View



Section X-X



Section Y-Y

### Panel Finishes

Example: AW108\_\_

Insert for \_\_

P = Carbon Steel  
SP = Stainless Steel  
AP = Aluminum

Notes: Dimensions are in inches. Millimeters shown are for reference only. Data subject to change without notice.



# Type 4X Fiberglass Enclosures

## Pushbutton Enclosures Type 4X In-Line 30 mm Data Sheet



### Application

- Designed to mount standard oil-tight pushbuttons, pilot lights, and switches
- Intended for indoor or outdoor use
- Ideally suited for harsh environments
- Protects against corrosion, windblown dust and rain, splashing water, hose directed water, and prolonged submersion

### Standards

- UL/cUL 50 Listed, Type 1, Type 3, Type 4X, Type 6P, Type 12
- Conforms to NEMA Standard for Type 1, Type 3, Type 4X, Type 6P, Type 12
- CSA 22.2, Type 1, Type 3, Type 4X, Type 6P, Type 12
- Temperature Range: -40°F to 250°F (-40°C to 120°C)
- Flammability Rating: UL94-5V
- Self Extinguishing: Non-flame propagating
- Chemical Resistance: (see chart, pages 464 - 467)

### Finish

- Gray color

### Accessories

- See accessories (pages 292 - 293)

### Construction

- Enclosures are an impact resistant, non-conductive, light-weight hot compression molded fiberglass reinforced polyester
- Poured polyurethane seamless gasket provides watertight, dust-tight environmental seal
- Recessed captive screws provide smooth surfaces
- Secure mounting of pushbutton in non-rotatable notched key hole
- 300 series stainless steel used on all external hardware
- Rounded edges reduce build-up of dust and debris
- Full metal grounding strap is provided

### Discount Schedule: F2

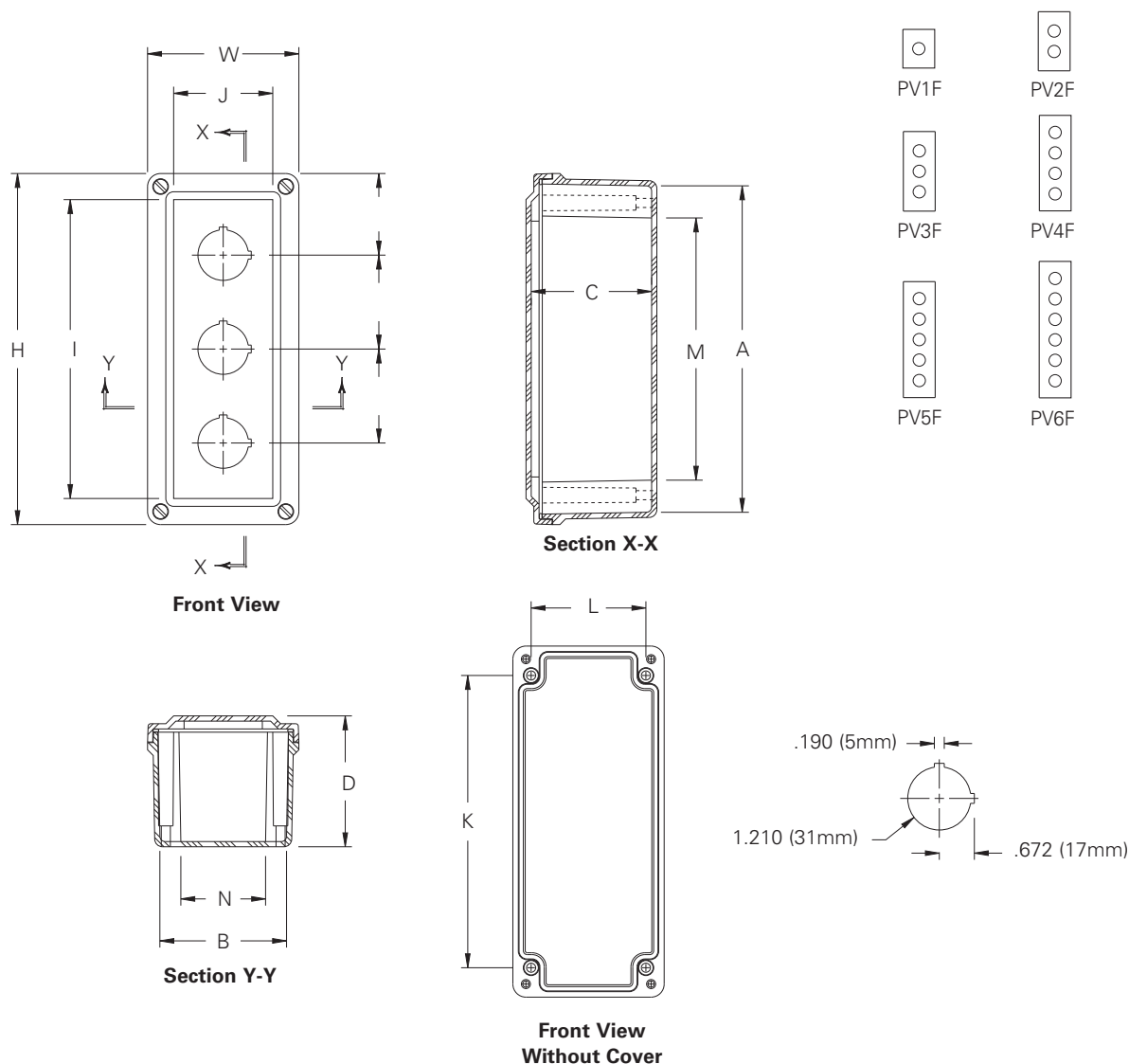
### Subclass: G00

**Notes:** We can provide special modifications. Consult the factory for your special requirements.

# Type 4X Fiberglass Enclosures

## Pushbutton Enclosures Type 4X In-Line 30 mm Illustration Sheet and Catalog Number

Enclosure Catalog #	Overall Dimensions		Inside Dimensions		Dimensions													
	H x W x D		A x B x C		I		J		K		L		M		N		O	
	in.	mm	in.	mm	in.	mm	in.	mm	in.	mm	in.	mm	in.	mm	in.	mm	in.	mm
PV1F	6.63 x 3.81 x 3.89	168 x 97 x 99	6.00 x 3.19 x 3.63	153 x 81 x 92	5.31	135	2.50	64	4.88	124	2.94	75	4.13	105	2.19	56	3.31	84
PV2F	6.63 x 3.81 x 3.89	168 x 97 x 99	6.00 x 3.19 x 3.63	153 x 81 x 92	5.31	135	2.50	64	4.88	124	2.94	75	4.13	105	2.19	56	2.19	56
PV3F	8.88 x 3.81 x 3.89	225 x 97 x 99	8.26 x 3.19 x 3.63	210 x 81 x 92	7.56	192	2.50	64	7.13	181	2.94	75	6.38	162	2.19	56	2.19	56
PV4F	11.13 x 3.81 x 3.89	283 x 97 x 99	10.51 x 3.19 x 3.63	267 x 81 x 92	9.81	249	2.50	64	9.37	238	2.94	75	8.63	219	2.19	56	2.19	56
PV5F	13.78 x 3.63 x 3.14	350 x 92 x 80	13.19 x 3.03 x 2.87	335 x 77 x 73	12.53	318	2.38	60	12.37	314	2.75	70	11.66	296	2.03	52	2.39	61
PV6F	17.35 x 3.63 x 3.14	441 x 92 x 80	16.75 x 3.03 x 2.87	426 x 77 x 73	16.10	409	2.38	60	15.94	405	2.75	70	15.22	387	2.03	52	3.05	77



**Notes:** Dimensions are in inches. Millimeters shown are for reference only. Data subject to change without notice.

# Type 4X Fiberglass Enclosures

## Pushbutton Enclosures Type 4X In-Line 22 mm Data Sheet



### Application

- Designed to mount standard oil-tight pushbuttons, pilot lights, and switches
- Intended for indoor or outdoor use
- Ideally suited for harsh environments
- Protects against corrosion, windblown dust and rain, splashing water, hose directed water, and prolonged submersion

### Standards

- UL/cUL 50 Listed, Type 1, Type 3, Type 4X, Type 6P, Type 12
- Conforms to NEMA Standard for Type 1, Type 3, Type 4X, Type 6P, Type 12
- CSA 22.2, Type 1, Type 3, Type 4X, Type 6P, Type 12
- Temperature Range: -40°F to 250°F (-40°C to 120°C)
- Flammability Rating: UL94-5V
- Self Extinguishing: Non-flame propagating
- Chemical Resistance: (see chart, pages 464 - 467)

### Finish

- Gray color

### Accessories

- See accessories (page 292 - 293)

### Construction

- Enclosures are an impact resistant, non-conductive, light-weight hot compression molded fiberglass reinforced polyester
- Poured polyurethane seamless gasket provides watertight, dust-tight environmental seal
- Recessed captive screws provide smooth surfaces
- Secure mounting of pushbutton in non-rotatable notched key hole
- 300 series stainless steel used on all external hardware
- Rounded edges reduce build-up of dust and debris
- Full metal grounding strap is provided

### Discount Schedule: F2

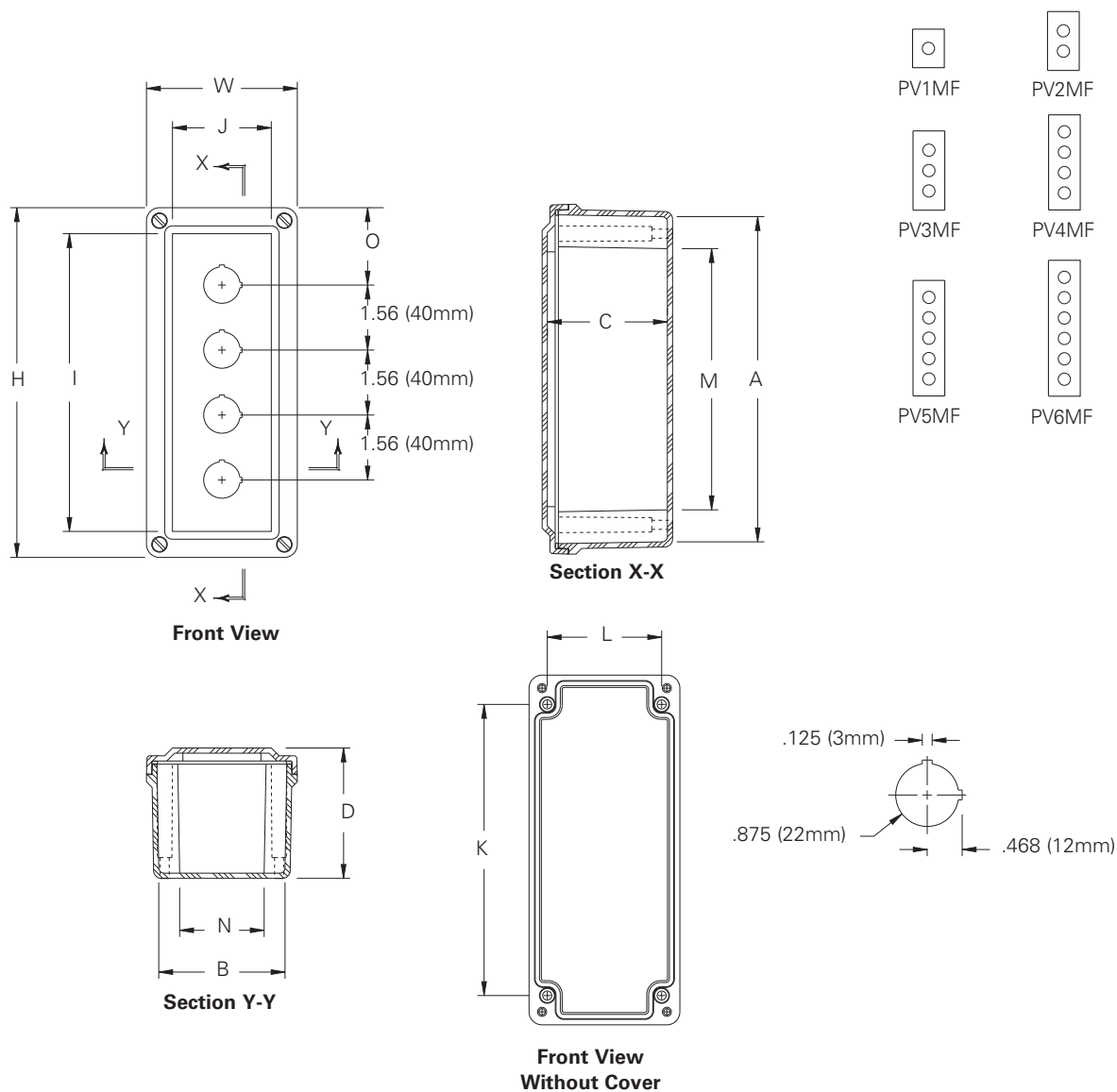
### Subclass: G00

**Notes:** We can provide special modifications. Consult the factory for your special requirements.

# Type 4X Fiberglass Enclosures

## Pushbutton Enclosures Type 4X In-Line 22 mm Illustration Sheet and Catalog Number

Enclosure Catalog #	Overall Dimensions		Inside Dimensions		Dimensions													
	H x W x D		A x B x C		I		J		K		L		M		N		O	
	in.	mm	in.	mm	in.	mm	in.	mm	in.	mm	in.	mm	in.	mm	in.	mm	in.	mm
PV1MF	6.63 x 3.81 x 3.89	168 x 97 x 99	6.00 x 3.19 x 3.63	153 x 81 x 92	5.31	135	2.50	64	4.88	124	2.94	75	4.13	105	2.19	56	3.31	84
PV2MF	6.63 x 3.81 x 3.89	168 x 97 x 99	6.00 x 3.19 x 3.63	153 x 81 x 92	5.31	135	2.50	64	4.88	124	2.94	75	4.13	105	2.19	56	2.19	56
PV3MF	6.63 x 3.81 x 3.89	225 x 97 x 99	6.00 x 3.19 x 3.63	153 x 81 x 92	5.31	135	2.50	64	4.88	124	2.94	75	4.13	105	2.19	56	1.75	44
PV4MF	8.88 x 3.81 x 3.89	225 x 97 x 99	8.26 x 3.19 x 3.63	210 x 81 x 92	7.56	192	2.50	64	7.13	181	2.94	75	6.38	162	2.19	56	2.09	53
PV5MF	11.13 x 3.81 x 3.89	283 x 97 x 99	10.51 x 3.19 x 3.63	267 x 81 x 92	9.81	249	2.50	64	9.37	238	2.94	75	8.63	219	2.19	56	2.44	62
PV6MF	11.13 x 3.81 x 3.89	283 x 97 x 99	10.51 x 3.19 x 3.63	267 x 81 x 92	9.81	249	2.50	64	9.37	238	2.94	75	8.63	219	2.19	56	1.66	42



**Notes:** Dimensions are in inches. Millimeters shown are for reference only. Data subject to change without notice.

# Type 4X Fiberglass Enclosures

## Pushbutton Enclosures Type 4X Multi-Hole 30 mm Data Sheet



### Application

- Designed to mount standard oil-tight pushbuttons, pilot lights, and switches
- Intended for indoor or outdoor use
- Ideally suited for harsh environments
- Protects against corrosion, windblown dust and rain, splashing water, hose directed water, and prolonged submersion

### Standards

- UL/cUL 50 Listed, Type 1, Type 3, Type 4X, Type 6P, Type 12
- Conforms to NEMA Standard for Type 1, Type 3, Type 4X, Type 6P, Type 12
- CSA 22.2, Type 1, Type 3, Type 4X, Type 6P, Type 12
- Temperature Range: -40°F to 250°F (-40°C to 120°C)
- Flammability Rating: UL94-5V
- Self Extinguishing: Non-flame propagating
- Chemical Resistance: (see chart, pages 464 - 467)

### Finish

- Gray color

### Accessories

- Back Panels (page 290)
- See accessories (pages 292 - 293)

### Construction

- Enclosures are an impact resistant, non-conductive, light-weight hot compression molded fiberglass reinforced polyester
- Poured polyurethane seamless gasket provides watertight, dust-tight environmental seal
- Captive screws provide smooth surfaces
- Secure mounting of pushbutton in non-rotatable notched key hole
- 300 series stainless steel used on all external hardware
- Integral flange molded in place for ease of mounting
- Integral mounting bosses utilize threaded brass inserts accepting #10-32 screws for mounting optional panel
- Rounded edges reduce build-up of dust and debris
- Full metal grounding strap is provided
- Stainless steel beaded chain for securing cover after lift off

### Discount Schedule: F2

### Subclass: G00

**Notes:** We can provide special modifications. Consult the factory for your special requirements.

## Pushbutton Enclosures Type 4X Multi-Hole 30 mm Illustration Sheet and Catalog Number

Enclosure Catalog #	Overall Dimensions H x W x D		Inside Dimensions A x B x C		E		F		Hole Dia.		Panel No.
	in.	mm	in.	mm	in.	mm	in.	mm	in.	mm	
PB4F	7.50	191	5.72	145	6.75	171	4.00	101	0.31	8	AW66__
PB6F	9.62	244	7.73	196	8.88	225	4.00	101	0.31	8	AW86__
PB9F	11.62	295	9.73	247	10.75	273	6.00	152	0.31	8	AW108__

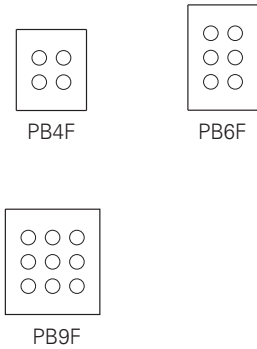
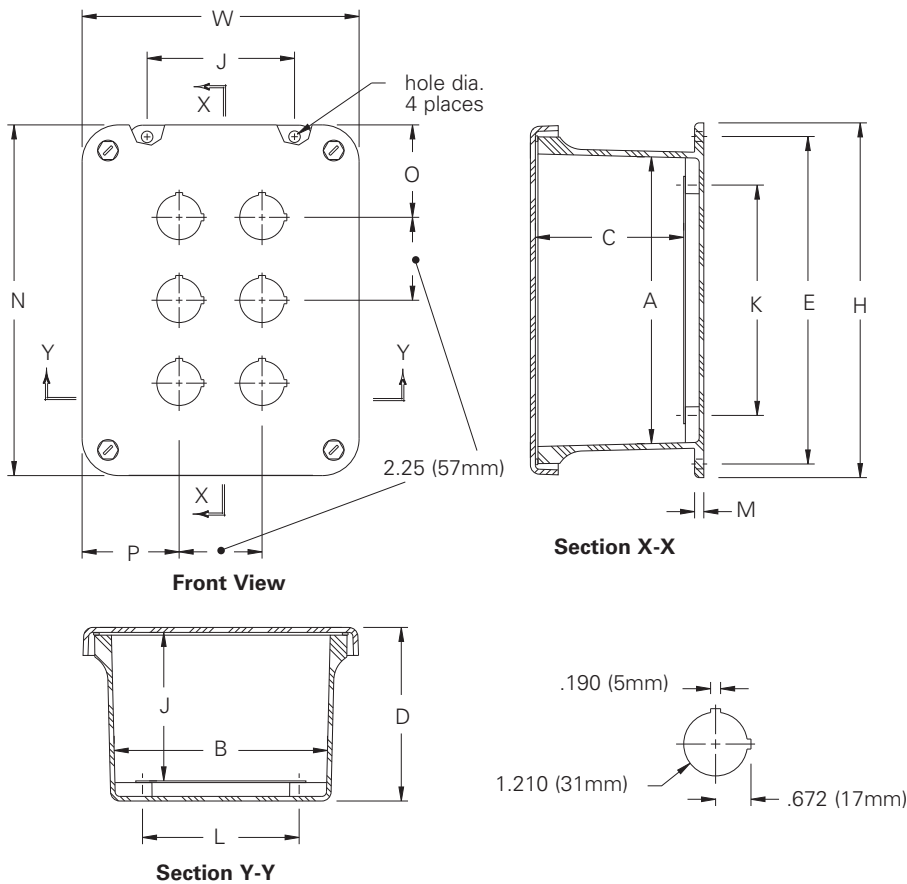
Enclosure Catalog #	Dimensions													
	J		K		L		M		N		O		P	
	in.	mm	in.	mm	in.	mm	in.	mm	in.	mm	in.	mm	in.	mm
PB4F	4.00	101	4.25	108	4.25	108	0.25	6	7.52	191	2.64	67	2.64	67
PB6F	4.00	101	6.25	159	4.25	108	0.25	6	9.50	242	2.64	67	2.51	64
PB9F	3.50	89	8.25	209	6.25	159	0.25	6	11.35	288	3.43	87	2.45	62

### Panel Finishes

Example: AW108\_\_

Insert for \_\_

P = Carbon Steel  
SP = Stainless Steel  
AP = Aluminum



**Notes:** Dimensions are in inches. Millimeters shown are for reference only. Data subject to change without notice.

# Type 4X Fiberglass Enclosures

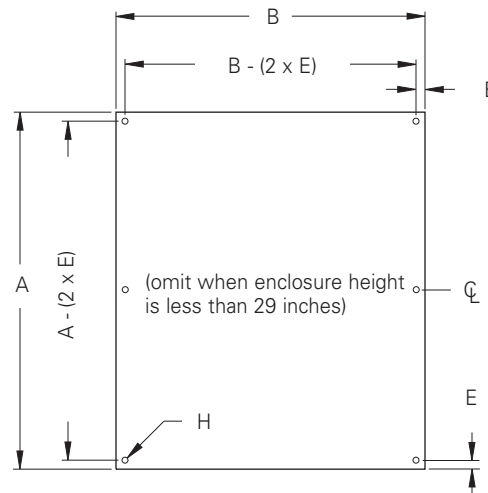
## Fiberglass Accessories

Illustration Sheet and Catalog Number

Discount Schedule: F2

Subclass: DSA, DSB

### Back Panels



Flat Panel for Fiberglass Enclosures			A		B		E		Hole Dia.		Gauge	Fits Enclosure (Nominal) Height x Width	
Painted Steel	Stainless	Aluminum	in.	mm	in.	mm	in.	mm	in.	mm		in.	mm
AW64P	AW64SP	AW64AP	4.87	124	2.87	73	0.31	8	0.25	6	14	6.00 x 4.00	152 x 102
AW66P	AW66SP	AW66AP	4.87	124	4.87	124	0.31	8	0.25	6	14	6.00 x 6.00	152 x 152
AW76P	AW76SP	AW76AP	6.00	152	4.87	124	0.31	8	0.25	6	14	7.00 x 6.00	178 x 152
AW86P	AW86SP	AW86AP	6.87	174	4.87	124	0.31	8	0.25	6	14	8.00 x 6.00	203 x 152
AW88P	AW88SP	AW88AP	6.87	174	6.87	174	0.31	8	0.25	6	14	8.00 x 8.00	203 x 203
AW96P	AW96SP	AW96AP	8.25	209	4.87	124	0.31	8	0.25	6	14	9.00 x 6.00	228 x 152
AW108P	AW108SP	AW108AP	8.87	225	6.87	174	0.31	8	0.25	6	14	10.00 x 8.00	254 x 203
AW1210P	AW1210SP	AW1210AP	10.87	276	8.87	225	0.31	8	0.25	6	14	12.00 x 10.00	305 x 254
AW1212P	AW1212SP	AW1212AP	10.87	276	10.87	276	0.31	8	0.25	6	14	12.00 x 12.00	305 x 305
AW147P	AW147SP	AW147AP	12.87	327	5.87	149	0.31	8	0.25	6	14	14.00 x 7.00	356 x 178
AW1412P	AW1412SP	AW1412AP	12.87	327	10.87	276	0.31	8	0.25	6	14	14.00 x 12.00	356 x 305
AW1614P	AW1614SP	AW1614AP	14.87	378	12.87	327	0.31	8	0.25	6	14	16.00 x 14.00	406 x 356
AW1816P	AW1816SP	AW1816AP	16.88	429	14.88	378	0.31	8	0.25	6	14	18.00 x 16.00	457 x 406
AW2016PJ	AW2016SPJ	AW2016APJ	18.88	479	14.88	378	0.31	8	0.25	6	14	20.00 x 16.00	508 x 406
AW2016P	AW2016SP	AW2016AP	17.00	432	13.00	330	0.88	22	0.56	14	12	20.00 x 16.00	508 x 406
AW2412P	AW2412SP	AW2412AP	21.00	533	9.00	229	0.88	22	0.56	14	12	24.00 x 12.00	610 x 305
AWF2420P	AWF2420SP	AWF2420AP	21.00	533	17.00	432	0.88	22	0.56	14	12	24.00 x 20.00	610 x 508
AWF2424P	AWF2424SP	AWF2424AP	21.00	533	21.00	533	0.88	22	0.56	14	12	24.00 x 24.00	610 x 610
AWF3020P	AWF3020SP	AWF3020AP	27.00	686	17.00	432	0.88	22	0.56	14	12	30.00 x 20.00	762 x 508
AWF3024P	AWF3024SP	AWF3024AP	27.00	686	21.00	533	0.88	22	0.56	14	12	30.00 x 24.00	762 x 610
AWF3622P	AWF3622SP	AWF3622AP	31.00	787	22.00	559	1.00	25	0.56	14	12	36.00 x 48.00	914 x 1219
AWF3630P	AWF3630SP	AWF3630AP	33.00	838	27.00	686	0.88	22	0.56	14	12	36.00 x 30.00	914 x 762

Notes: Dimensions are in inches. Millimeters shown are for reference only. Data subject to change without notice.



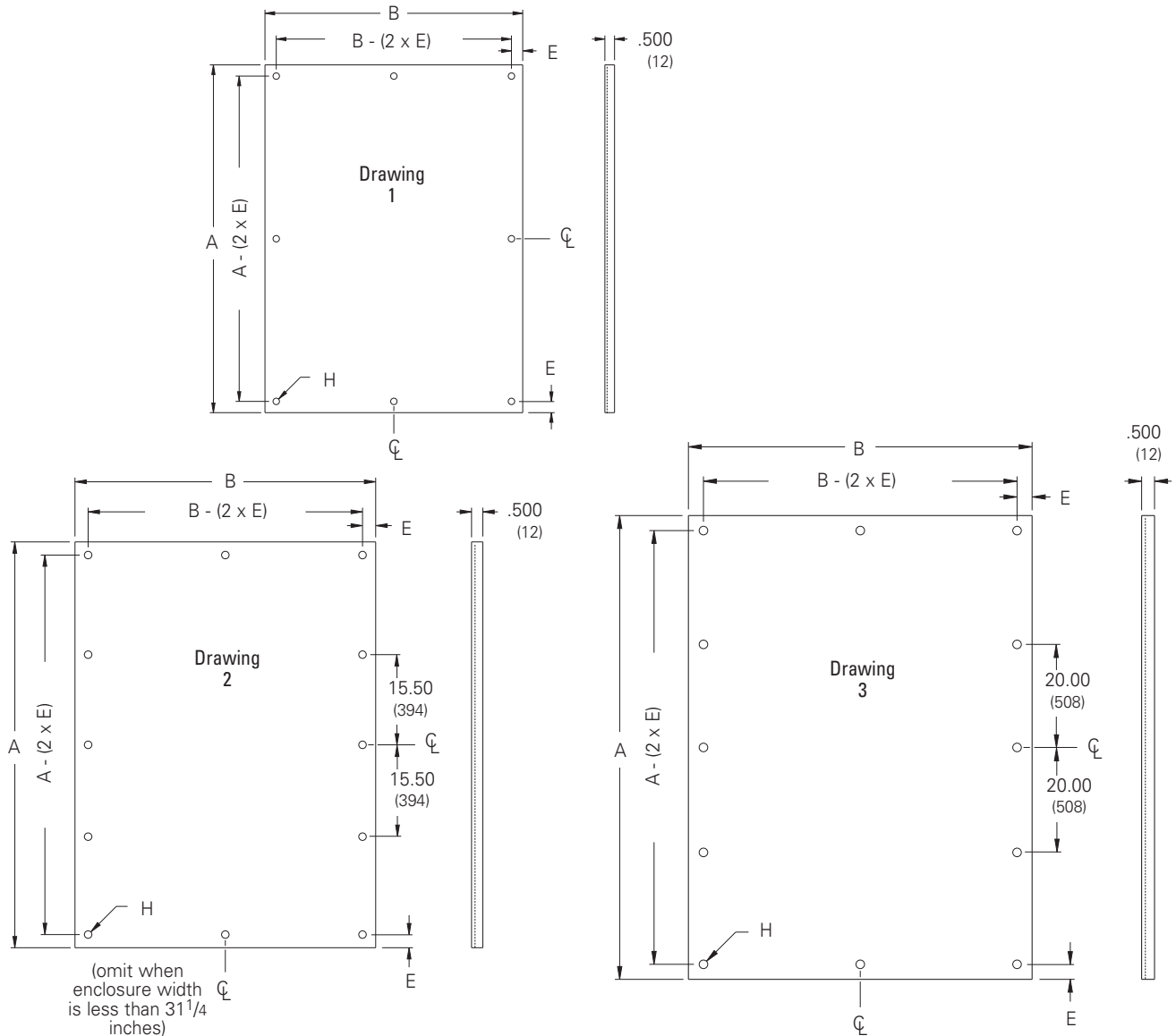
# Type 4X Fiberglass Enclosures

## Fiberglass Accessories Illustration Sheet and Catalog Number

Discount Schedule: F2  
Subclass: DSB

### Back Panels

Flanged Panel for Fiberglass Enclosures			A		B		E		Hole Dia. H		Gauge	Fits Enclosure (Nominal) Height x Width		See Drawing
Painted Steel	Stainless	Aluminum	in.	mm	in.	mm	in.	mm	in.	mm		in.	mm	
AWF4836P	AWF4836SP	AWF4836AP	45.00	1143	33.00	838	0.88	22	0.56	14	12	48.00 x 36.00	1219 x 914	1
AWF6036P	AWF6036SP	AWF6036AP	57.00	1448	33.00	838	0.88	22	0.56	14	12	60.00 x 36.00	1524 x 914	
AWF7221P	AWF7221SP	AWF7221AP	64.00	1625	21.50	546	1.00	25	0.56	14	12	72.00 x 48.00	1829 x 1219	2
AWF7224P	AWF7224SP	AWF7224AP	64.00	1625	20.00	508	1.00	25	0.56	14	12	72.00 x 24.00	1829 x 609	
AWF7233P	AWF7233SP	AWF7233AP	64.00	1625	33.50	851	1.00	25	0.56	14	12	72.00 x 72.00	1829 x 1829	
AWF7236P	AWF7236SP	AWF7236AP	64.00	1625	32.00	813	1.00	25	0.56	14	12	72.00 x 36.00	1829 x 914	
--	--	--	64.00	1625	21.50	546	1.00	25	0.56	14	12	72.00 x 48.00	1829 x 1219	
--	--	--	64.00	1625	33.50	851	1.00	25	0.56	14	12	72.00 x 72.00	1829 x 1329	
AWF9036P	AWF9036SP	AWF9036AP	82.00	2083	32.00	813	1.00	25	0.56	14	12	90.00 x 36.00	2286 x 914	3



**Notes:** Dimensions are in inches. Millimeters shown are for reference only. Data subject to change without notice.



# Type 4X Fiberglass Enclosures

## Fiberglass Accessories Illustration Sheet and Catalog Number

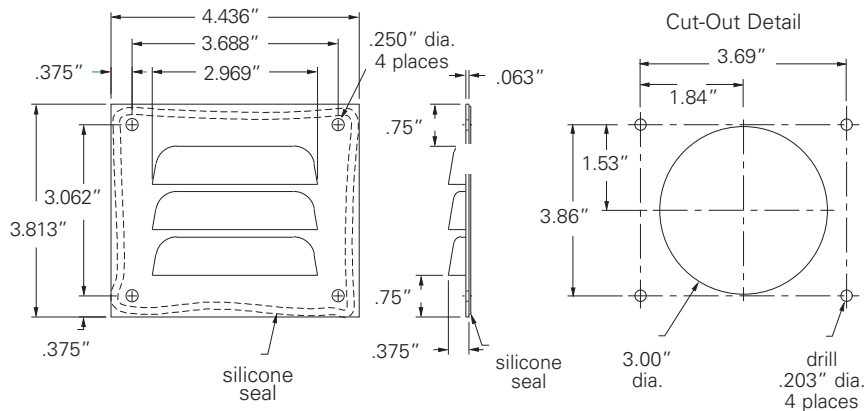
Discount Schedule: F2  
Subclass: G00

Enclosure Catalog #	Application	Max. Hole		Hole Seal	
		in.	mm	in.	mm
SPBGFG	Minature oil-tight bushbutton holes	0.88	22	1.22	31
SPBFG	Standard oil-tight bushbutton holes	1.25	32	1.75	44
S050FG	1/2" conduit holes	0.88	22	1.38	35
S075FG	3/4" conduit holes	1.06	27	1.56	40
S100FG	1" conduit holes	1.38	35	1.88	48
S125FG	1 1/4" conduit holes	1.69	43	2.19	56
S150FG	1 1/2" conduit holes	2.00	51	2.50	64
S200FG	2" conduit holes	2.50	64	3.00	76
S250FG	2 1/2" conduit holes	3.00	76	3.50	89
S300FG	3" conduit holes	3.62	92	4.12	105
S350FG	3 1/2" conduit holes	4.12	105	4.62	117
S400FG	4" conduit holes	4.62	117	5.12	130



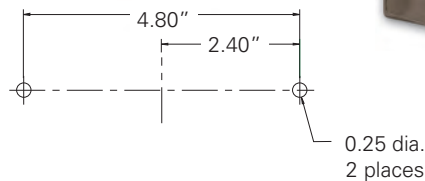
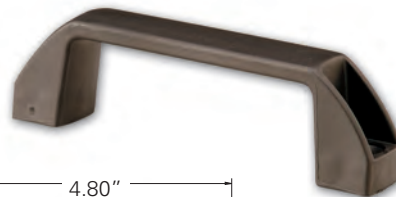
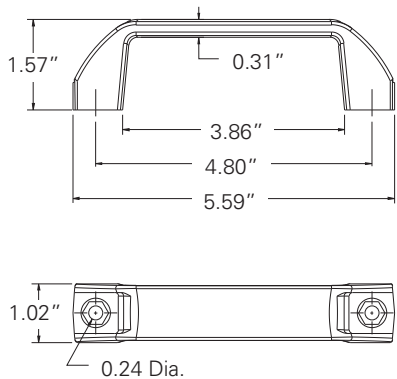
### Oil-Tight Hole Seals

Helps protect knockout openings and extra pushbutton or conduit openings from dirt, oil, dust and water. Each hole seal has oil-resistant gasketing and lock nut.



### Louver Plate Vent

Enclosure Catalog #  
LPKF



### Carrying Handle

Enclosure Catalog #  
CARRY HANDLE



Notes: Dimensions are in inches. Millimeters shown are for reference only. Data subject to change without notice.

# Type 4X Fiberglass Enclosures

## Fiberglass Accessories

Illustration Sheet and Catalog Number

Discount Schedule: F2

Subclass: G00

### Encapsulated Screws

Enclosure Catalog #
ENCAP2K
ENCAP4K



ENCAP2K



ENCAP4K

### Stainless Steel Screws

Enclosure Catalog #	Description
SS2PK	Set of 2
SS4PK	Set of 4



SS2PK



SS4PK

### Mounting Feet

Enclosure Catalog #
MTGFTKITS



**Notes:** Dimensions are in inches. Millimeters shown are for reference only. Data subject to change without notice.