

Never turn on equipment when there is evidence of fire or structural damage.

Green Motion Home and Green Motion Building single/double EV charger floor-mounted column must be installed only by professional and qualified personnel.

Read and understand the safety instructions and warnings prior to installation.

1. Technical specifications

Technical disclaimer

All drawings, descriptions or illustrations contained in this document serve to provide a clear overview and/or technical explanation of the present product and its various components and accessories.

In line with our goal to continuously improve the products and the customer service we provide, all specifications contained in this document are subject to change without notice.

The single EV charger floor-mounted column supports one EV charger. See Figure 1.

Dimensions and weight

The table below shows the dimensions and weight of the single ev charger floor-mounted column.

Green Motion Home and Green Motion Building accessory Single EV charger floor-mounted column	
Dimensions (H x W x D) in mm	1497.6 x 280 x 180.5
Weight in kg	10
Installation method	Floor-mounted

The double EV charger floor-mounted column supports two EV chargers installed back-to-back. See Figure 2.

Dimensions and weight

The table below shows the dimensions and weight of the double EV charger floor-mounted column.

Green Motion Home and Green Motion Building accessory Double EV charger floor-mounted column	
Dimensions (H x W x D) in mm	1500 x 280 x 181
Weight in kg	11
Installation method	Floor-mounted

Figure 1. Green Motion Home and Green Motion Building single EV charger floor-mounted column with dimensions

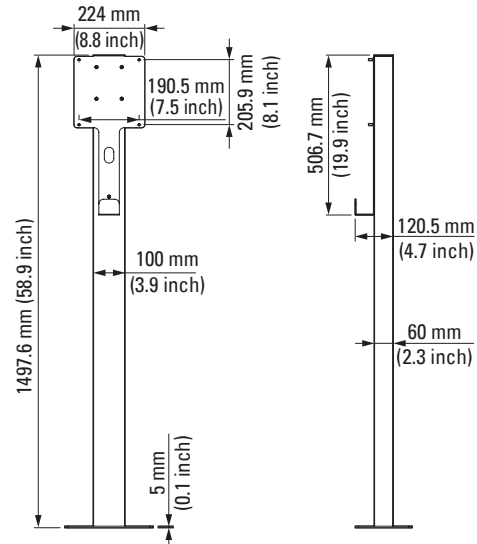
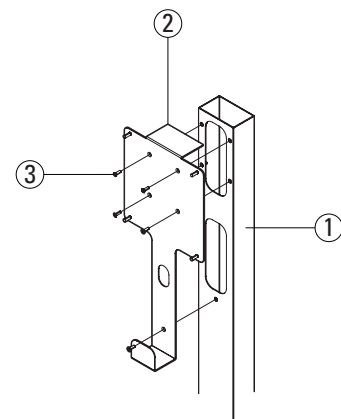
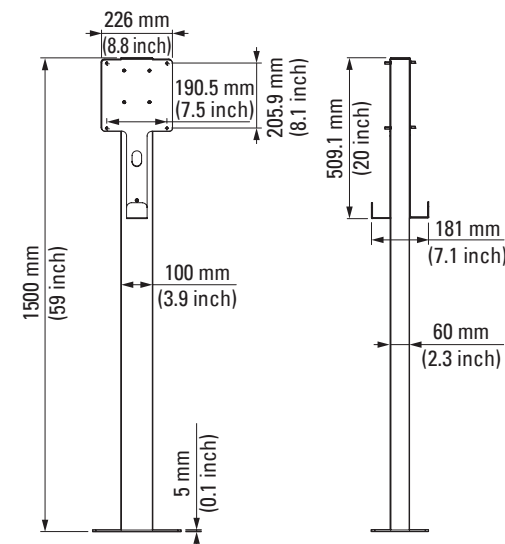
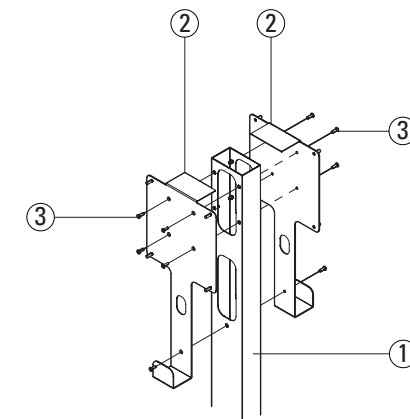


Figure 2. Green Motion Home and Green Motion Building double EV charger floor-mounted column with dimensions



Tag	Description
①	Floor-mounted column
②	Support plate
③	Screws



Tag	Description
①	Floor-mounted column
②	Support plate
③	Screws

2. Installation method

Tools required for the installation

To perform the installation, professional and qualified personnel should have the following tools:

- Screwdriver
- Open-ended wrenches
- Socket wrench with extension
- Drilling machine.

Materials required for the installation

To perform the installation, professional and qualified personnel should have the following items:

Single EV charger floor-mounted column	Double EV charger floor-mounted column	Provided by Eaton
One floor-mounted column with one support plate	One floor-mounted column with two support plates	✓
Four M6 nuts	Eight M6 nuts	✓
Four adhesive gaskets	Eight adhesive gaskets	✓
Four Ø10-mm anchors or bolts	Four Ø10-mm anchors or bolts	✗
Four Ø10-mm flat washers	Four Ø10-mm flat washers	✗

Please note that the appropriate type of anchors or bolts must be selected by professional and qualified personnel, based on the following considerations:

- the installation location,
- the type of floor on which the floor-mounted column is to be mounted,
- the local rules and regulations.

Mounting

- Step 1.** Drill four holes for the anchors in the floor around the throughput for the power and communication cable of the EV charger, according to the dimensions given in Figure 3.
- Step 2.** Pull the power and communication cables through the floor-mounted column as indicated in Figure 4.
- Step 3.** Connect the floor-mounted column to the protective earth. This can be done using one of the holes used for fixing the floor-mounted column to the floor or any other preferred method.
- Step 4.** Bolt the floor-mounted column to the floor using four anchors or bolts and the flat washers.
- Step 5.** Place four gaskets around the four slots on the outside of the unit, as shown in Figure 5.
- Step 6.** Install the EV charger to the support plate by pushing the four flush head studs through the backside of the EV charger and fastening the four M6 nuts. See Figure 5.
- Step 7.** (Optional) Repeat step 5 and 6 for the second EV charger in case of the Green Motion Home and Green Motion Building double EV charger floor-mounted column.

Figure 3. Footplate of the floor-mounted column with dimensions

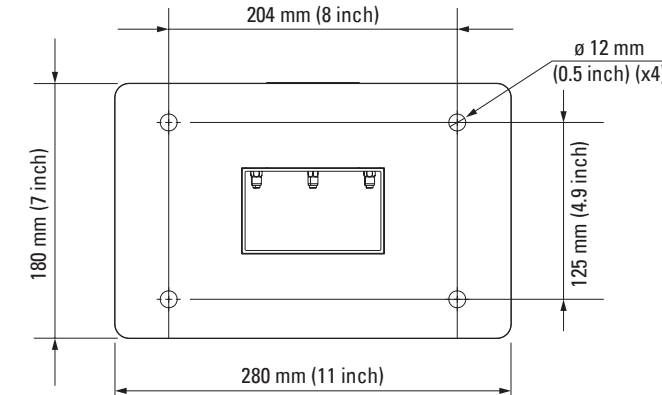


Figure 4. Power and communication cables through the Green Motion Home and Green Motion Building single/double EV charger floor-mounted column

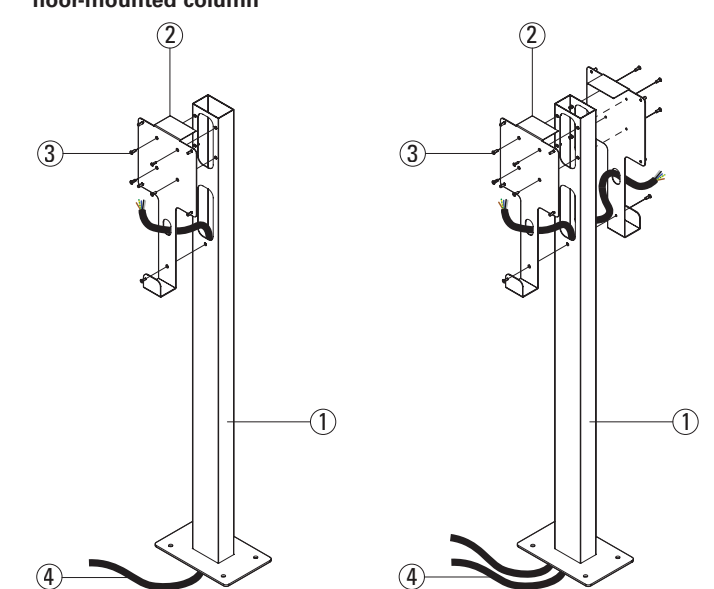
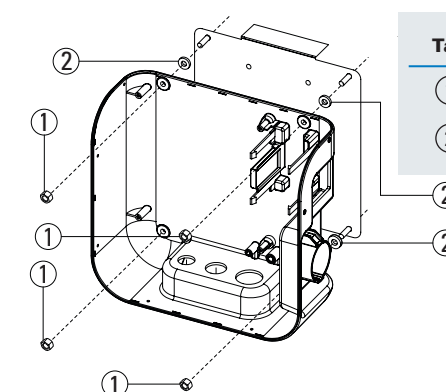


Figure 5. Mounting the EV charger on the support plate of the floor-mounted column



Tag	Description
①	M6 Nuts
②	Adhesive gaskets

Tag	Description
①	Floor-mounted column
②	Support plate
③	Screws
④	Power and communication cables