

Never turn on equipment when there is evidence of fire or structural damage.

Green Motion Home and Green Motion Building cable holder must be installed only by professional and qualified personnel.

Read and understand the safety instructions and warnings prior to installation.

1. Technical specifications

Technical disclaimer

All drawings, descriptions or illustrations contained in this document serve to provide a clear overview and/or technical explanation of the present product and its various components and accessories.

In line with our goal to continuously improve the products and the customer service we provide, all specifications contained in this document are subject to change without notice.

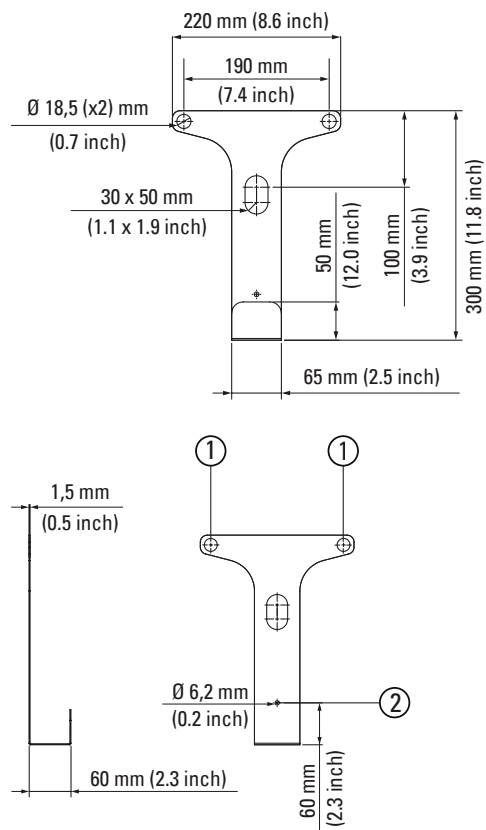
The Green Motion Home and Green Motion Building cable holder supports the cable attached to the EV charger.

Dimensions and weight

The table below shows the dimensions and weight of the Green Motion Home and Green Motion Building cable holder.

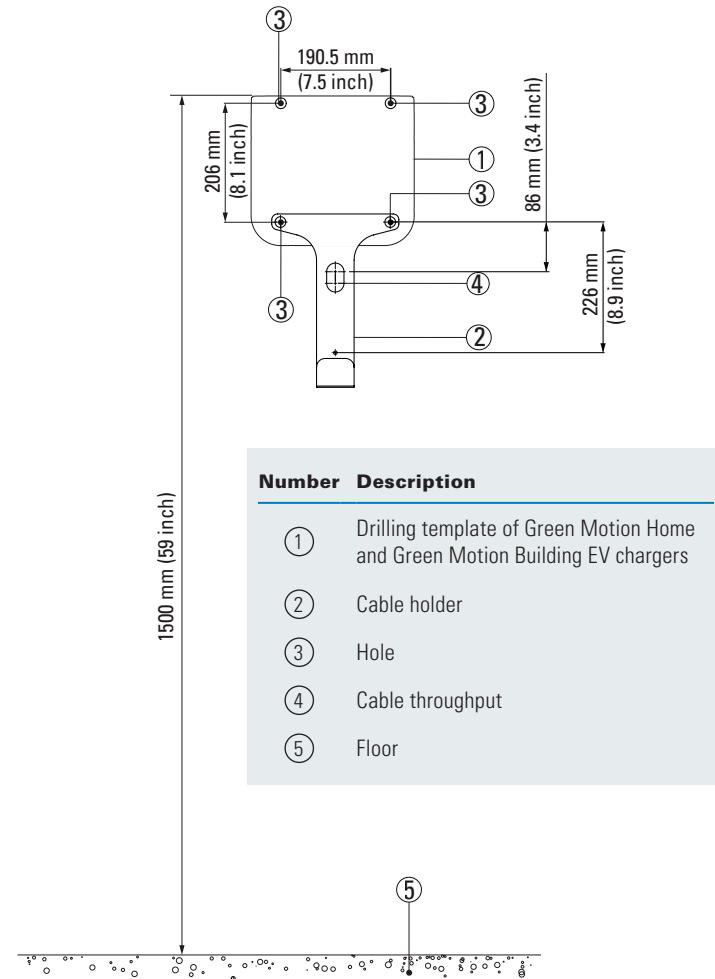
Green Motion Home and Green Motion Building cable holder	
Dimensions (H x W x D) in mm	300 x 220 x 60
Weight in kg	0.4
Installation method	Wall-mounted

Figure 1. Green Motion Home and Green Motion Building cable holder with dimensions



Number	Description
①	Mounting slots
②	Optional mounting slot

Figure 2. Drilling template for the Green Motion Home and the Green Motion Building EV chargers with the cable holder



Number	Description
①	Drilling template of Green Motion Home and Green Motion Building EV chargers
②	Cable holder
③	Hole
④	Cable throughput
⑤	Floor

2. Installation method

Tools required for the installation

To perform the installation, professional and qualified personnel should have the following tools:

- Screwdriver
- Drilling machine

Materials required for the installation

To perform the installation, professional and qualified personnel should have the following materials:

Green Motion Home and Green Motion Building cable holder	Provided by Eaton
One cable holder	✓
Four adhesive gaskets	✓
Four Ø6-mm screws	✗
Four wall plugs	✗

Please note that the appropriate type of screws and wall plugs must be selected by professional and qualified personnel, based on the following considerations:

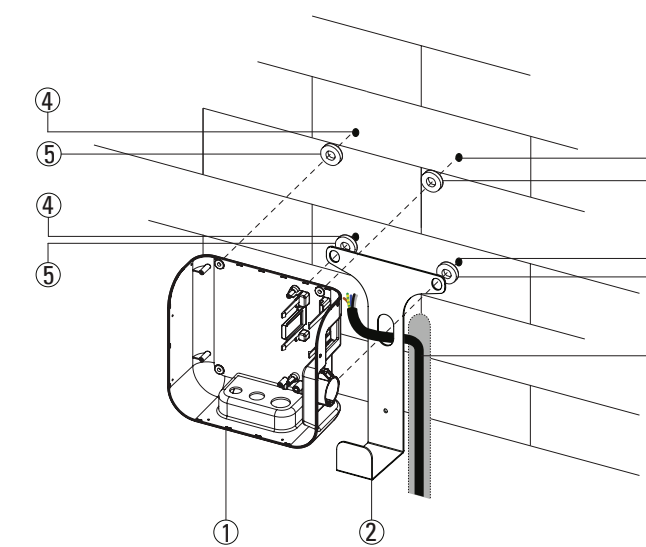
- the installation location,

- the type of wall on which the EV charger and cable holder are to be mounted,
- the local rules and regulations.

Mounting

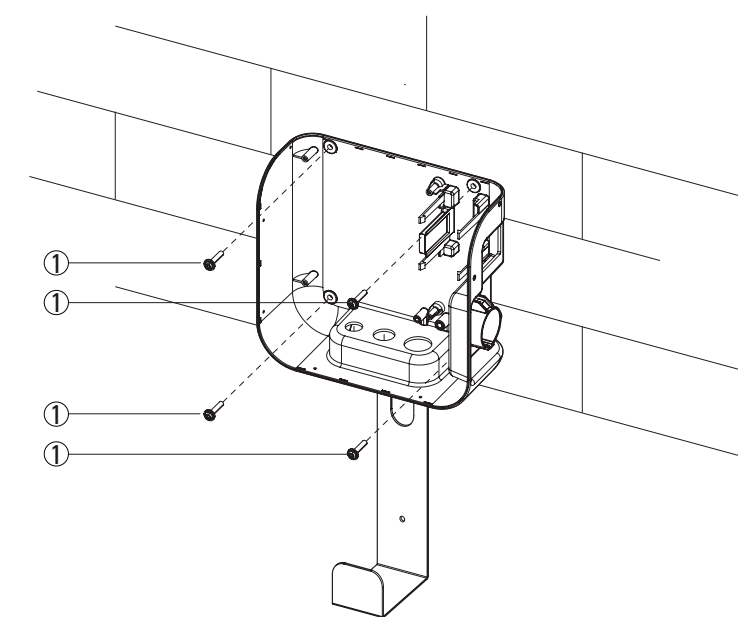
- Step 1.** Use a spirit level to place the drilling template of the Green Motion Home or Green Motion Building EV charger on the wall. Make sure the template's top is at a height of 1500 mm from ground level, for optimal accessibility.
- Step 2.** Mark the holes with a pencil and remove the drilling template.
- Step 3.** Drill four holes in the wall according to the drilling template and measurements shown in Figure 2. Make sure to not damage any cables in the wall.
- Step 4.** (Optional) Pull the power and communication cables through the cable throughput in the cable holder as indicated in Figure 3.
- Step 5.** Place four adhesive gaskets around the four slots on the outside of the unit and align the two mounting slots of the cable holder with the lower two mounting slots of the EV charger. See Figure 3.
- Step 6.** Screw the EV charger and cable holder to the wall with four Ø6-mm screws. See Figure 4.
- Step 7.** (Optional) The cable holder can be fixed to the wall with an extra Ø6-mm screw. See Figure 1. Make sure to not damage any cables in the wall.

Figure 3. Mounting of the cable holder on the wall



Number	Description
①	EV charger
②	Cable holder
③	Power and communication cables
④	Holes
⑤	Adhesive gaskets

Figure 4. Fixing the EV charger and cable holder to the wall



Number	Description
①	Ø6-mm screws