

AC/DC Rated



Contents

Description	Page
AC/DC Rated	
Product Selection	2
Technical Data and Specifications	3
Dimensions	4

Product Description

These general-purpose, AC/DC rated, pushbutton switches offer a wide variety of configurations, button styles and termination types. The 7835 and 7836 light-duty series pushbutton switches are AC only. They feature slow-make/slow-break butt-type contacts with a light operating pressure that is particularly suited to instrumentation applications.

Features

- Circuits
 - 1PST, 1PDT, 2PDT
 - Momentary action
- Terminal Types
 - Screw terminals, brass (furnished unassembled)
 - 8448 Series
 - #6-32 x 3/16 in binding head screws **(Cat. No. 811-2)**
 - 8410/8411 Series
 - #5-40 x 3/16 in **(Cat. No. 811-7206)**
 - 8406/8440 Series
 - #5-40 x 5/32 in screws **(Cat. No. 11-26)**
- Solder lug, brass silver-plated
- Hardware supplied
 - One hexagon locknut **(Cat. No. 15-192)** and one bright nickel-plated knurled facenut **(Cat. No. 15-124F1)**
 - 8411/8418 Series has a bright nickel-plated hexagon facenut **(Cat. No. 15-966-2)**
 - All hardware is furnished unassembled
 - Other mounting types are flush, nest and snap-in

Standards and Certifications ^①

- UL Recognized
- CSA Certified
- RoHS ^②



Notes

- ① Except where noted.
- ② Visit www.eaton.com/vcbu for the most up-to-date list of verified part numbers.

3.1

Pushbuttons

AC/DC Rated

Product Selection

Non-Illuminated

Light-Duty, Momentary Contact

3

Flush



Flush Mounted

Rating	Poles and Throw	Contacts	Circuit Number ^①	Button Construction	Color	Button Extension Dimensions "B" in Inches (mm)	Typical Max. Operating Force	Mounting or Bushing Length Dimensions "A" in Inches (mm)	Catalog Number
Screw Terminals									
1/4A, 250 Vac/Vdc	1PST	NC	A	Nylon	Black	0.468 (11.89)	0.7 lbs ^③	Flush	8406K1
3/4A, 125 Vac/Vdc						0.453 (11.50)	0.7 lbs ^③	Flush	8410K1

Snap-in



Snap-in Mounted

Rating	Poles and Throw	Contacts	Circuit Number ^①	Button Construction	Color	Button Extension Dimensions "B" in Inches (mm)	Typical Max. Operating Force	Mounting or Bushing Length Dimensions "A" in Inches (mm)	Catalog Number
Spade Terminals (0.250 in)									
3/4A, 125 Vac/Vdc	1PST	NC	A	Nylon	White	0.375 (9.53)	—	Snap-in	8423K1 ^⑤
1/4A, 250 Vac/Vdc		NO	A	Nylon	White	0.375 (9.53)	—	Snap-in	8424K1 ^⑤

Bushing



Bushing Mounted

Rating	Poles and Throw	Contacts	Circuit Number ^①	Button Construction	Color	Button Extension Dimensions "B" in Inches (mm)	Typical Max. Operating Force	Mounting or Bushing Length Dimensions "A" in Inches (mm)	Catalog Number
Solder Lugs									
3/4A, 125 Vac/Vdc	1PST	NC	A	Nylon	Black	0.250 (6.35)	1.5 lbs ^③	0.250 (6.35)	8411K5
1/4A, 250 Vac/Vdc									
3/4A, 125 Vac/Vdc	1PST	NC	A	Nylon	Black	0.406 (10.31)	1.5 lbs ^③	0.468 (11.89)	8411K8
1/4A, 250 Vac/Vdc									
5A, 12 Vdc, 3A, 125 Vac ^②	1PST	NO	A	Metal	—	0.296 (7.52)	2.5 lbs	0.468 (11.89)	8440K2 ^⑤
3A, 125 Vac			A	Metal	—	0.312 (7.92)	—	0.562 (14.27)	7835K11A ^⑥
1A, 250 Vac	1PST	NC	A	Nylon	Black	—	—	0.562 (14.27)	7835K11C
1/10 hp, 125 Vac			A	(snap-on)	Red	—	—	0.562 (14.27)	7835K11D
3A, 125 Vac			A	Metal	—	0.312 (7.92)	—	0.562 (14.27)	7836K11A ^⑥
1A, 250 Vac	1PST	NO	A	Nylon	Black	—	—	0.562 (14.27)	7836K11C ^⑥
1/10 hp, 125 Vac			A	(snap-on)	Red	—	—	0.562 (14.27)	7836K11D ^⑥
Screw Terminals									
3/4A, 125 Vac/Vdc	1PST	NC	A	Nylon	Black	0.406 (10.31)	1.5 lbs ^③	0.468 (11.89)	8411K7
1/4A, 250 Vac/Vdc		NO				0.375 (9.53)	1.5 lbs ^④	0.468 (11.89)	8411K12
5A, 12 Vdc, 3A, 125 Vac ^②	1PST	NO	A	Metal	—	0.296 (7.52)	2.5 lbs	0.468 (11.89)	8440K3 ^⑤
3A, 125 Vac			A	Metal	—	0.312 (7.92)	—	0.562 (14.27)	7836K13A
1A, 250 Vac	1PST	NO	A	Metal	—	0.312 (7.92)	—	0.562 (14.27)	7836K12A
1/10 hp, 125 Vac			A	Metal	—	0.312 (7.92)	—	0.562 (14.27)	7836K12A
Wire Leads ^⑦									
3/4A, 125 Vac	1PST	NC	A	Metal	—	0.312 (7.92)	—	0.562 (14.27)	7835K12A
1A, 250 Vac		NO				0.312 (7.92)	—	0.562 (14.27)	7836K12A
1/10 hp, 125 Vac									
Spade Terminals (0.250 in)									
1/4A, 250 Vac/Vdc	1PST	NO	A	Nylon	Red	0.250 (6.35)	1.5 lbs ^④	0.250 (6.35)	8411K13 ^⑤
3/4A, 125 Vac/Vdc	1PST	NC	A	Nylon	Black	0.406 (10.31)	1.5 lbs ^③	0.468 (11.89)	8411K10
		NO				0.375 (9.53)	1.5 lbs ^④	0.468 (11.89)	8411K11 ^⑤
3A, 125 Vac	1PST	NC	A	Nylon	Black	0.250 (6.35)	1.5 lbs	0.250 (6.35)	8418K1 ^⑤
		NO				0.406 (10.31)	1.5 lbs	0.468 (11.89)	8418K12 ^⑤

Notes

- ① For circuit number detail, see table in CA07002016E.
- ② UL and CSA Listing not applicable.
- ③ To change operating pressure, refer to your local Eaton Sales Representative.
- ④ Operating pressure cannot be changed.
- ⑤ Combination spade and solder lug terminal.
- ⑥ Items are normally in distributor stock.
- ⑦ Standard length is 6 in (152.40 mm), stripped 0.625 in (15.88 mm).

Non-Illuminated**Medium-Duty, Momentary Contact****One-Hole****One-Hole Mounted**

Rating	Poles and Throw	Contacts	Circuit Number ^①	Button Construction	Color	Button Extension Dimensions "B" in Inches (mm)	Typical Max. Operating Force	Mounting or Bushing Length Dimensions "A" in Inches (mm)	Catalog Number
Screw Terminals									
15A, 125 Vac 10A, 250 Vac 1/3 hp, 125–250 Vac	1PST	NO	A	Metal	—	0.531 (13.49) 0.250 (6.35)	0.9 lbs 0.9 lbs	0.687 (17.45) 0.343 (8.71)	8444K3 8444K4
15A, 125 Vac, NO 10A, 125 Vac, NC 10A, 250 Vac, NO 5A, 250 Vac, NC 1/2 hp, 250 Vac 1/4 hp, 125 Vac	1PDT	NO, NC	B B	Metal Bakelite	— Black	0.531 (13.49) 0.531 (13.49)	2.0 lbs 2.0 lbs	0.687 (17.45) 0.687 (17.45)	8434K2 8435K2
15A, 125 Vac 10A, 250 Vac	2PST	NO	C	Metal	—	0.250 (6.35)	—	0.343 (8.71)	8448K2 ^②
Spade Terminals (0.250 in)									
15A, 125 Vac 10A, 250 Vac 1/3 hp, 125–250 Vac	1PST	NO	A	Metal	—	0.531 (13.49)	0.9 lbs	0.687 (17.45)	8444K2
15A, 125 Vac, NO 10A, 125 Vac, NC 10A, 250 Vac, NO 5A, 250 Vac, NC 1/2 hp, 250 Vac 1/4 hp, 125 Vac	1PDT	NO, NC	B B	Metal Bakelite	— Black	0.531 (13.49) 0.531 (13.49)	2.0 lbs 2.0 lbs	0.687 (17.45) 0.687 (17.45)	8434K1 8435K1
15A, 125 Vac 10A, 250 Vac	2PST	NO	C	Metal	—	0.250 (6.35)	—	0.343 (8.71)	8448K1 ^②

Technical Data and Specifications**AC/DC Rated**

Description	Specification
Ratings	See Product Selection tables on Page 2 and the table above.
Contact material	Movable, silver-plated copper Stationary, silver-plated copper
10–15A rated	Movable, silver-plated copper with fine or coin silver contact face button Stationary, copper with fine or coin silver contact face button
Wire leads	18 gauge, 6 in (152 mm) long, skinned 0.75 in (19 mm) Lengths beyond 6 in (152 mm) are additional charge
Mounting means—One-hole mount	Threaded bushing—0.468 in dia. 32 threads/inch (11.90 mm) Keyway—0.068 W x 0.035 D in (1.73 W x 0.89 D mm); provides anti-rotation feature Keyway on 7835/7836 Series is 0.080 W x 0.040 D in (2.03 W x 1.01 D mm)
Operating temperature range	0° to 150°F (–17.8° to 65.6°C)

Notes

- ^① For circuit number detail, see table in **CA07002016E**.
^② UL and CSA Listing not applicable.

3.1

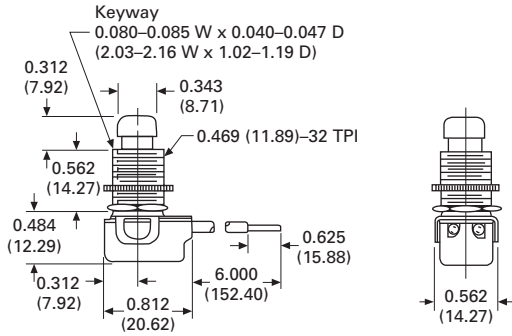
Pushbuttons

AC/DC Rated

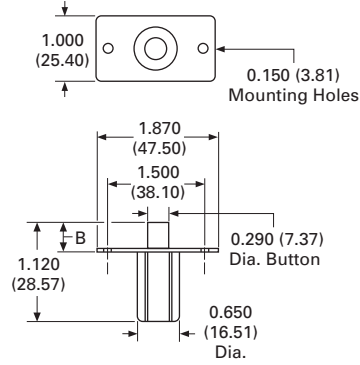
Dimensions

Approximate Dimensions in Inches (mm)

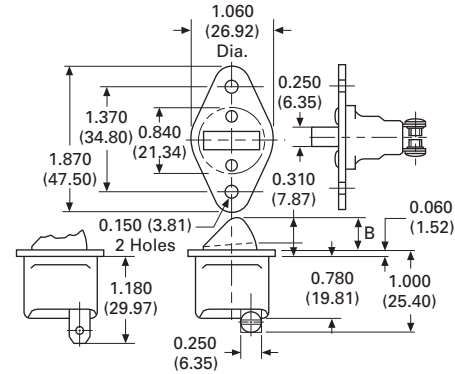
7835K12A



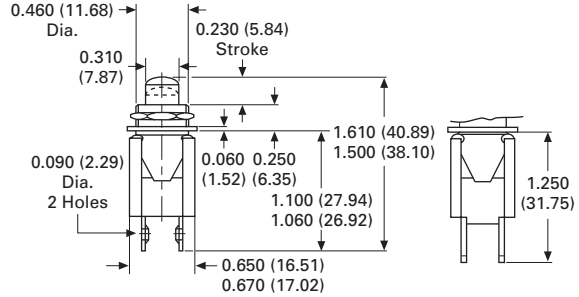
8410



8406

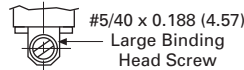
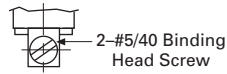
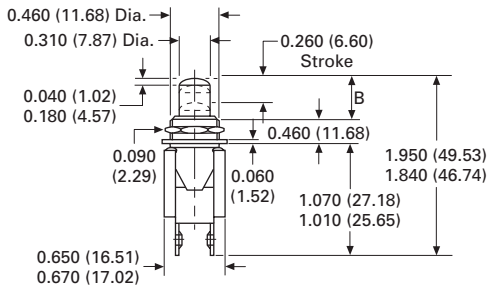


8411K5 and 8411K13

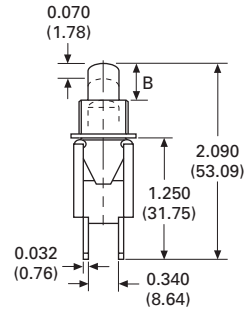


Spade Terminal Screw Type Terminal

8411K7, 8411K8, 8411K11 and 8411K12

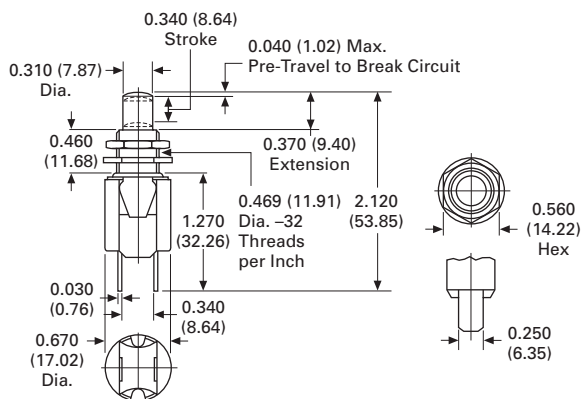


Screw Type Terminals

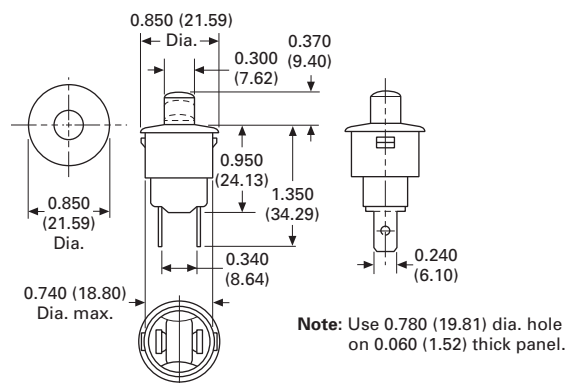


Approximate Dimensions in Inches (mm)

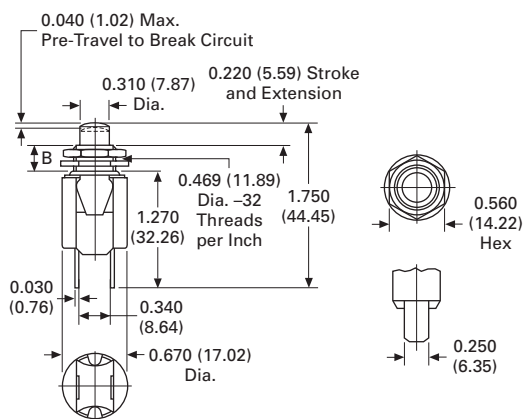
8411K10 and 8418K12



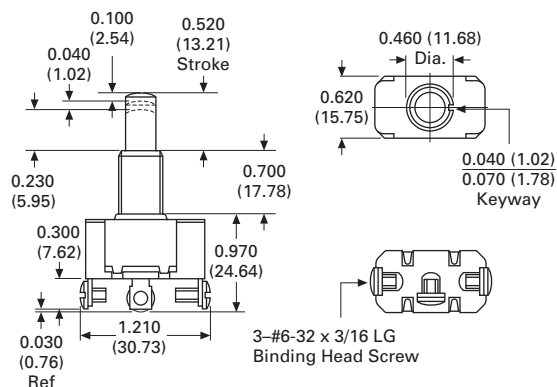
8423 and 8424



8418K1



8434K2 and 8435K2



3.1

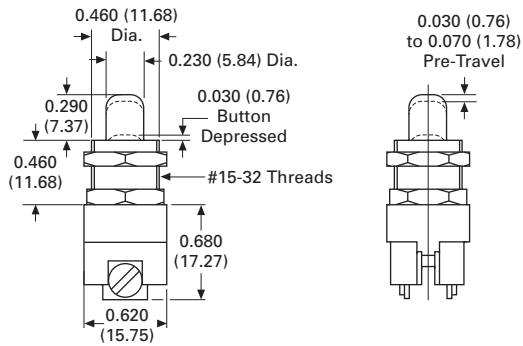
Pushbuttons

AC/DC Rated

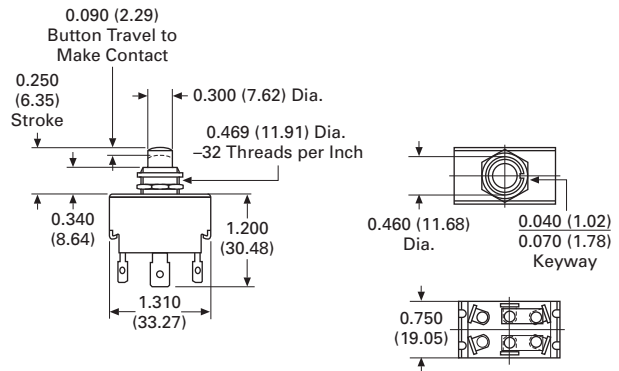
Approximate Dimensions in Inches (mm)

3

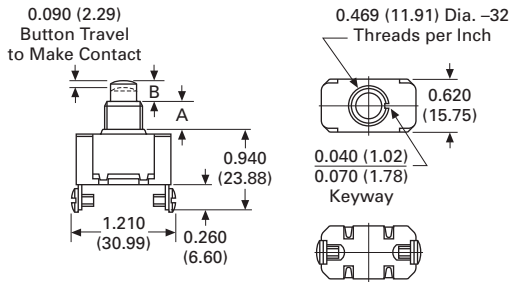
8440



8448K1



8442 and 8444 (Screw Terminals)



8448K2

