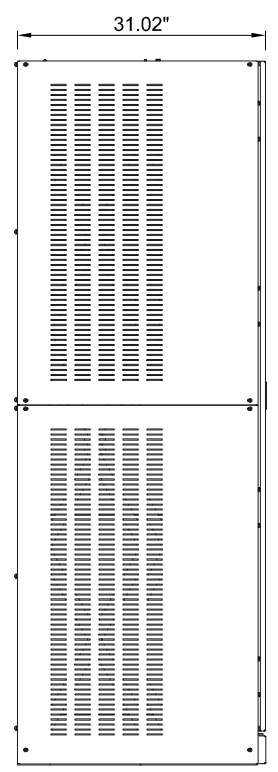


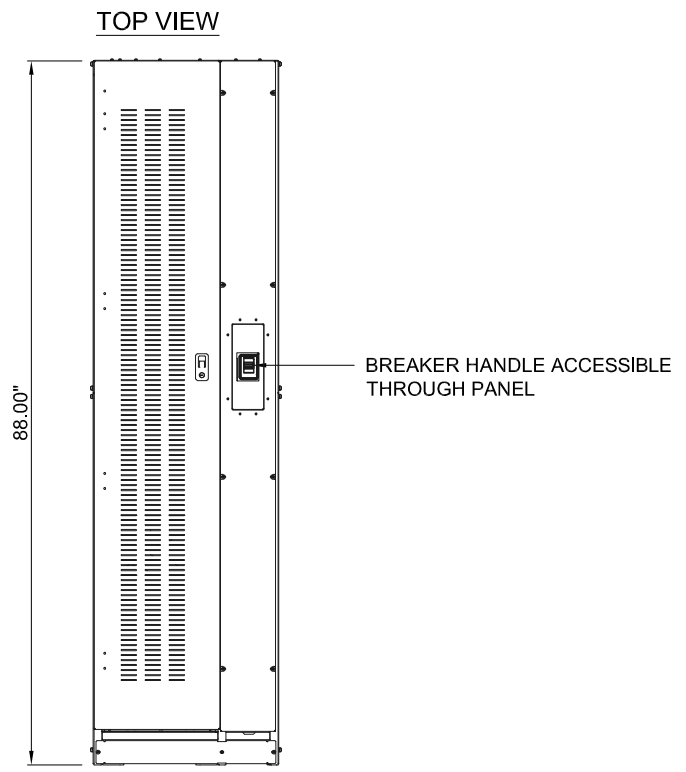
**CAUTION: HIGH VOLTAGE, RISK OF ELECTRICAL SHOCK**

- FOLLOW ALL SAFETY PRECAUTIONS WHEN WORKING ON THIS SYSTEM
- ALWAYS WEAR PROPER SAFETY EQUIPMENT INCLUDING EYE PROTECTION

\*\*\*\* PLEASE NOTE THAT THE BATTERY CABINET FRAMES, TOP ACCESS PANELS AND REAR PANELS WILL ALL BE PAINTED INTRAPACK GRAY

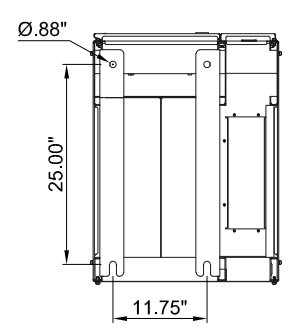


SIDE VIEW



CABINET A

FRONT VIEW



BOTTOM VIEW

THE INFORMATION CONTAINED IN THIS DRAWING IS THE SOLE PROPERTY OF INTRAPACK INDUSTRIES INC. ANY REPRODUCTION IN PART OR WHOLE WITHOUT THE WRITTEN PERMISSION OF INTRAPACK INDUSTRIES INC. IS PROHIBITED.

NO.	DATE	REVISION DESCRIPTION

**IntraPack**® 10650 MARKISON ROAD  
 DALLAS, TX. 75238  
 PHONE: 214-348-7105  
 EMAIL: SALES@INTRAPACK.COM  
 WWW.INTRAPACK.COM  
 © INTRAPACK 2017

SYSTEM WEIGHT: 1,300 lbs			
JOB NO.	N/A	DATE:	06/13/2019
QUOTE NO.	IPC19-0383-00	DRAWN BY:	DBC
SCALE:	N.T.S.	APPR. BY:	NLB

EATON CAPACITOR CABINET POSITIVE FUSES
DRAWING NO. IP2SC-20XLM62R-480-1-1D400-AR

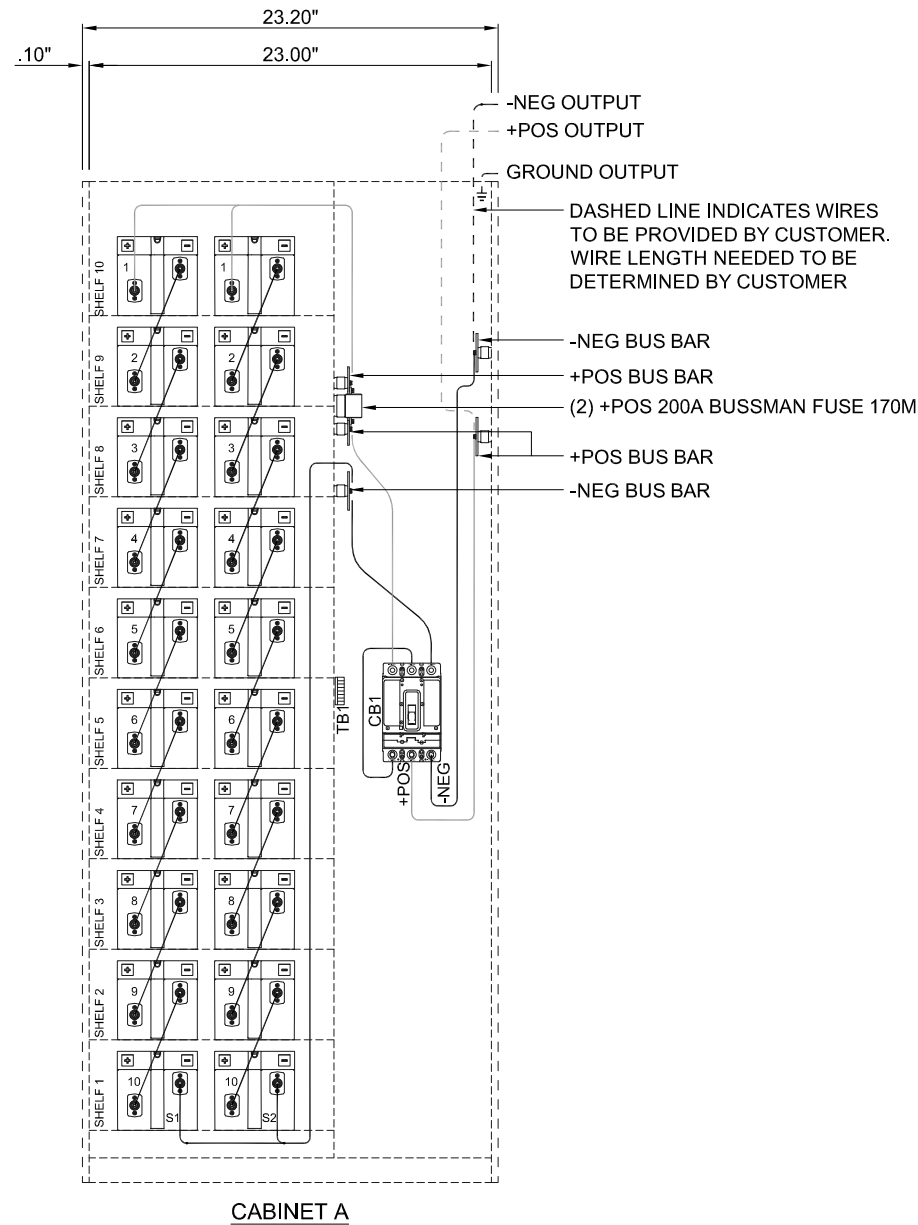
POSITIONING OF COMPONENTS ARE FOR ILLUSTRATION PURPOSES AND MAY NOT BE REPRESENTED IN THE EXACT LOCATION INDICATED.

**CAUTION: HIGH VOLTAGE, RISK OF ELECTRICAL SHOCK**

- FOLLOW ALL SAFETY PRECAUTIONS WHEN WORKING ON THIS SYSTEM
- ALWAYS WEAR PROPER SAFETY EQUIPMENT INCLUDING EYE PROTECTION

**GENERAL NOTES:**

1. ONLY QUALIFIED TECHNICIANS SHOULD PERFORM INSTALLATION OR MAINTENANCE OF THIS BATTERY SYSTEM.
2. ALL TOOLS SHOULD BE INSULATED TO PREVENT ELECTRICAL SHOCK.
3. OPEN DISCONNECTS BEFORE INSTALLATION OR MAINTENANCE.
4. CHECK DC VOLTAGE AT BATTERY OUTPUT AND UPS OUTPUT TO ENSURE PROPER POLARITY BEFORE MAKING FINAL CONNECTIONS.



**ELECTRICAL ILLUSTRATION**

THE INFORMATION CONTAINED IN THIS DRAWING IS THE SOLE PROPERTY OF INTRAPACK INDUSTRIES INC. ANY REPRODUCTION IN PART OR WHOLE WITHOUT THE WRITTEN PERMISSION OF INTRAPACK INDUSTRIES INC. IS PROHIBITED.

NO.	DATE	REVISION DESCRIPTION

**IntraPack**® 10650 MARKISON ROAD  
 DALLAS, TX. 75238  
 PHONE: 214-348-7105  
 EMAIL: SALES@INTRAPACK.COM  
 WWW.INTRAPACK.COM  
 © INTRAPACK 2017

SYSTEM WEIGHT: 1,300 lbs			
JOB NO.	N/A	DATE:	06/13/2019
QUOTE NO.	IPC19-0383-00	DRAWN BY:	DBC
SCALE:	N.T.S.	APPR. BY:	NLB

EATON CAPACITOR CABINET  
 POSITIVE FUSES

DRAWING NO.  
 IP2SC-20XLM62R-480-1-1D400-AR