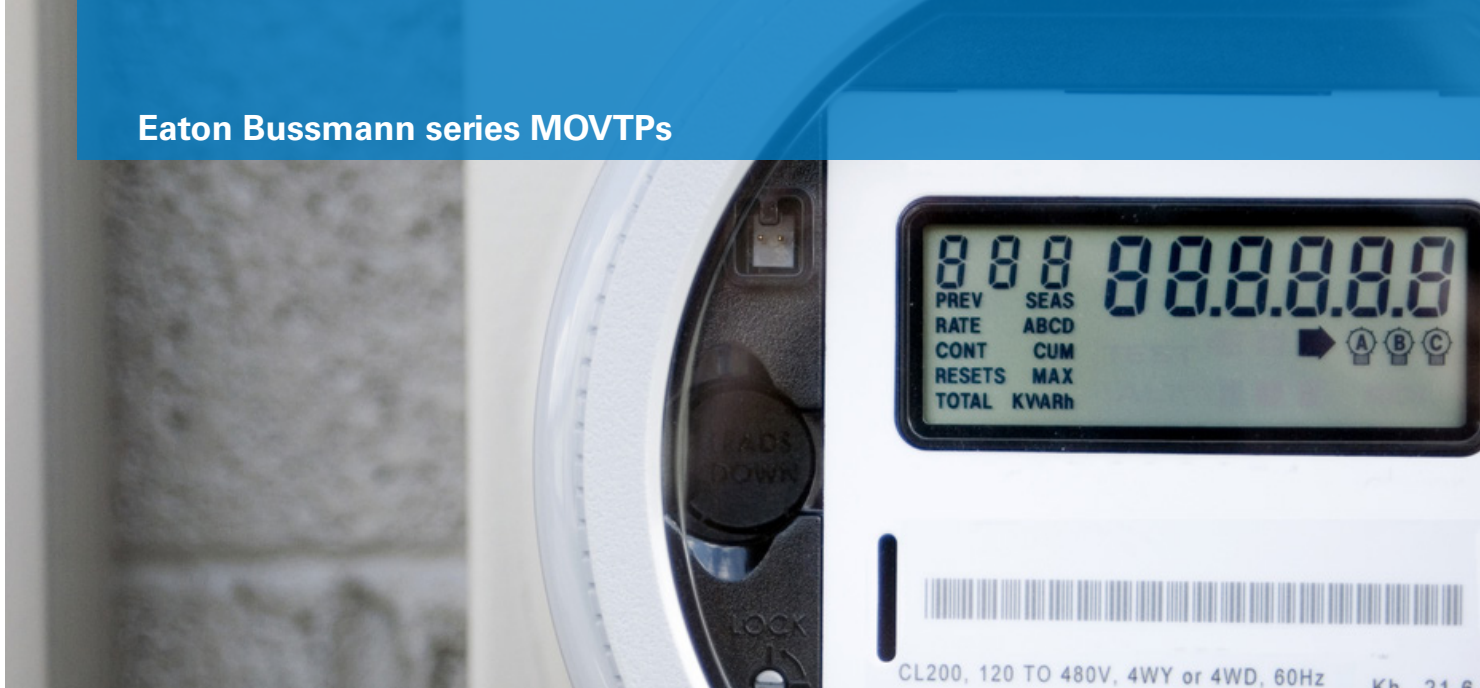
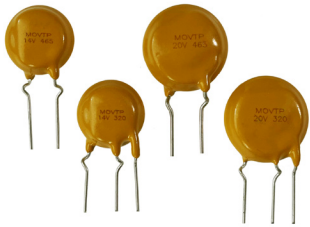


Eaton Bussmann series MOVTPs



Thermally protected MOVs offering integrated circuit protection elements



Eaton Bussmann series MOVTPs are radial-leaded Metal Oxide Varistors (MOV) comprising an integrated thermal element designed to open when the MOV overheats due to prolonged and/or abnormal overvoltages.

Product description

Eaton Bussmann series MOVTPs are radial-leaded Metal Oxide Varistors (MOV) comprising an integrated thermal element designed to open when the MOV overheats due to prolonged and/or abnormal overvoltages. Eaton MOVTPs are offered in 14 mm and 20 mm disc sizes with working voltage ratings from 130 Vac to 465 Vac, suitable for the most common distribution voltages. These products are rated up to 10 kA of surge current and feature an optional extra lead for indication.

Features and benefits

- MOV and thermal fuse combination for integrated circuit protection
- High surge current overvoltage protection (up to 10 kA)
- Two disc sizes with working voltage ratings from 130 Vac to 465 Vac
- Device opens the circuit safely upon the end of its cycle life
- Optional third lead to indicate the device's end of life
- UL 1449 certification

EAT•N

Powering Business Worldwide

Part number	Working voltage		Varistor voltage		Clamping voltage 8/20 μ s (V)	Leakage current @ V_r * 75% (at initial state) (μ A) maximum	Peak current 8/20 μ s i_{max} (A) maximum
	V_{ac}	V_{dc}	V_v @ 1 mA DC V_{min}	V_{max}			
MOVTP14VxxxN/T	130-465	170-615	180-675	220-825	340(50A)-1240(50A)	20	6000
MOVTP20VxxxN/T	130-465	170-615	180-675	220-825	340(100A)-1240(100A)	20	10000

Dimensions- mm

Drawing not to scale

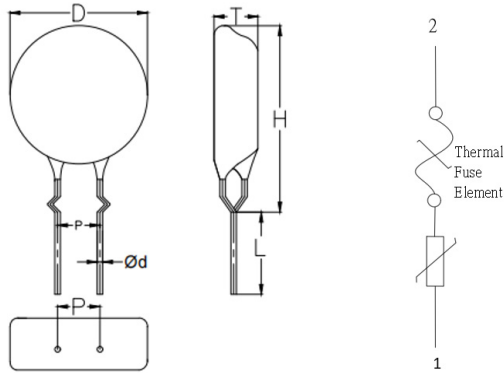


Figure 1

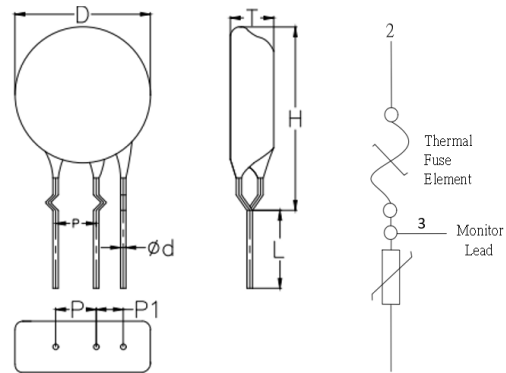


Figure 2

Part number	Disc size	D	P ± 1.0	P1 ± 1.0	H max	d ± 0.05	T max	L min	Marking		Figure
									1 st line	2 nd line	
MOVTP14VxxxN	$\Phi 14$	15.5-18.5	7.5	--	26.5	0.8	8.5- 10.3	8	MOVTP	14V130-465	1
MOVTP14VxxxT	$\Phi 14$	15.5-18.5	7.5	5	26.5	0.8	8.5-10.3	8	MOVTP	14V130-465	2
MOVTP20VxxxN	$\Phi 20$	19.5-23.5	7.5	--	31.5	0.8	10.2-12	6	MOVTP	20V130-465	1
MOVTP20VxxxT	$\Phi 20$	19.5-23.5	7.5	5	31.5	0.8-1.0	10.2-12	6	MOVTP	20V130-465	2

Eaton
Electronics Division
 1000 Eaton Boulevard
 Cleveland, OH 44122
 United States
 Eaton.com/electronics

© 2021 Eaton
 All Rights Reserved
 Printed in USA
 Publication No. ELX1080 BU-ELX21086
 September 2021

Eaton is a registered trademark.

All other trademarks are property of their respective owners.

Follow us on social media to get the latest product and support information.

