

Eaton's Bussmann™ series AMX, AMH & AML bolt-down fuses



Eaton's bolt-down fuses provide reliable overcurrent protection in high-power applications



Eaton's Bussmann™ series AMX, AMH, and AML are a family of bolt-down fuses that provide best-in-class power density with nominal current ratings from 350 A to 500 A.

Product description

Eaton's Bussmann™ series AMX, AMH & AML are a family of bolt-down fuses that provide best-in-class power density with nominal current ratings from 350 A to 500 A. These three product families offer higher voltage ratings, up to 125 Vdc, and ultra-high interrupt ratings (up to 20 kA). They are suited for overcurrent protection in high-current power distribution applications and against damaging fault currents caused by the latest battery technologies. They also offer a rejection feature to prevent lower voltage options from being used in place. Applications for Eaton Bussmann series AMX, AMH & AML fuses include energy, industrial, and transportation.

Features and benefits

- Bolt-down fuses in industry-standard and common footprints
- 125 Vdc ratings with high interrupt ratings to support newer battery chemistries
- Includes fuse holders to accept fuses for easy integration into power distribution systems
- Ultra-compact footprints in standard bolt-down configurations
- Can offer different footprints that behave like a rejection feature against lower-rated products
- Multiple footprint options

EATON

Powering Business Worldwide

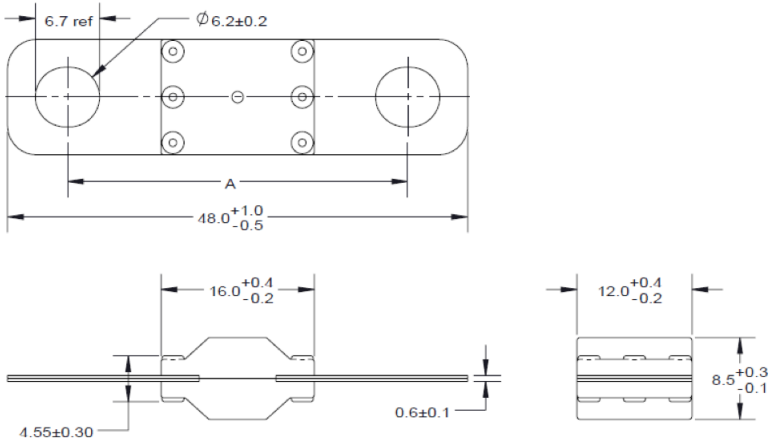
Product specifications

| Family | Rated current (A) | Interrupting rating | Maximum voltage rating | Typical cold resistance (mohms) |
|-----------|-------------------|---|------------------------|---------------------------------|
| AMH & AML | 350 to 500 | 16 kA @ 125 Vdc 20 kA @ 125 Vdc | 125 Vdc | 0.104 to 0.14 |
| AMX(L) | 80 to 350 | 8 kA @ 63 Vdc 6 kA @ 100 Vdc 3 kA @ 125 Vdc | 125 Vdc | 0.13 to 0.51 |

Dimensions- mm

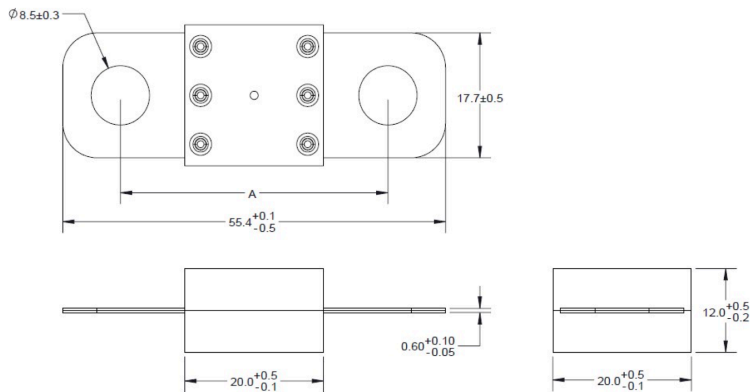
Drawing not to scale

AMX(L)



| PN | Dimension A (mm) |
|----------|------------------|
| AMX-XXX | 30.0 +/- 0.3 |
| AMXL-XXX | 35.5 +/- 0.3 |

AMH & AML



| PN | Dimension A (mm) |
|---------|------------------|
| AMH-XXX | 39 +/- 0.3 |
| AML-XXX | 50.8 +/- 0.3 |

Eaton
Electronics Division
 1000 Eaton Boulevard
 Cleveland, OH 44122
 United States
Eaton.com/electronics

© 2023 Eaton
 All Rights Reserved
 Printed in USA
 Publication No. ELX1254 BU-ELX22187
 February 2023

Eaton is a registered trademark.

All other trademarks are property of their respective owners.

Follow us on social media to get the latest product and support information.

