

New Brick™ fuse offers fast-acting performance and protection against inrush currents



6125FF family

Eaton's Bussmann® Series 6125FF family offers reliable protection in a compact SMD package

Wide selection

The 6125FF family is available in ratings from 250 mA up to 15 A providing a wide range of solutions for applications requiring fast-acting performance. For time-delay performance, Eaton also offers the 6125TD family.

Superior inrush withstand performance

Provides top notch protection against nuisance openings. The spiral wound element makes this fuse ideal for applications in which inrush currents are a consideration.

Protection up to 125 V

6125FF fuses offer 50 A interrupting rating for voltages of 125 ac and 72 dc and 300 A for voltages of 32 dc.

Wire-in-air construction

The 6125FF utilizes a spiral wound element surrounded by air to provide superior protection against inrush currents. This durable SMD fuse stands up to the toughest mechanical and environmental conditions.

Space saving

The compact SMD Brick™ fuse offers a significant space savings over traditional thru-hole devices. The small footprint is ideal for space sensitive applications.

Applications

- LED/LCD TV (Backlight Inverters)
- Power Supplies
- Telecom
- Desktops (VRM)
- Notebooks
- Lighting



Powering Business Worldwide

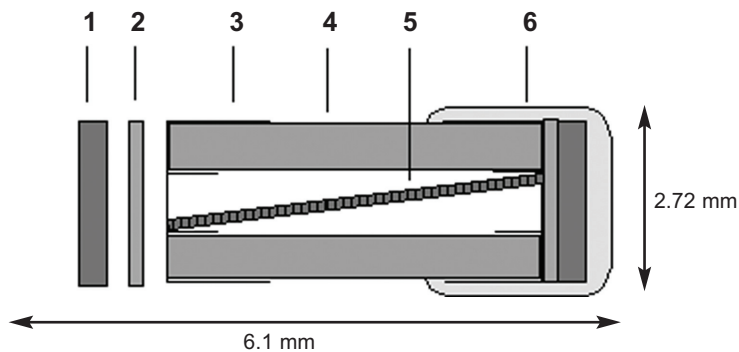
Technology: Solid matrix Chip™ fuse

Electrical Characteristics:

- Fuses will carry 100% rated current for minimum of 4 hours.
- Fuses will carry 200% rated current for maximum of 5 seconds.

Interrupting Rating	Rated Voltage	
	VAC	VDC
50A	125	72
300A	N/A	32

Dimensions and construction- mm



1. End plate
2. High temperature solder preform
3. Metallization of ceramic body
4. Ceramic body
5. Fuse element
6. End termination overcoat on both ends

Technical Application Assistance

Call 636-527-1270

E-mail fusetech@eaton.com

Data Sheets: www.eaton.com/electronics

Order samples on-line: <https://tools.eatonelectronics.com/request-form>

**Eaton
Electronics Division**
1000 Eaton Boulevard
Cleveland, OH 44122 United States
www.eaton.com/electronics

© 2017 Eaton
All Rights Reserved Printed in USA
Publication No. B-SS 6125FF
December 2017

Eaton is a registered trademark.
All other trademarks are property of their respective owners.

For more information visit:
www.eaton.com/fuses