

5 mm Ferrule fuses offered in a variety of sizes, constructions, and design standards - up to 400 Vdc/600 Vac



Eaton's Bussmann® Series of 5 mm fuses include a complete line of both fast-acting and time-delay options of both low-breaking glass and high-breaking ceramic constructions.

Extensive offerings

Eaton's 5 mm fuse family carries the IEC and/or UL approvals across the entire amp range, including the higher 8-15 A products. The higher wattage requirements of today's end products mean these higher amperage fuses are specified more and more.

Fuse accessories

To complete any ferrule fuse application need, Eaton offers a full line of fuse accessories such as PCB clips, holders and blocks.

RoHS compliant

The 5 mm fuses from Eaton are available in a RoHS compliant product option, by adding a "-R" suffix to the base part number.

Packaging options

Eaton offers a variety of packaging options, to meet your production needs. These range from the 5 pack tins to 100 or 1000 pack boxes. When axial leads (-V) are specified for through-hole mounting, a tape-and-reel (TR2) packaging option is also available.

Application note

Power supplies, power adapters and battery chargers play a critical role in the operation of virtually all consumer electronic devices.

These power supplies, or battery chargers, convert high voltage AC electricity from the wall outlet to the low

voltage DC used to power today's consumer electronic products.

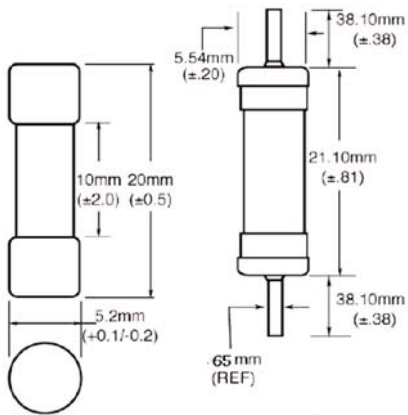
These include personal computers, printers, MP3 players, mobile phones, high definition televisions, game systems, DVD players, and set top boxes. Because these products are plugged into the wall and can be exposed to dangerous overcurrent events, they require primary circuit protection.

Applications

- Power supplies
- Power adapters
- Battery chargers
- Desktops / notebooks
- Printers
- TVs / displays
- Game systems
- Set top boxes
- Air conditioners
- Lighting ballasts

EATON
Powering Business Worldwide

Dimensions - mm



- Ratings above 6.3 have a 0.8mm diameter lead
- With TR2 packaging code, lead wire length is 19.05mm

5 mm Fuse family detail and quick cross reference

Style/Construct./Agency Info.	Eaton	Littelfuse
5 x 15mm		
TD, Glass w/ Leads, UL	C515	230
350V FA, Glass w/ Leads, UL	C517	220
FA, Glass w/ Leads, UL	C518	224
TD, Glass, UL	C519	229
FA, Glass, UL	C520	225
5 x 20mm		
FA, Glass, IEC	S500	217
FA, Ceramic, IEC	S501	216
TD, Ceramic, IEC	S505	215
TD, Ceramic, IEC	S505H	477
TD, Glass, IEC	S506	213 218
FA, Glass, UL	GMA	235
Medium TD, Glass, UL	GMC	233
TD, Glass, UL	GMD	239

FA = Fast-acting, TD = Time-delay

5 mm Fuse accessory reference guide

Fuse Size	PCB Clip	PCB Holder	Panel Mount Holder	In-Line Holder	Block
5 x 15mm	1A3399 (Qty. 2)	-	-	HHT	-
5 x 20mm	1A3399 (Qty. 2)	HTC-45M/-50M	HTB / HTC	HHT	HTC-15M



Technical Application Assistance

Call 636-527-1270

E-mail fusetechn@eaton.com

Data Sheets: www.eaton.com/electronics

Order samples on-line: <https://tools.eatonelectronics.com/request-form>

Eaton
Electronics Division
 1000 Eaton Boulevard
 Cleveland, OH 44122 United States
www.eaton.com/electronics

© 2017 Eaton
 All Rights Reserved Printed in USA
 Publication No. PA4070
 December 2017

For more information visit:
www.eaton.com/fuses