

**EM3516 Series**  
**EuroMag Terminal Blocks**

Pluggable Block (Mates with EM3526 Series);  
 7.62 Centers

**SPECIFICATIONS**

- Rating:** 16A, 300V
- Center Spacing:** 0.30" (7.62mm)
- Wire Range:** #12-24 AWG
- Housing Material:** UL rated 94V0 Thermoplastic
- Contact Material:** Tin-Plated Brass
- Cage Material:** Brass, Nickel-Plated
- Screw Size:** M3.0 Zinc-Plated Steel
- Operating Temperature:** 105°C (221°F) max., -40°C (-40°F) min.
- Torque Rating:** 4.5 lb-in.
- Construction:** Mold-to-Length
- Agency Information:** File E62622; CE Certified

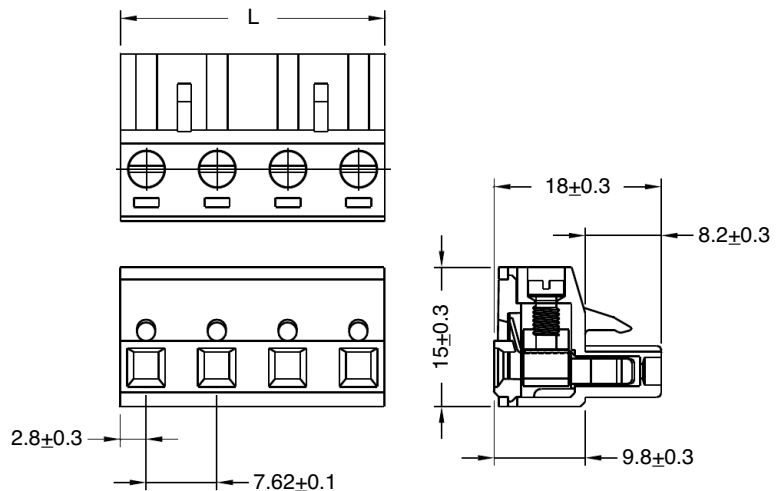


EM351603

Poles	L (mm)
2	8.41
3	12.22
4	16.03
5	19.84
6	23.65
7	27.46
8	31.27
9	35.08
10	38.89
11	42.70
12	46.51

To convert to inches, divide by 25.4

**Dimensions - mm**

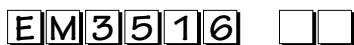


**Part Numbering System**

Series

# of Poles

Mating Header: EM3526 pg. 100



02 to 12

Terminal Blocks:  
Single Row

EuroMag Series  
Plug & Header

Edge Connectors,  
One-Sided Boards

Compliance  
References