

1/4" (6 mm x 32 mm) Ferrule fuse carries a variety of time-current performance characteristics



Eaton's Bussmann® Series of 1/4" fuses include a complete line of both fast-acting and time-delay options, in both low-breaking glass, and high-breaking ceramic constructions.

Extensive offering

Eaton's 1/4" fuses carry the UL/CSA approvals across the entire amperage range, including the higher 20-30 A products. The higher wattage requirements of today's end products mean these higher amperage fuses are specified more and more.

Fuse accessories

Eaton offers a full line of fuse accessories such as clips, holders, and blocks, which can complete any 1/4" fuse application need.

RoHS compliant

The 1/4" fuses from Eaton are available in a RoHS compliant

product option, by adding a "-R" suffix to the base part number.

Packaging options

Eaton offers a variety of packaging options to meet your production needs. These range from the 5 pack tins to 100 or 1000 pack boxes. When Axial Leads (-V) are specified for Thru-Hole mounting, a Tape and Reel (TR2) packaging option is also available.

Application note

Power supplies play a critical role in the operation of virtually all industrial and consumer electronic devices. These power supplies convert high voltage ac electricity from the wall outlet to the low voltage dc power used to power today's electronic products. Thus, they require primary circuit protection, as the device can be exposed to dangerous overcurrent events.

The 1/4" (6x32mm) fuses are used in a variety of power supply applications geared towards both the industrial and consumer electronic devices. The ceramic bodied fuse series (ABC/MDA/GBB) are designed specifically for the higher power applications. They are often specified for use in Uninterruptible Power Supplies (UPS), and for both server and telecom power.

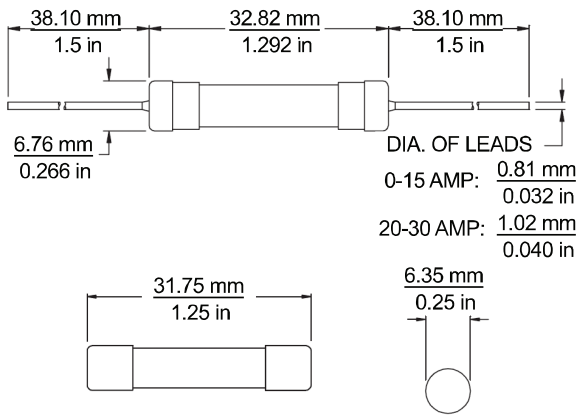
When coupled with one of Eaton's extensive fuse accessory product offerings, these fuses can be conveniently inserted into a circuit while allowing for end-user replacement if desired.

Applications

- White goods
- Medical equipment
- Lighting ballasts
- Meters/readers
- UPS/server
- Telecom
- Switch Mode Power Supply (SMPS)

EATON
Powering Business Worldwide

Dimensions - mm/inches



1/4" Fuse accessory reference guide:

Size	PC Board Fuse Clip (Qty. 2)	PC Board Mount Holder	Panel Mount Holder	In-Line Fuse Holder	Fuseblock
1/4" x 1-1/4"	1A1907	HBH-I / HBV-I	HTB / HKP	HRK / HHB / HFA	S-8000

1/4" Fuse family detail and quick cross reference:

Style	Eaton	Littelfuse
FA Glass	AGC	312
FA Ceramic	ABC	314
Very FA Ceramic	GBB	322
TD Glass	MDL	313
TD Ceramic	MDA	326
FA Glass w/ Leads	AGC-V	318
FA Ceramic w/ Leads	ABC-V	324
TD Glass w/ Leads	MDL-V	315
TD Ceramic w/ Leads	MDA-V	325



FA = Fast Acting
TD = Time Delay

Technical Application Assistance

Call 636-527-1270

E-mail fusetech@eaton.com

Data Sheets: www.eaton.com/electronics

Order samples on-line: <https://tools.eatonelectronics.com/request-form>

Eaton
Electronics Division
1000 Eaton Boulevard
Cleveland, OH 44122 United States
www.eaton.com/electronics

© 2017 Eaton
All Rights Reserved Printed in USA
Publication No. B-SS 1/4" fuse
December 2017

For more information visit:
www.eaton.com/fuses