

Time-delay Chip™ fuse provides superior protection against inrush currents



3216TD family

Eaton's Bussmann® Series 3216TD family offers the highest I²T rating in its class, the 3216TD family is Available up to 12 Amps

Superior inrush withstand performance

The 3216TD provides top notch protection against nuisance openings. This fuse is perfect for applications in which inrush currents are a consideration.

Extensive offering

The 3216TD is available from 6.3 A to 12 A, making it one of the highest amperage time-delay offerings in a 1206 package. For fast-acting performance, the 3216FF is also available up to 20 A.

Wire-in-air construction

The true wire-in-air design makes the 3216TD a high quality time-delay fuse with class leading performance.

Low resistance

Benefits of the low resistance 3216TD include reduced power consumption and improved efficiency.

Space savings

The compact SMD Chip™ fuse offers a significant space savings over other SMD devices with similar performance.

Applications

- LCD TV (Backlight Inverters)
- HDTV TV
- Power Supplies
- Telecom
- Computers

EATON

Powering Business Worldwide

Catalog Symbol: 3216TD6.3-R thru 3216TD12-R

Technology: Wire-in-air Chip™ fuse

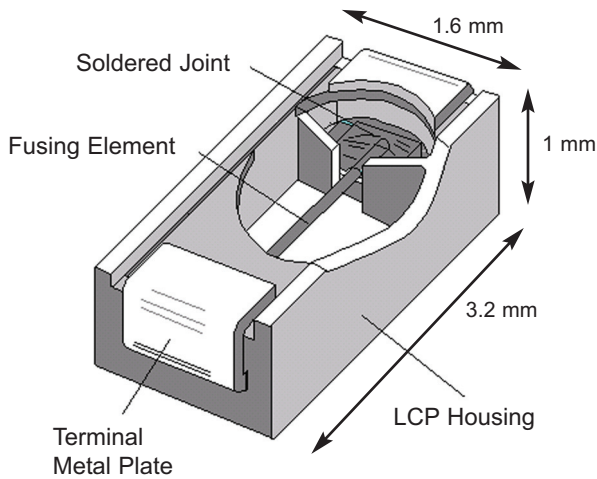
Rated voltage: 32 Vdc/Vac

Interrupting rating: 35 A

Electrical Characteristics:

| % of Amp Rating | Opening Time | |
|-----------------|--------------|-------------|
| | Minimum | Maximum |
| 100 | 4 hour | ---- |
| 200 | 1 second | 120 second |
| 300 | 0.05 second | 3 second |
| 800 | 0.002 second | 0.05 second |

Dimensions and construction- mm



Technical Application Assistance

Call 636-527-1270

E-mail fusetech@eaton.com

Data Sheets: www.eaton.com/electronics

Order samples on-line: <https://tools.eatonelectronics.com/request-form>

Eaton
Electronics Division
1000 Eaton Boulevard
Cleveland, OH 44122 United States
www.eaton.com/electronics

© 2017 Eaton
All Rights Reserved Printed in USA
Publication No. B-SS 3216TD
December 2017

Eaton is a registered trademark.
All other trademarks are property of their respective owners.

For more information visit:
www.eaton.com/fuses