



Cutler-Hammer

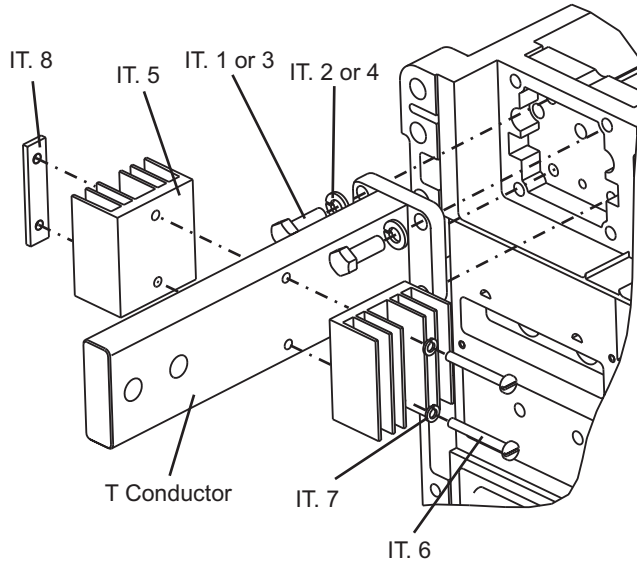
**R Frame Rear Conductor Hardware Kits**  
Style No. - 4225B60G52-G57 (see chart below)  
Quantity - 1 Hardware Kit

**Series C  
Circuit Breaker  
Accessory**

**For R-Frame**

Cutler-Hammer Business  
Pittsburgh, PA.

IC08704001EH01



**R Frame Rear Conductor  
Hardware Kit Quantities**

IT.	Hardware Description	Style No.					
		B2016RD	B2016RDM	B2016RDL	B2016RDLM	B2500RD	B2500RDM
1	Hex Bolt .312-18 x .875	4	4	4			
2	Lockwasher .312	4	4	4			
3	Hex Head Screw M8 x 20 mm		4	4	4		
4	Conical Lockwasher M8		4	4	4		
5	Heat Sink				2	2	
6	Screw 10-32 x 1.625				2	2	
7	Lockwasher 10-32				2	2	
8	Nut Plate				1	1	



Cutler-Hammer

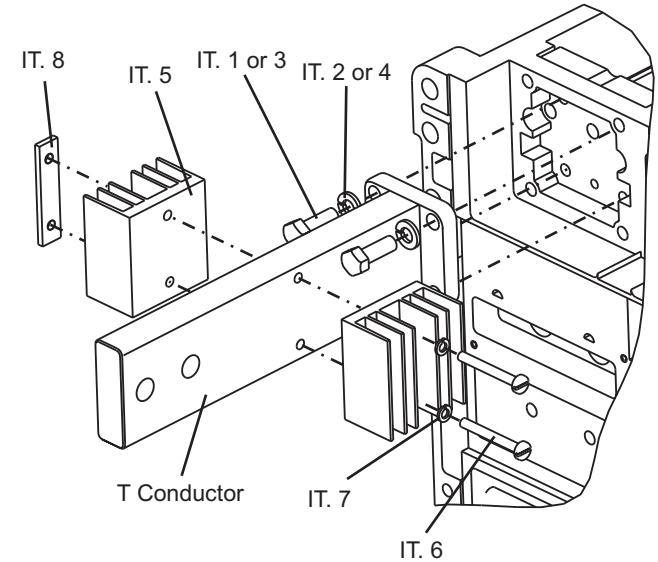
**R Frame Rear Conductor Hardware Kits**  
Style No. - 4225B60G52-G57 (see chart below)  
Quantity - 1 Hardware Kit

**Series C  
Circuit Breaker  
Accessory**

**For R-Frame**

Cutler-Hammer Business  
Pittsburgh, PA.

IC08704001EH01



**R Frame Rear Conductor  
Hardware Kit Quantities**

IT.	Hardware Description	Style No.					
		B2016RD	B2016RDM	B2016RDL	B2016RDLM	B2500RD	B2500RDM
1	Hex Bolt .312-18 x .875	4	4	4			
2	Lockwasher .312	4	4	4			
3	Hex Head Screw M8 x 20 mm		4	4	4		
4	Conical Lockwasher M8		4	4	4		
5	Heat Sink				2	2	
6	Screw 10-32 x 1.625				2	2	
7	Lockwasher 10-32				2	2	
8	Nut Plate				1	1	

ECN # RD-3286 IC08704001EH01