



## Instructions for Padlockable Handle Lock Hasp Installed on Cutler-Hammer R-Frame Series Circuit Breakers and Molded Case Switches

---

**WARNING**

---

**DO NOT ATTEMPT TO INSTALL OR PERFORM MAINTENANCE ON EQUIPMENT WHILE IT IS ENERGIZED. DEATH, SEVERE PERSONAL INJURY, OR SUBSTANTIAL PROPERTY DAMAGE CAN RESULT FROM CONTACT WITH ENERGIZED EQUIPMENT. ALWAYS VERIFY THAT NO VOLTAGE IS PRESENT BEFORE PROCEEDING WITH THE TASK, AND ALWAYS FOLLOW GENERALLY ACCEPTED SAFETY PROCEDURES.**

**CUTLER-HAMMER IS NOT LIABLE FOR THE MISAPPLICATION OR MISINSTALLATION OF ITS PRODUCTS.**

The user is cautioned to observe all recommendations, warnings, and cautions relating to the safety of personnel and equipment as well as all general and local health and safety laws, codes, and procedures.

The recommendations and information contained herein are based on Cutler-Hammer experience and judgement, but should not be considered to be all-inclusive or covering every application or circumstance which may arise. If any questions arise, contact Cutler Hammer for further information or instructions.

### GENERAL INFORMATION

The padlockable handle lock hasp (Figs. 1-1 and 1-2) is used to externally lock the circuit breaker handle. Safety is ensured since the trip-free circuit breaker mechanism is capable of tripping when the handle is locked in the on position. The lock hasp is Underwriters Laboratories listed under File E7819.

The lock hasp consists of a mounting plate, lockplate, retaining bracket and retaining pin. The retaining bracket and retaining pin assembly is used to secure the lock plate to the cover while turning the breaker ON or OFF.

When the lock plate is positioned to block the circuit breaker handle it may be secured by placing one or more padlock shackles through the hasp on the mounting plate. The lock hasp is designed to accept a maximum of three padlock shackles, each with a maximum diameter of 5/16 inch.

Two versions of the lock hasp are available: One permits the circuit breaker handle to be locked in both the on and off positions. The second permits the circuit breaker handle to be locked in the off position only.

Cat. No.	Function
HLK6	Lock ON/OFF
HLK60FF	Lock OFF

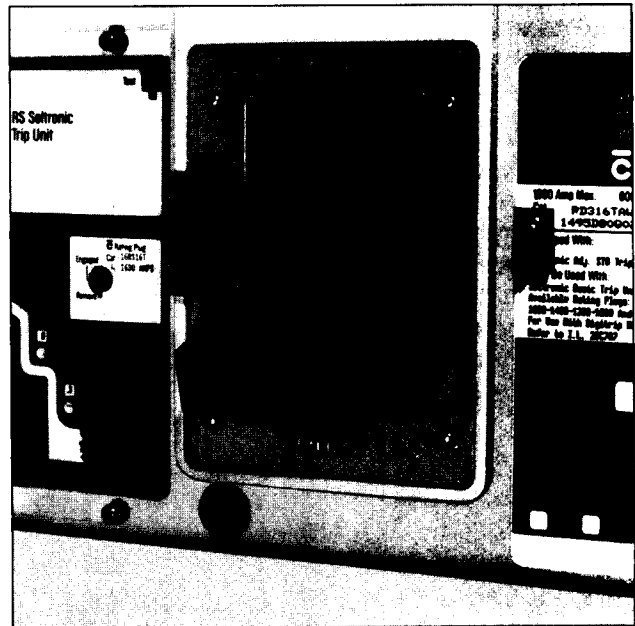
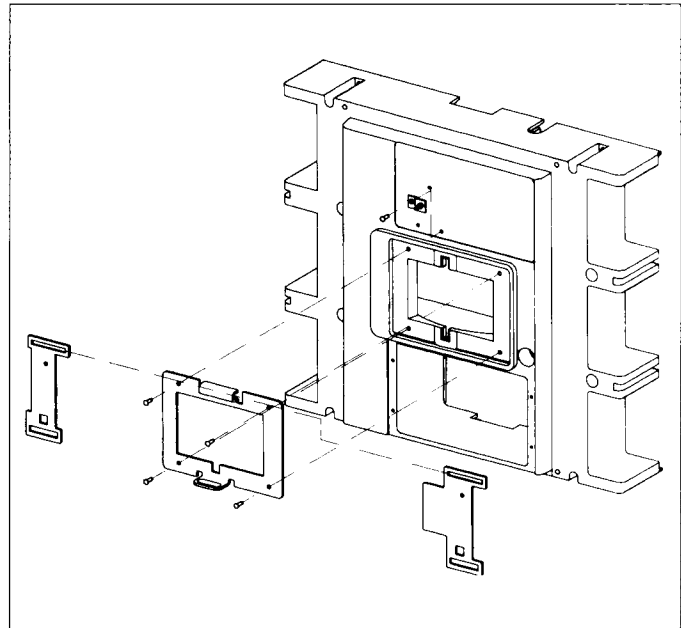


Fig. 1-1 Type HLK6 Padlockable Handle Lock Hasp Mounted on a Series C R-Frame Circuit Breaker

*(4) .155 X .3 DEEP ARE MOLDED INTO BREAKER COVER ON BREAKERS BUILT AFTER JAN 1998. DRIVE SCREWS ARE NOW LARGER.*

**INSTALLATION**

1. Screw the assembly on the cover with the hi-lo screw. The screw goes through the Nameplate just below the word "style".
2. Hook the lock off (or on/off) plate onto the hasp mounting plate and check the orientation by closing the lock plate on the mounting plate.
3. Sit both pieces on the cover and align the holes. (The on and off stamped on the hasp mounting plate should match the on and off molded into the cover.)
4. Using a hammer and set punch, drive the four drive screws through the mounting plate and into the cover.
5. Check that the mounting plate is tight and the lock plate rotates freely and snaps onto the retainer.



*Fig. 1-2 Padlockable Handle Lock Hasp Mounting Assembly on a Series R-Frame Circuit Breaker*

**Cutler-Hammer**

Five Parkway Center  
Pittsburgh, PA 15220