

Installation Instruction for Rotary Handle Mechanism for Cutler-Hammer N-frame Circuit Breakers

⚠ WARNING

DO NOT ATTEMPT TO INSTALL OR PERFORM MAINTENANCE ON EQUIPMENT WHILE IT IS ENERGIZED. DEATH OR SEVERE PERSONAL INJURY CAN RESULT FROM CONTACT WITH ENERGIZED EQUIPMENT. ALWAYS VERIFY THAT NO VOLTAGE IS PRESENT BEFORE PROCEEDING.

THE CUTLER-HAMMER IS NOT LIABLE FOR THE MISAPPLICATION OR MISINSTALLATION OF ITS PRODUCTS.

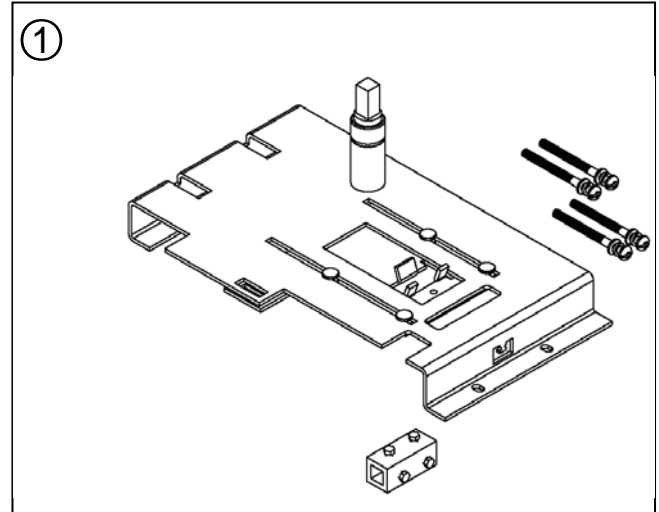
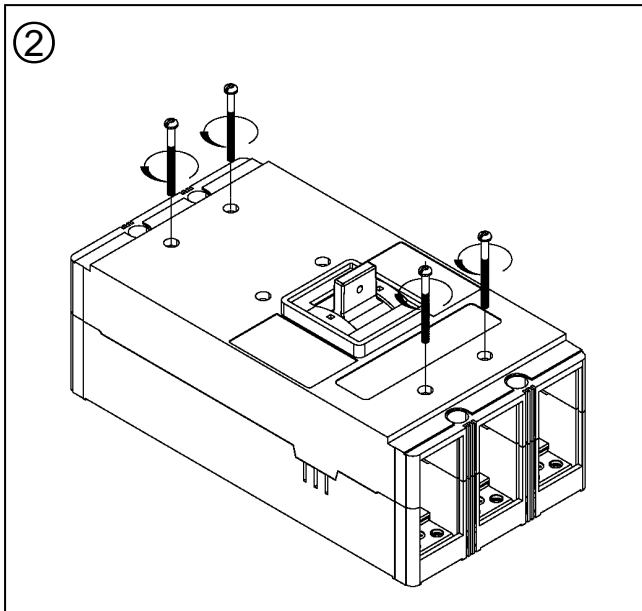
1. GENERAL INFORMATION

Cutler-Hammer Rotary handle mechanism (Fig.1) is suitable for fabricated enclosures. It is designed for use with N-frame circuit breakers.

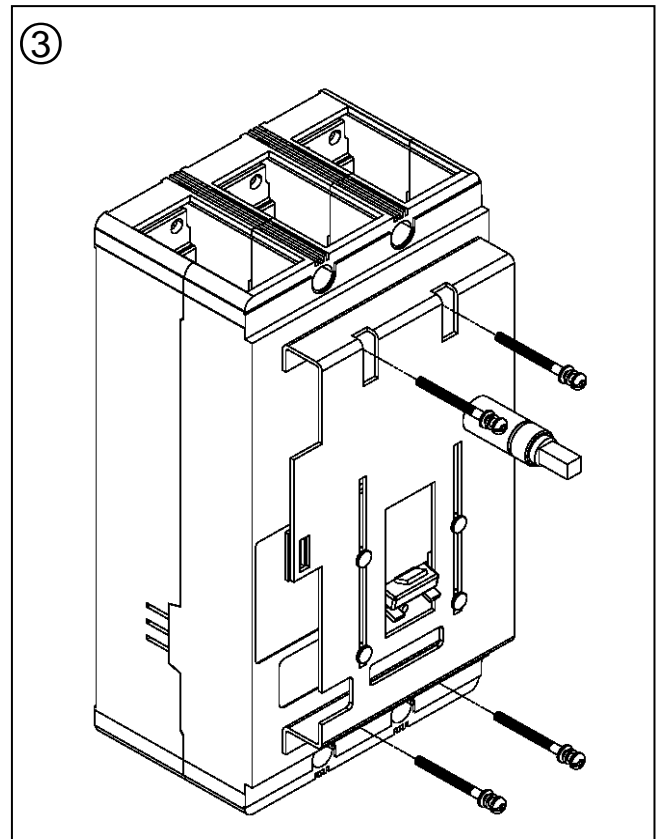
2. INSTALLATION

Note: Replace the existing cover fastening screws with package supplied when mounting the rotary handle mechanism.

2.1 Turn circuit breaker to "OFF" position. Remove 4 cover fastening screws (1/4-20 x 82) from circuit breaker (Fig.2).



2.2 As shown in Fig. 3, mounting mechanism onto circuit breaker, ensuring side plate is engaged with the circuit breaker handle. Fix mechanism with washers, lockwashers and screws (1/4-20 x 92) by package supplied. Torque to 5 N.m (44.25 lb-in).



2.3 Coupling both the square shaft and operation shaft of mechanism by adapter. Fix drive coupling to square shaft with screws (see Fig.4).

2.4 Refer to drilling plan (Fig.5). Drill holes and cut enclosure door cover to accept operation handle.

