

Instructions for Rotary Drive Close Coupled Handle Mechanism (Base for Variable Depth) for Use with N-Frame Series C Circuit Breakers

1 GENERAL INFORMATION



WARNING

HAZARDOUS VOLTAGES ARE PRESENT ON SPECIFIC PARTS IN THIS ELECTRICAL DEVICE DURING OPERATION. ONLY QUALIFIED PERSONNEL, PAYING ATTENTION TO THE RELEVANT SAFETY PRECAUTIONS, SHOULD INSTALL, MAINTAIN, MODIFY OR FIT ACCESSORIES TO THE CIRCUIT-BREAKERS.

BEFORE MOUNTING THE ROTARY DRIVE MECHANISM, THE CIRCUIT BREAKER MUST BE SET TO THE "OFF" POSITION.

TO FIX THE ROTARY DRIVE MECHANISM IN PLACE USE ONLY THE SCREWS SUPPLIED AND ENSURE THAT ALL CONDUCTORS, CONNECTION PIECES AND TERMINALS ARE VOLTAGE-FREE. NON-OBSERVANCE OF THIS WARNING CAN RESULT IN DEATH, SEVERE PERSONAL INJURY OF SUBSTANTIAL PROPERTY DAMAGE.

Before mounting the rotary drive mechanism, transfer the mechanical data from the rating plate of the breaker to the substitute rating plate supplied, and stick it onto another visible surface.

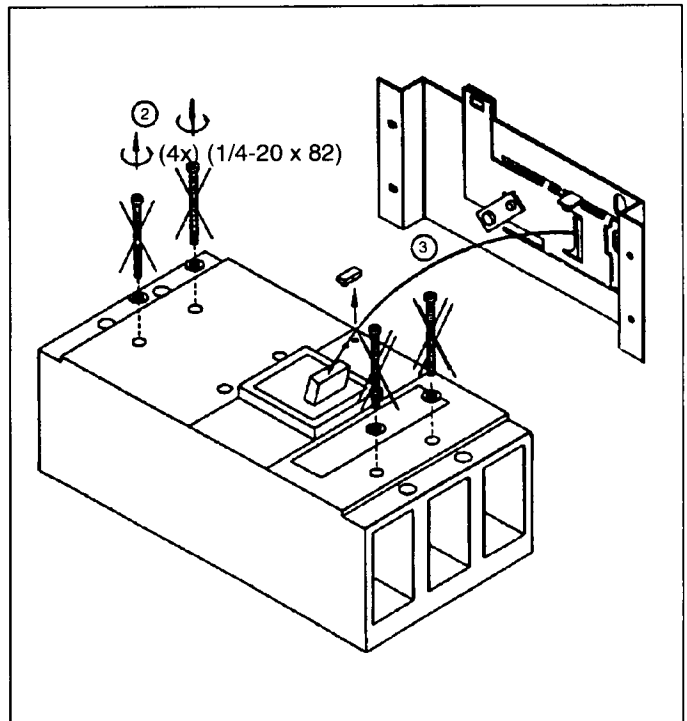
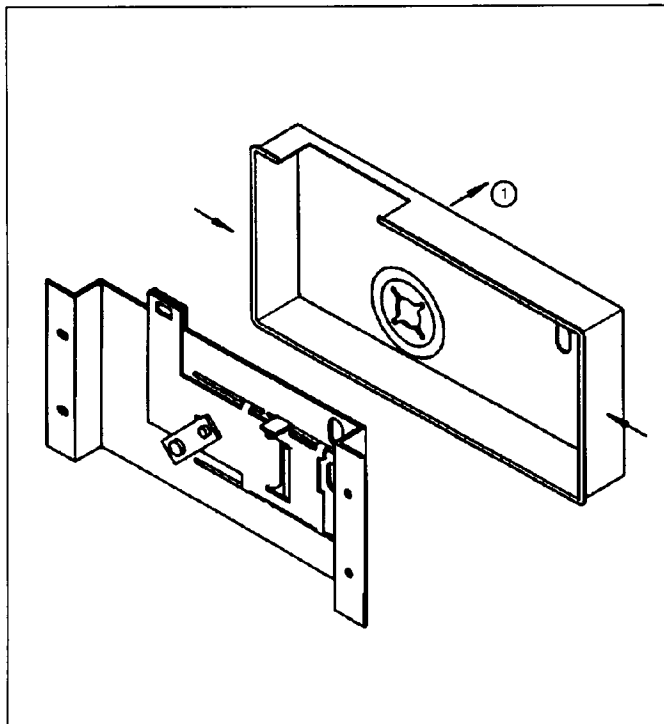
Note: Replace the existing cover fastening screws according to Table 1 when mounting the rotary drive.

Table 1 Fastening Screws

Existing cover fastening screws	Replace with
l = 77mm (3.03in.)	l = 96mm (3.78in.)
l = 44mm (1.73in.)	l = 64mm (2.52in.)

2 INSTALLATION

Refer to the appropriate Figures and complete the outlined steps. The steps to be completed refer to specific reference numbers on a particular figure to simplify the identification.

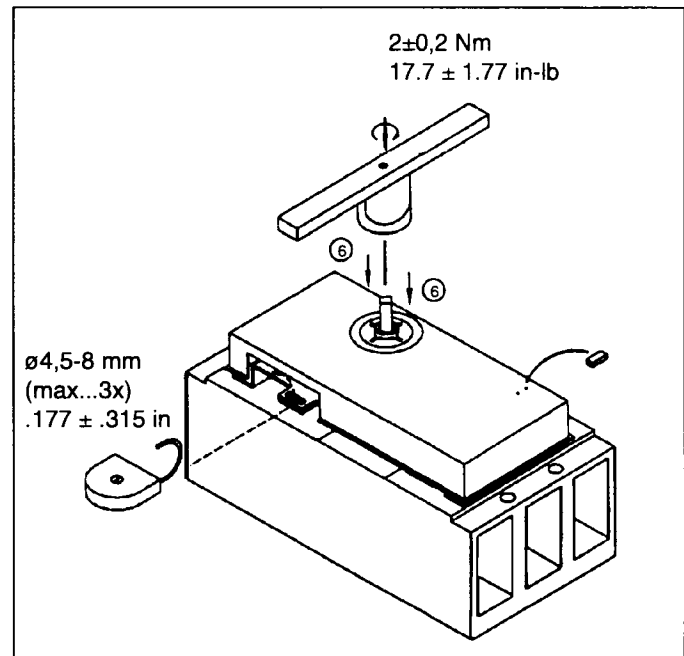
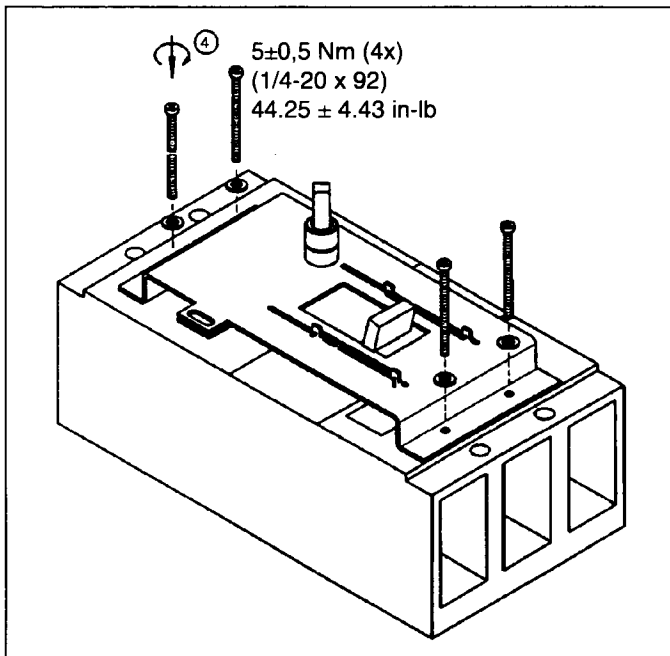


2.1 Front Rotary Drive with Knob

- ①: Remove cap (by pressing it from the side) from front rotary drive.
- ②: Remove 4 cover fastening screws (1/4-20 x 82) from circuit breaker.
- ③: Place front rotary drive on circuit breaker; note position of slide.
- ④: Fix front rotary drive with the four 1/4-20 x92 fastening screws.
- ⑤: Replace cap on front rotary drive such that it audibly clicks into place.
- ⑥: Fix knob to front rotary drive.

2.2 Front Rotary Drive with Door Coupling Mechanism

- ①: Remove 4 cover fastening screws (1/4-20 x 82) from circuit breaker.
- ②: Place front rotary drive on circuit breaker; note position of slide.
- ③: Fix front rotary drive with the four 1/4-20 x 92 fastening screws.



Cutler-Hammer

Five Parkway Center
Pittsburgh, PA 15220

Effective 10/97 (ISI)
Style 6608C34H01
Printed in U.S.A.

EAT•N