



**INTERPHASE BARRIER KIT**

Cat. No. IPB4  
Style No. 4214B16G01  
Quantity - 1

**Circuit Breaker  
Accessory**

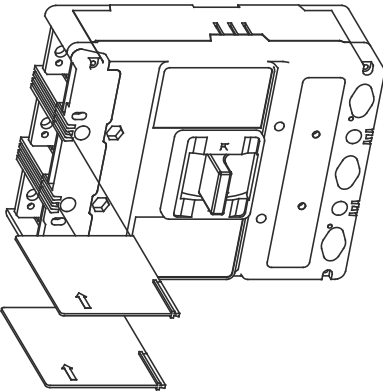
**For L-Frame  
& MDL Frame**

Eaton Corporation  
Pittsburgh, PA.

6633 C97 H07



0 07 86679 25510 0



**Package of 2 Barriers**  
**Barriers May Be Assembled To Either Line End or Load End**  
**Instructions For Assembly**  
**Slide Barriers into Creepage Grooves of Circuit Breaker.**

6633C97H07 - ECO # 074671



**INTERPHASE BARRIER KIT**

Cat. No. IPB4  
Style No. 4214B16G01  
Quantity - 1

**Circuit Breaker  
Accessory**

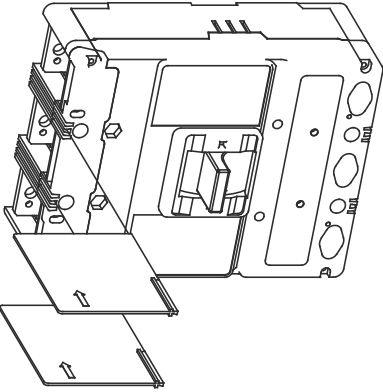
**For L-Frame  
& MDL Frame**

Eaton Corporation  
Pittsburgh, PA.

6633 C97 H07



0 07 86679 25510 0



**Package of 2 Barriers**  
**Barriers May Be Assembled To Either Line End or Load End**  
**Instructions For Assembly**  
**Slide Barriers into Creepage Grooves of Circuit Breaker.**

6633C97H07 - ECO # 074671



**INTERPHASE BARRIER KIT**

Cat. No. IPB4  
Style No. 4214B16G01  
Quantity - 1

**Circuit Breaker  
Accessory**

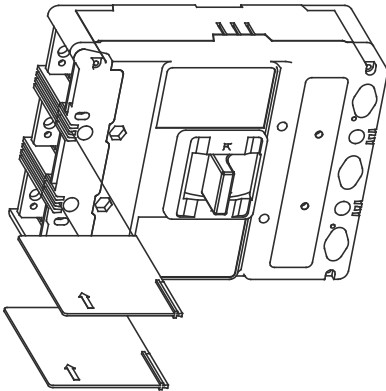
**For L-Frame  
& MDL Frame**

Eaton Corporation  
Pittsburgh, PA.

6633 C97 H07



0 07 86679 25510 0



**Package of 2 Barriers**  
**Barriers May Be Assembled To Either Line End or Load End**  
**Instructions For Assembly**  
**Slide Barriers into Creepage Grooves of Circuit Breaker.**

6633C97H07 - ECO # 074671



**INTERPHASE BARRIER KIT**

Cat. No. IPB4  
Style No. 4214B16G01  
Quantity - 1

**Circuit Breaker  
Accessory**

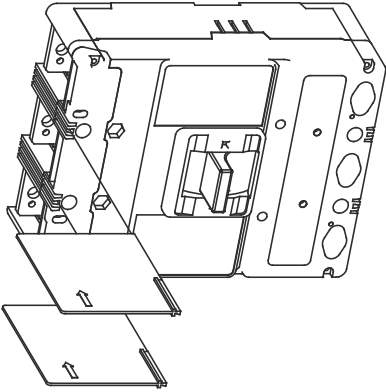
**For L-Frame  
& MDL Frame**

Eaton Corporation  
Pittsburgh, PA.

6633 C97 H07



0 07 86679 25510 0



**Package of 2 Barriers**  
**Barriers May Be Assembled To Either Line End or Load End**  
**Instructions For Assembly**  
**Slide Barriers into Creepage Grooves of Circuit Breaker.**

6633C97H07 - ECO # 074671