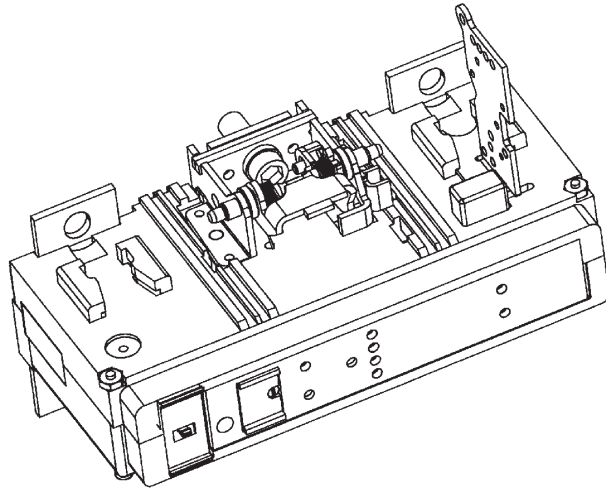


# Installation Instructions for the Digitrip OPTIM 550 3-Pole Trip Unit Installation and Operation with L-Frame Series C Circuit Breakers



## Contents

Description	Page
1.0 General Information.....	2
2.0 UL Listed Devices .....	3
3.0 Installation .....	3
4.0 Principle of Operation .....	6
5.0 Testing .....	7
6.0 Rating Plug .....	8
7.0 References .....	9



*Powering Business Worldwide*

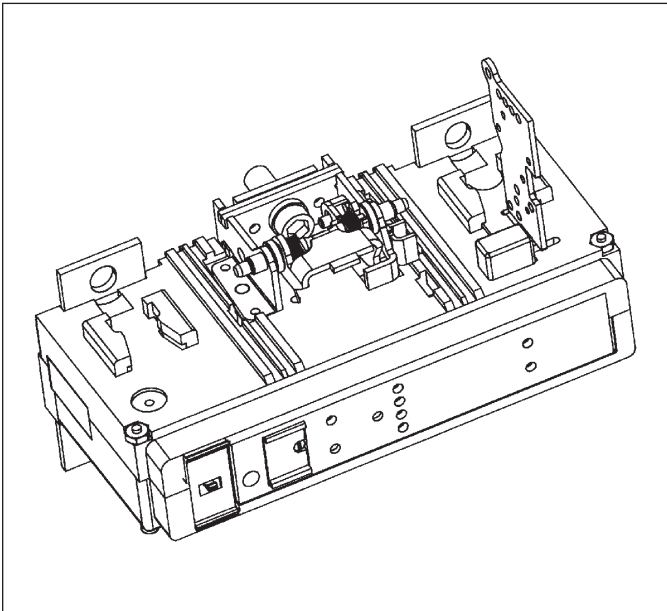


## WARNING

**DEATH, SEVERE PERSONAL INJURY, OR SUBSTANTIAL PROPERTY DAMAGE CAN RESULT FROM CONTACT WITH ENERGIZED EQUIPMENT. DO NOT ATTEMPT TO INSTALL OR PERFORM MAINTENANCE ON EQUIPMENT WHILE IT IS ENERGIZED. ALWAYS VERIFY THAT NO VOLTAGE IS PRESENT BEFORE PROCEEDING WITH THE TASK, ALWAYS FOLLOW GENERALLY ACCEPTED SAFETY PROCEDURES.**

**EATON NOT LIABLE FOR THE MISAPPLICATION OR MISINSTALLATION OF ITS PRODUCTS.**

The user is cautioned to observe all recommendations, warnings, and cautions relating to the safety of personnel and equipment as well as all general and local health and safety laws, codes, and procedures.



*Figure 1-1 Digitrip OPTIM 550 Trip Unit for 3-Pole L-Frame Series C Circuit Breaker.*

The recommendations and information contained herein are based on Eaton experience and judgement, but should not be considered to be all-inclusive or covering every application or circumstance which may arise. If any questions arise, contact Eaton for further information or instructions.

### 1.0 GENERAL INFORMATION

The Digitrip OPTIM 550, illustrated in Figure 1-1, is an electronic trip unit that incorporates a microprocessor-based custom application specific integrated circuit design for use with the Series C L-Frame Molded Case Circuit Breakers.

The Digitrip OPTIM 550 provides true RMS current sensing for proper correlation with thermal characteristics of conductors and equipment. Interchangeable rating plugs are provided to establish the continuous current rating of each circuit breaker.

The Digitrip OPTIM 550 Trip Unit is completely self contained and when the circuit breaker is closed, requires no external power to operate its protection systems. It operates from current signal levels and control power derived through current sensors integrally mounted in the trip unit.

Digitrip OPTIM 550 Trip Units are suitable for 50/60 Hz AC applications only. For DC applications, a thermal-magnetic trip unit should be used.

The Digitrip OPTIM 550 Trip Unit for the L-Frame is available in 3 different types and four different maximum ampere ratings (Table 1.1).

Table 1.1 Digitrip OPTIM 550 Trip Unit Types.

Catalog Number	Max Amps	Version	Description
LEP3125T52	125 A	LSI	Non-ground Fault
LEP3125T56	125 A	LSIG	Ground Fault
LEP3125T57 <sup>①</sup>	125 A	LSIA	Ground Fault Alarm
LEP3250T52	250 A	LSI	Non-ground Fault
LEP3250T56	250 A	LSIG	Ground Fault
LEP3250T57 <sup>①</sup>	250 A	LSIA	Ground Fault Alarm
LEP3400T52	400 A	LSI	Non-ground Fault
LEP3400T56	400 A	LSIG	Ground Fault
LEP3400T57 <sup>①</sup>	400 A	LSIA	Ground Fault Alarm
LEP3600T52	600 A	LSI	Non-ground Fault
LEP3600T56	600 A	LSIG	Ground Fault
LEP3600T57 <sup>①</sup>	600 A	LSIA	Ground Fault Alarm

<sup>①</sup> Ground Fault Alarm trip units do NOT provide ground fault protection.

## 2.0 UL LISTED DEVICES

The Digitrip OPTIM 550 Trip Unit is listed in accordance with Underwriters Laboratories, Inc. Standard UL489, under file E7819 and satisfies the applicable requirements of the International Electrotechnical Commission (IEC) recommendations for molded case circuit breakers.

## 3.0 INSTALLATION

The installation procedure consists of inspecting and installing the trip unit and rating plug. To install the trip unit, perform the following steps.

### NOTICE

If required, internal accessory installation should be done before the circuit breaker is mounted and connected. Refer to the individual accessory instruction leaflets.

Make sure that the trip unit is suitable for the intended installation by comparing nameplate data with any existing equipment and system requirements. Inspect the trip unit for completeness, and check for damage before installing it in the circuit breaker frame.

Remove and SAVE the Jumper plug assembly (a 12 position housing) from the trip unit (see Figure 3-2).

Remove the wire-retaining bracket from the right pole of the trip unit.

### NOTICE

**Trip unit center retaining screw is captive in the trip unit conductor; the remaining retaining screws (2 for a 3-pole trip unit) are supplied with the frame.**

Remove circuit breaker pan-head cover screws, and covers. Remove trip unit outer pole screws and red plastic washers from the frame. Discard red plastic washers (Figure 3-1).

### NOTICE

**The two trip unit outer pole retaining screws may be placed in the trip unit conductor holes at this time. If preferred, a 5/16 in. hexagonal-head wrench may be used to position the screws when the trip unit is in the base.**

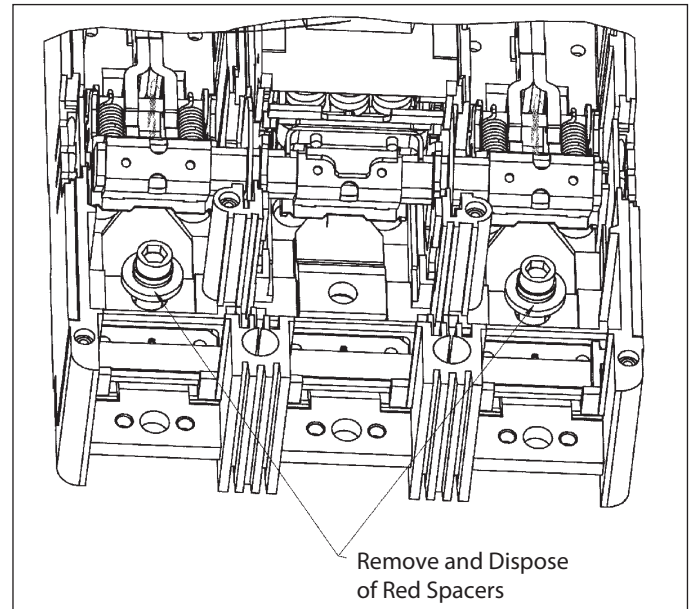


Figure 3-1 Preliminary Preparation.

Position the trip unit in the base. Make sure the latch bracket pin is properly seated in the slots in the sideplates (Figure 3-2). If necessary, move the handle toward the line end of the circuit breaker to seat the trip unit.

Screw in and tighten three trip unit retaining screws (center first). Torque to 12 lb-ft (16.27 Nm). Make sure the holes in the trip unit conductors line up with the tapped holes of the frame load conductors for proper terminal installation.

Install the wire retaining bracket into the right pole trip unit accessory retaining slots. For ground fault or ground fault alarm trip units route the white and gray wires out the frame accessory wiring channels.

Ground fault trip units are supplied from the factory with a wire harness with pigtail lead connections for a neutral current sensor (white and gray wires). A neutral current sensor is provided with each trip unit.

Install the jumper plug assembly into the trip unit (see Figure 3-2) with the keying pin in the bottom right corner. Note: Jumper plug assembly fits in one orientation only.

Digitrip OPTIM 550 Ground Fault Trip Units detect ground fault currents through Residual Sensing. They are not designed to use source ground or zero sequence ground fault sensing methods. If the system neutral is grounded, but no phase to neutral loads are used, the neutral current sensor is not necessary. In that case, the white and gray leads on the trip unit should be cut off before installation.

If the system neutral is grounded and phase to neutral loads are used, then the neutral current sensor must be used (Figure 3-3). It should be connected to the breaker according to the diagram in Figure 3-4. It has the same turns ratio as the phase current sensors in the trip unit.



**CAUTION**

**DO NOT EXCEED A TORQUE OF 12 LB-FT (16.27 NM). EXCESSIVE TORQUING WILL SHEAR SCREWS. FAILURE TO APPLY THE REQUIRED TORQUE MAY LEAD TO EXCESSIVE HEATING AND CAUSE NUISANCE TRIPPING OF THE BREAKER.**

If a standard “L” frame internal accessory is to be installed in the right pole, cut the cable tie on wire-retaining bracket and discard the bracket. Install the attachment according to the individual accessory instruction leaflet, and attach the wires that were attached to the wire-retaining bracket to the attachment mount bracket with a cable tie.

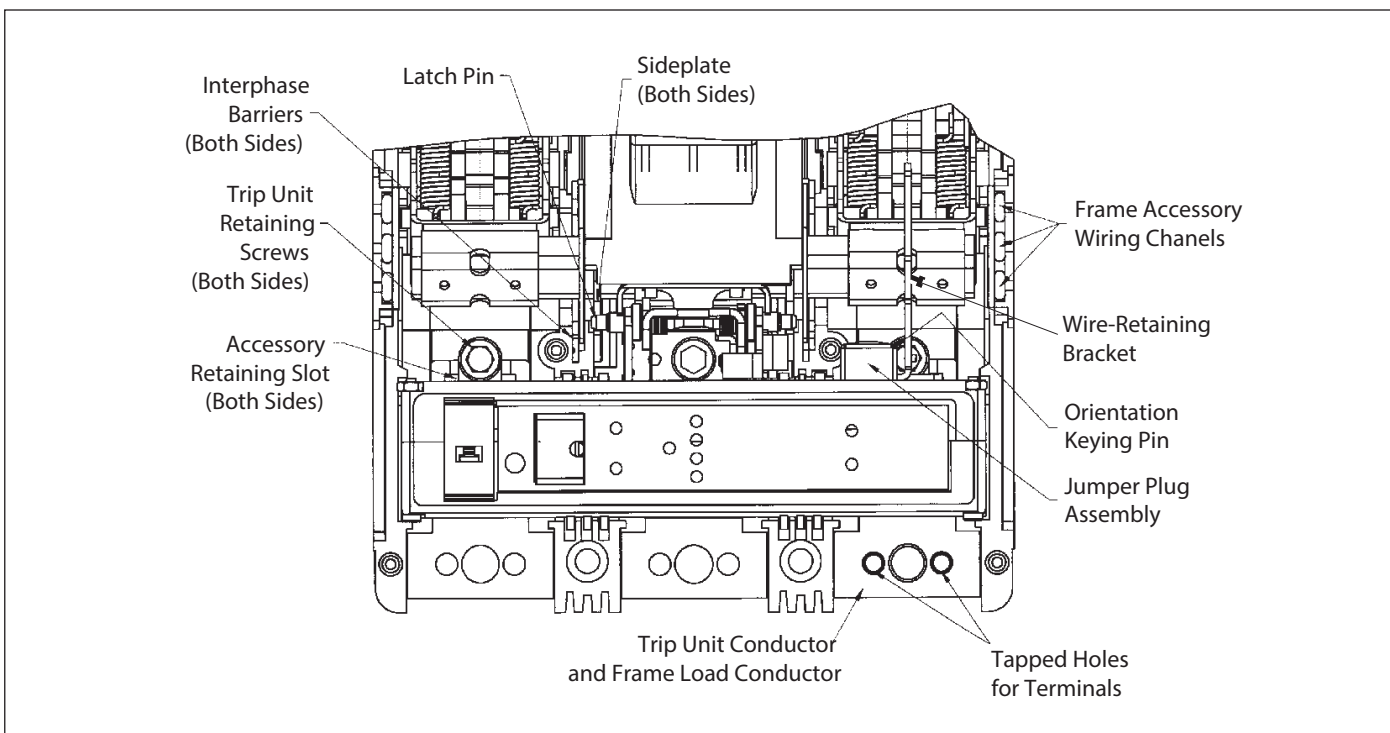


Figure 3-2 Trip Unit Installed in Circuit Breaker.

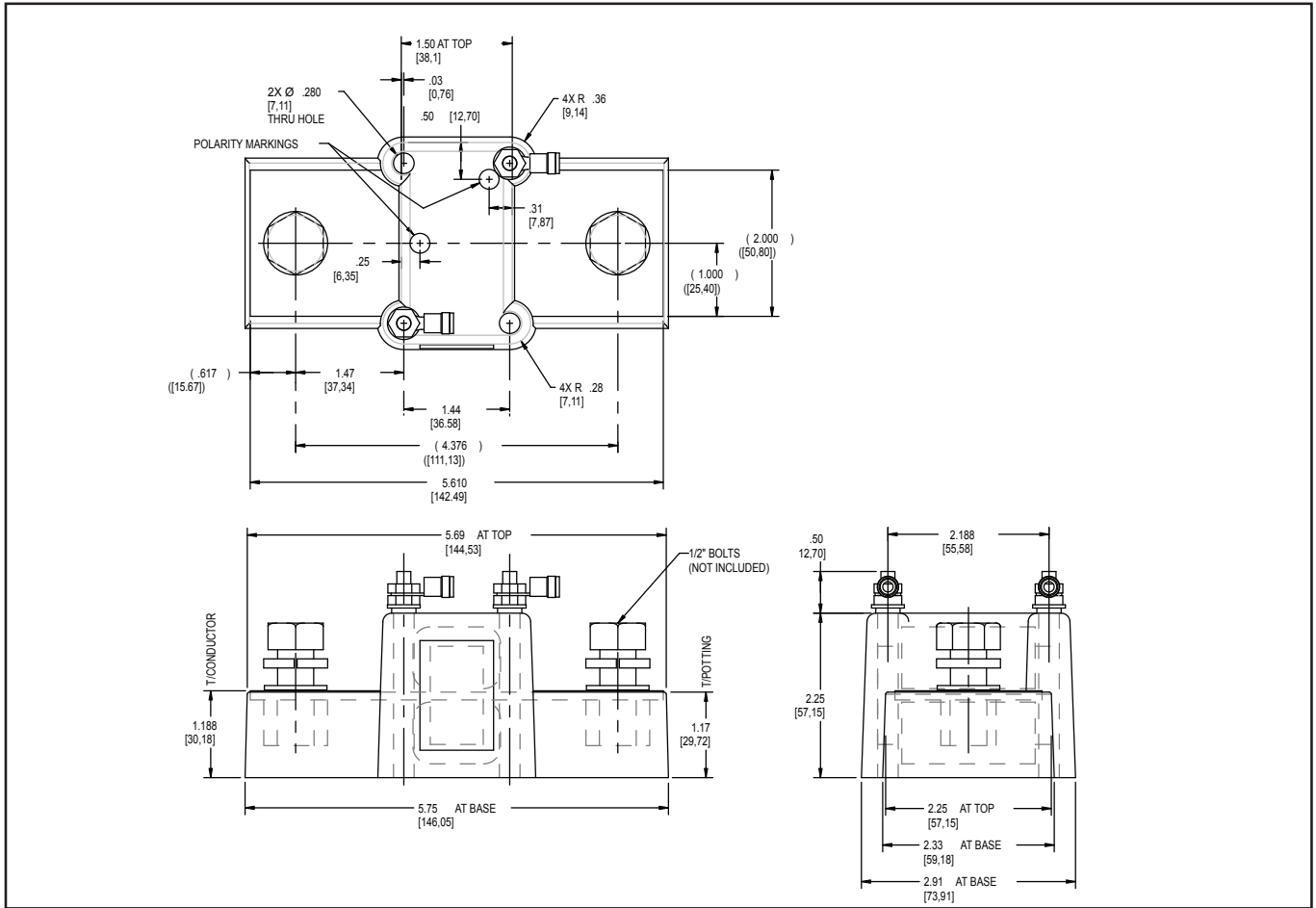


Figure 3-3 Neutral Current Sensor Placement.

**NOTICE**

The polarity of the sensor connections is critical. Always observe the polarity markings on the installation drawings. The polarity markings are identified as white dots on the transformer. To insure correct ground fault equipment performance, conduct field test to comply with National Electric Code requirements under article 230-95-C. See Section 5.2 for instructions.

Install accessory(ies), if required, using appropriate instruction leaflet listed in Section 7.2. Where accessories are not required, install protective barriers supplied with the trip unit in accessory retaining slots of the trip unit.

Table 3.1 Digitrip L-Frame OPTIM Rating Plugs.

Max Amps of trip unit	In	Catalog Number
125 A	63 A	ORPL125A063
125 A	70 A	ORPL125A070
125 A	90 A	ORPL125A090
125 A	100 A	ORPL125A100
125 A	110 A	ORPL125A110
125 A	125 A	ORPL125A125
250 A	125 A	ORPL025A125
250 A	150 A	ORPL025A150
250 A	160 A	ORPL025A160
250 A	175 A	ORPL025A175
250 A	200 A	ORPL025A200
250 A	225 A	ORPL025A225
250 A	250 A	ORPL025A250
400 A	200 A	ORPL40A200
400 A	225 A	ORPL40A225
400 A	250 A	ORPL40A250
400 A	300 A	ORPL40A300
400 A	350 A	ORPL40A350
400 A	400 A	ORPL40A400
600 A	300 A	ORPL60A300
600 A	350 A	ORPL60A350
600 A	400 A	ORPL60A400
600 A	500 A	ORPL60A500
600 A	600 A	ORPL60A600

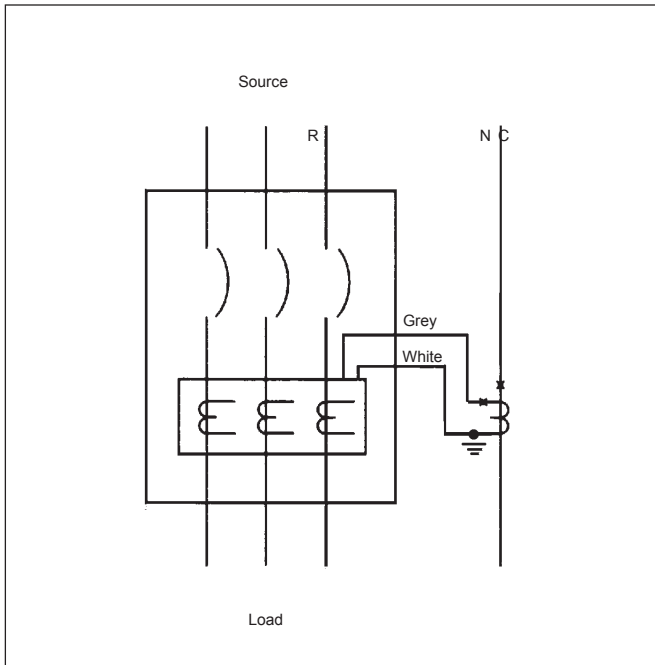


Figure 3-4 Connection Diagram.

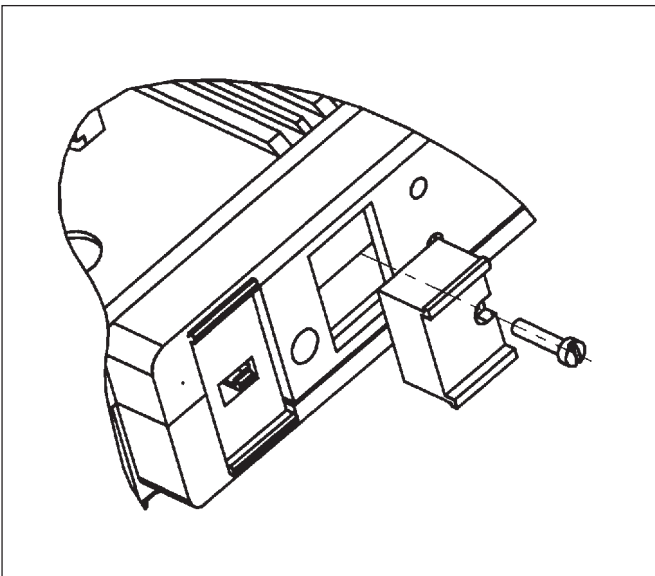


Figure 3-5 Rating Plug Installation.

Make sure interphase barriers are properly seated in the base and sliding handle barrier is properly seated in the cover.

Install circuit breaker covers and pan-head screws.  
L Install the rating plug into the trip unit (Figure 3-5 and Table 3.1). The pins on the circuit board must line up with the sockets in the rating plug and require only minimal pressure to install. Do NOT attempt to force the rating plug into the trip unit.

**NOTICE**

**The pins on the circuit board are specifically cut, and the sockets in the rating plug are specifically filled to prevent an incorrect rating plug from being installed.**

Screw in and tighten the rating plug screw to secure the rating plug.

Reset circuit breaker by moving handle to the reset position. Move handle to the ON position. Circuit breaker handle should remain at the ON position.

Press Push-to-trip button to check the manual tripping of the circuit breaker.

**4.0 PRINCIPLE OF OPERATION**

In open air at 40°C (104°F), a L-Frame circuit breaker with a Digitrip OPTIM 550 Trip Unit installed will carry continuously up to 600 amperes without exceeding a 50°C (122°F) rise at the terminals. The calibration of the trip unit is insensitive to ambient temperatures over a range of -20° to +55°C (-4° to 131°F). However the trip unit contains thermal temperature protection circuitry that initiates a trip operation for self-protection if the internal ambient temperature at the printed circuit board (PCB) reaches approximately 100°C (212°F). This may occur for open air temperatures above 40°C with circuit breaker currents near full load.

For ambient conditions above 40°C and where the maximum ampere rating plug has been installed, derating of the circuit breaker frame should be considered to avoid exceeding a safe terminal temperature operating range. Consult Eaton for recommendations.

**4.1 GENERAL**

The Digitrip OPTIM 550 Trip Unit provides a tripping signal to the flux transfer shunt trip when current and time delay settings are exceeded. This is accomplished by employing the Eaton custom designed integrated circuit Sure™ chip, which includes a microcomputer to perform its numeric and logic functions.

In the Digitrip OPTIM 550 Trip Unit, all required sensing and tripping power to operate its protection function is derived from the current sensors in the circuit breaker. The secondary currents from these sensors provide the correct input information for the protection functions, as well as tripping power, whenever the circuit breaker is carrying current. These current signals develop analog voltages across the appropriate calibrating resistors.

The microcomputer, in cyclic fashion, repeatedly scans the voltage values across each calibrating resistor and enters these values into memory. These data are used to calculate true RMS current values, which are then repeatedly compared with the protection function settings and other operating data stored in the memory. The software program then determines whether to initiate protection functions, including tripping the breaker through the flux transfer shunt trip device in the circuit breaker.

## 4.2 OVERLOAD TRIP

In accordance with standards requirements, the trip unit initiates a trip of the circuit breaker within two hours for an overload of 135 percent, and will trip in less time for higher overload currents.

A "Thermal Memory" effect prevents the breaker from being re-energized immediately after an overload. A "cooling off" period of up to 5 minutes is required, which allows time for cabling to cool off.

For details on the operation and protective functions of the OPTIM 550 Trip unit and other related instructions, contact Eaton for the following information and User's manuals:

L-Frame and Accessories Selection Data	29-120L
Instructions and Overview of OPTIM Trip Units	29C890
Instructions on the Operation of Digitrip OPTIMIZER Hand Held Programmer	29C892
Instructions on the Operation of Digitrip Breaker Interface Module	29C893
Instructions on the Operation of Digitrip OPTIM Trip Units	29C891
Digitrip OPTIM Wire Diagrams	29C894

## 5.0 TESTING

### 5.1 FUNCTIONAL FIELD TESTING

Any field testing should be done in accordance with applicable NEMA Standard. The operation of circuit breakers with Digitrip OPTIM RMS trip units can be field tested periodically using the hand held OPTIMIZER (see user's manuals).

### 5.2 PERFORMANCE TESTING FOR GROUND FAULT TRIP UNITS

#### 5.2.1 CODE REQUIREMENTS

The National Electrical Code under Article 230-95-C requires that any ground-fault protection system be per-

formance tested when first installed. The test shall be conducted in accordance with approved instructions provided with the equipment. A written record of this test shall be made and shall be available to the authority having inspection jurisdiction.

#### 5.2.2 STANDARDS REQUIREMENTS

As a follow-up to the basic performance requirements stipulated by the N.E.C. as stated above, UL Standard No. 1053 requires that certain minimum instructions must accompany each ground fault protection system. These following statements plus a copy of the test record form illustrated in Figure 5-4 are shipped with each Digitrip OPTIM 550 Trip Unit.

#### 5.2.3 GENERAL TEST INSTRUCTIONS

The interconnected system shall be evaluated in accordance with the equipment assembler's detailed instructions by qualified personnel.

The polarity of the neutral sensor connections (if used) must agree with equipment assembler's detailed instructions to avoid improper operations following apparently correct simulated test operations. Where a question exists, consult the specifying engineer and/or equipment assembler.

The grounding points of the system shall be verified to determine that ground paths do not exist that would bypass the sensors. The use of high-voltage testers and resistance bridges may be used.



## WARNING

**THERE IS A HAZARD OF ELECTRICAL SHOCK OR BURN WHENEVER WORKING IN OR AROUND ELECTRICAL EQUIPMENT. ALWAYS TURN OFF POWER SUPPLYING BREAKER BEFORE CONDUCTING TESTS.**

## NOTICE

**Since the Digitrip OPTIM 550 Trip Units derive their operating power from the phase currents, and not from the neutral current, passing current through the neutral sensor only will not properly test the ground fault feature.**

Using a low voltage (0-24 volt), high current, AC source, apply a test current of 125% of the Digitrip OPTIM 550

Ground Fault Trip Unit pick-up setting through one phase of the circuit breaker as shown in Figure 5-1. This should cause the breaker to trip and the ground fault alarm light should light in less than 1 second. Reset the breaker. Repeat the test on the other two phases.

If the system is a 4-wire system with a neutral current sensor, apply the same current as described above through one phase of the breaker returning through the neutral sensor as shown in Figure 5-2. The breaker should not trip and the ground fault alarm light should not light. Repeat the test on the other two phases.

If the system is a 3-wire system with no neutral current sensor, apply the same current as described above through any two phases of the breaker with the connections exactly as shown in Figure 5-3. The breaker should not trip and the ground fault alarm light should not light. Repeat the test using the other two combinations of breaker phases.



**CAUTION**

**FIELD TESTING SHOULD BE USED FOR FUNCTIONAL TESTING AND NOT FIELD CALIBRATION OF THE DIGITRIP OPTIM 550 GROUND FAULT TRIP UNIT.**

**ANY TEMPORARY CONNECTION MADE FOR THE PURPOSE OF CONDUCTING TESTS SHOULD BE RESTORED TO PROPER OPERATING CONDITIONS BEFORE RETURNING THE BREAKER TO SERVICE.**

The results of the test are to be recorded on the test form provided with the equipment.

**6.0 RATING PLUG**

The rating plug, as illustrated in Figure 3-5, is used to establish the continuous ampere rating of the related circuit breaker.

The Long Delay protection function of the trip unit is set at the rating plug value ( $I_n$ ). The Short Delay and Instantaneous protection functions are set as a multiple of  $I_n$ . The Ground Fault protection function is independent of  $I_n$ .

Different rating plugs are available to match the desired current rating and type of circuit breaker into which the trip unit is to be installed (Table 3.1).

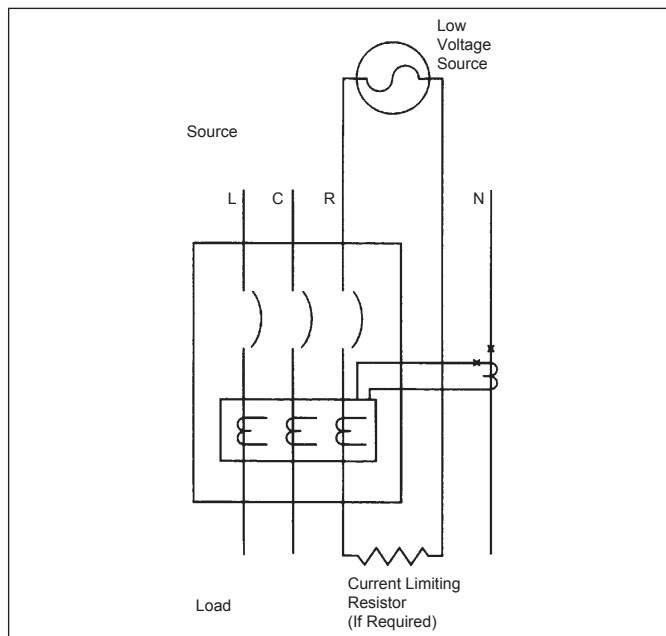


Figure 5-1 Connections for Ground Fault Trip Test.

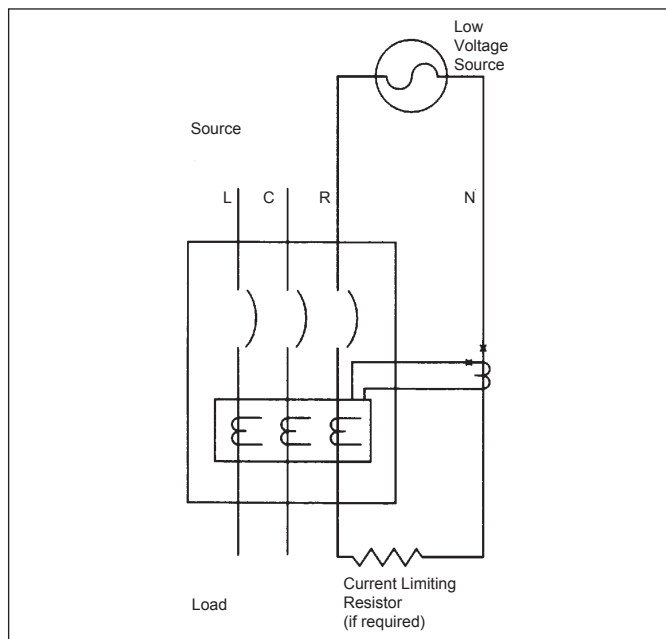


Figure 5-2 Connections for Ground Fault No-Trip Test, with a Four-Wire System.





**GROUND FAULT TEST RECORD FORM**

Ground Fault Test Record Should Be Retained by Those in Charge of the Building's Electrical Installation in Order to Be Available to the Authority Having Jurisdiction.

Test Date	Circuit Breaker Number	Results	Tested By:

Figure 5-4 Typical Performance Test Record Form.

Installation Instructions for the Digitrip OPTIM 550  
3-Pole Trip Unit Installation and Operation with  
L-Frame Series C Circuit Breakers

Instruction Leaflet IL29C508D  
Effective January 2013

Notes:

The instructions for installation, testing, maintenance, or repair herein are provided for the use of the product in general commercial applications and may not be appropriate for use in nuclear applications. Additional instructions may be available upon specific request to replace, amend, or supplement these instructions to qualify them for use with the product in safety-related applications in a nuclear facility.

This Instruction Booklet is published solely for information purposes and should not be considered all-inclusive. If further information is required, you should consult an authorized Eaton sales representative.

The sale of the product shown in this literature is subject to the terms and conditions outlined in appropriate Eaton selling policies or other contractual agreement between the parties. This literature is not intended to and does not enlarge or add to any such contract. The sole source governing the rights and remedies of any purchaser of this equipment is the contract between the purchaser and Eaton.

NO WARRANTIES, EXPRESSED OR IMPLIED, INCLUDING WARRANTIES OF FITNESS FOR A PARTICULAR PURPOSE OR MERCHANTABILITY, OR WARRANTIES ARISING FROM COURSE OF DEALING OR USAGE OF TRADE, ARE MADE REGARDING THE INFORMATION, RECOMMENDATIONS, AND DESCRIPTIONS CONTAINED HEREIN.

In no event will Eaton be responsible to the purchaser or user in contract, in tort (including negligence), strict liability or otherwise for any special, indirect, incidental or consequential damage or loss whatsoever, including but not limited to damage or loss of use of equipment, plant or power system, cost of capital, loss of power, additional expenses in the use of existing power facilities, or claims against the purchaser or user by its customers resulting from the use of the information, recommendations and description contained herein.

Eaton Corporation  
Electrical Sector  
1111 Superior Ave.  
Cleveland, OH 44114  
United States  
877-ETN-CARE (877-386-2273)  
Eaton.com

© 2013 Eaton Corporation  
All Rights Reserved  
Printed in USA  
Publication No. IL29C508D /TBG0 00785  
Part No. 6603C85H04  
January 2013