



Instructions for Vertical Padlockable Handle Lock Hasp Installation on Cutler-Hammer L-Frame, MDL-Frame and N-Frame Series C Circuit Breakers and Molded Case Switches



WARNING

DO NOT ATTEMPT TO INSTALL OR PERFORM MAINTENANCE ON EQUIPMENT WHILE IT IS ENERGIZED. DEATH, SEVERE PERSONAL INJURY, OR SUBSTANTIAL PROPERTY DAMAGE CAN RESULT FROM CONTACT WITH ENERGIZED EQUIPMENT. ALWAYS VERIFY THAT NO VOLTAGE IS PRESENT BEFORE PROCEEDING WITH THE TASK, AND ALWAYS FOLLOW GENERALLY ACCEPTED SAFETY PROCEDURES.

CUTLER-HAMMER IS NOT LIABLE FOR THE MISAPPLICATION OR MISINSTALLATION OF ITS PRODUCTS.

The user is cautioned to observe all recommendations, warnings, and cautions relating to the safety of personnel and equipment as well as all general and local health and safety laws, codes, and procedures.

The recommendations and information contained herein are based on Cutler-Hammer experience and judgment, but should not be considered to be all-inclusive or covering every application or circumstance which may arise. If any questions arise, contact Cutler-Hammer for further information or instructions.

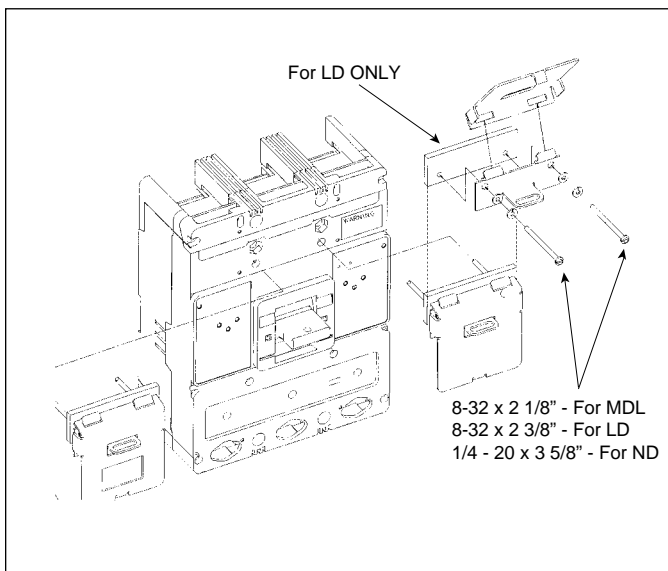


Figure 2-1 Padlockable Handle Lock Installation

1. INTRODUCTION

General Information

The padlockable handle lock hasp (Fig. 2-1) is used to externally lock the circuit breaker handle in either the ON or OFF position or in the OFF only position depending upon the style being used. The on-off style hasp has a slot for the circuit breaker handle. Safety is ensured since trip-free operation lets the circuit breaker trip when the handle is locked in the ON position. The hasp is mounted on the circuit breaker cover above the handle. The hasp take up to three padlock shackles, each with a maximum diameter of 5/16 inch (8mm).

The padlockable handle lock hasp has been evaluated by Underwriters Laboratories, Inc. as an unlisted component for use with these circuit breakers and molded case switches. It consists of a mounting plate connected by a hinge to a lockplate. The mounting plate includes the padlock staple. When the mounting plate is attached to the circuit breaker cover, the lockplate hinges over the mounting plate and staple. The lockplate prevents the circuit breaker handle from moving.

This instruction leaflet (IL) gives detailed procedures for installing the padlockable handle lock hasp.

1. INSTALLATION

The padlockable handle lock hasp is mounted above the handle of a 2-, 3-, and 4-pole circuit breaker. A padlockable handle lock hasp should normally be mounted on the circuit breaker cover before the circuit breaker is installed in an electrical system. To mount the padlockable handle lock hasp, perform the following steps.



WARNING

BEFORE MOUNTING THE PADLOCKABLE HANDLE LOCK HASP ON A CIRCUIT BREAKER INSTALLED IN AN ELECTRICAL SYSTEM, MAKE SURE THE CIRCUIT BREAKER IS SWITCHED TO THE OFF POSITION AND THAT THERE IS NO VOLTAGE PRESENT WHERE WORK IS TO BE PERFORMED.

SPECIAL ATTENTION SHOULD BE PAID TO REVERSE FEED APPLICATIONS TO ENSURE NO VOLTAGE IS PRESENT. THE VOLTAGES IN ENERGIZED EQUIPMENT CAN CAUSE DEATH OR SEVERE PERSONAL INJURY.

Note: When the padlockable handle lock hasp is mounted on the circuit breaker cover, a warning label is covered. A duplicate label is supplied with the mounting hardware. After the hasp lock has been mounted, the warning label must be placed on the breaker cover. (See Fig. 2-1).

The following steps describe how to mount the padlockable handle lock hasp to the circuit breaker.

Note: It is recommended that when installing the padlockable handle lock to the breaker the line and load end covers be in place. This will not permit the main cover from being removed during installation.

- 2-1. Remove and discard the two cover mounting screws above the handle. (See Fig. 2-1.)
- 2-2. Place spacer on cover and align holes with cover mounting screw holes. (See Fig. 2-1.. **Note:** LD only.
- 2-3. Position hasp base with hinges toward line end of breaker over spacer and align holes. (See Fig. 2-1.)
- 2-4. Position long screws with flat washers and lock washers through hasp base, spacer (LD only) and into cover mounting holes and start threads, but do not tighten. (See Fig. 2-1.)

- 2-5. Position hasp latch to hasp base. Hasp plate hinge slots must be under base plate hinges (See Fig. 2-1.)



CAUTION

FIRMLY TIGHTEN, BUT DO NOT OVERTIGHTEN, MOUNTING PLATE SCREWS. OVERTIGHTENING SCREWS CAN DAMAGE THE CIRCUIT BREAKER COVER. USE ONLY HARDWARE PROVIDED, DO NOT SUBSTITUTE.

- 2-6. Tighten mounting plate screws. Torque screws to 22 lb-in. (2.5 N.m.). Do not substitute hardware.

Note: Lockplate Retaining Feature - when the lockplate is hinged away from the mounting plate it can be retained in that position by sliding the lockplate to the right. (See Fig. 2-1)

- 2-7. Move circuit breaker handle to the OFF position. Hinge lockplate over staple. Check that padlock shackle fits through staple and that hasp latch blocks path of circuit breaker handle.
- 2-8. Remove padlock. Hinge lockplate away from circuit breaker handle. Move circuit breaker handle to the ON position. Hinge lockplate over staple and check that hasp latch blocks path of circuit breaker handle. Lock on-off only.

Cutler-Hammer

Moon Township, Pennsylvania U.S.A.