



Instructions for Horizontal Padlockable Handle Lock Hasp Installation on Cutler-Hammer L-Frame and N-Frame Series C Circuit Breakers and Molded Case Switches



WARNING

DO NOT ATTEMPT TO INSTALL OR PERFORM MAINTENANCE ON EQUIPMENT WHILE IT IS ENERGIZED. DEATH, SEVERE PERSONAL INJURY, OR SUBSTANTIAL PROPERTY DAMAGE CAN RESULT FROM CONTACT WITH ENERGIZED EQUIPMENT. ALWAYS VERIFY THAT NO VOLTAGE IS PRESENT BEFORE PROCEEDING WITH THE TASK, AND ALWAYS FOLLOW GENERALLY ACCEPTED SAFETY PROCEDURES.

CUTLER-HAMMER IS NOT LIABLE FOR THE MISAPPLICATION OR MISINSTALLATION OF ITS PRODUCTS.

The user is cautioned to observe all recommendations, warnings, and cautions relating to the safety of personnel and equipment as well as all general and local health and safety laws, codes, and procedures.

The recommendations and information contained herein are based on Cutler-Hammer experience and judgment, but should not be considered to be all-inclusive or covering every application or circumstance which may arise. If any questions arise, contact Cutler-Hammer for further information or instructions.

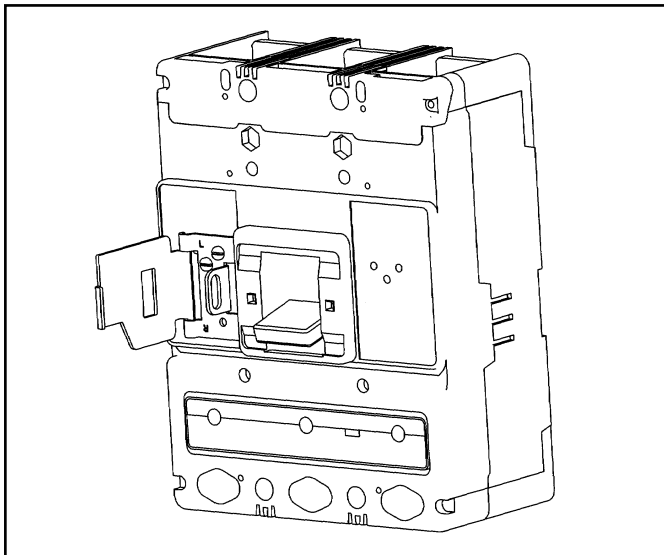


Figure 1-1 Padlockable Handle Lock Hasp Installed on L-Frame Series C Circuit Breaker

1. INTRODUCTION

General Information

The padlockable handle lock hasp (Fig. 1-1) is used to externally lock the circuit breaker handle in the ON or OFF position. Safety is ensured since trip-free operation lets the circuit breaker trip when the handle is locked in the ON position. The hasp is mounted on the circuit breaker cover in the left- or right-pole position. The hasp takes up to three padlock shackles, each with a maximum diameter of 1/4 inch (6 mm).

The padlockable handle lock hasp has been evaluated by Underwriters Laboratories, Inc. as an unlisted component for use with these circuit breakers and molded case switches. It consists of a mounting plate connected by a hinge to a lockplate. The mounting plate includes the padlock staple. When the mounting plate is attached to the circuit breaker cover, the lockplate hinges over the mounting plate and staple. A tab on the lockplate prevents the circuit breaker handle from moving.

This instruction leaflet (IL) gives detailed procedures for installing the padlockable handle lock hasp.

1. INSTALLATION

The padlockable handle lock hasp can be mounted in the left- or right-pole position of a 2-, 3-, and 4-pole circuit breaker. A padlockable handle lock hasp should normally be mounted on the circuit breaker cover before the circuit breaker is installed in an electrical system. To mount the padlockable handle lock hasp, perform the following steps.



WARNING

BEFORE MOUNTING THE PADLOCKABLE HANDLE LOCK HASP ON A CIRCUIT BREAKER INSTALLED IN AN ELECTRICAL SYSTEM, MAKE SURE THE CIRCUIT BREAKER IS SWITCHED TO THE OFF POSITION AND THAT THERE IS NO VOLTAGE PRESENT WHERE WORK IS TO BE PERFORMED.

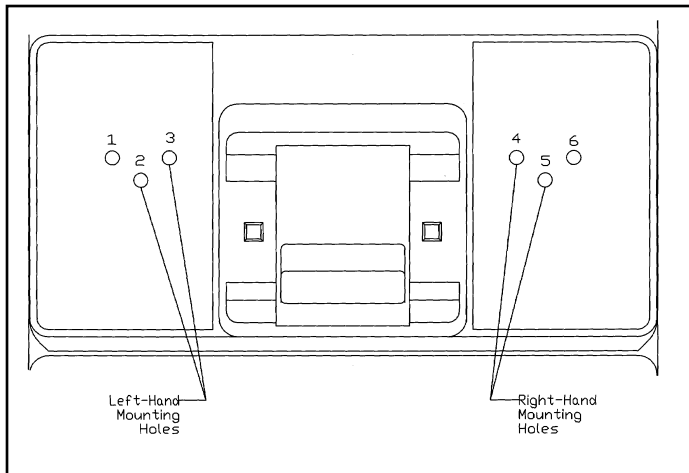


Figure 2-1 Padlockable Handle Lock Hasp Installation

SPECIAL ATTENTION SHOULD BE PAID TO REVERSE FEED APPLICATIONS TO ENSURE NO VOLTAGE IS PRESENT. THE VOLTAGES IN ENERGIZED EQUIPMENT CAN CAUSE DEATH OR SEVERE PERSONAL INJURY.

Note: When the padlockable handle lock hasp is mounted on the circuit breaker cover, part of the nameplate information is covered. Before mounting the hasp, make sure that the information is recorded for future reference. A blank nameplate is supplied to record hidden information. The nameplate should be placed on the side of the circuit breaker or another convenient location adjacent to the circuit breaker.

The following steps describe how to mount the padlockable handle lock hasp in the left-pole position of the circuit breaker. The same procedure is used for mounting the hasp in the right pole position.

- 2-1. Mounting holes are located in the cover under the nameplate. Find the mounting holes using the locating marks in the nameplate. (See Fig. 2-1)
- 2-2. Using a pencil or similar pointed tool, punch through the area of the nameplate covering holes 2 and 3 (4 and 5 for right hand mounting).
- 2-3. For mounting over the left pole, letter L on mounting plate must be toward the line end of the

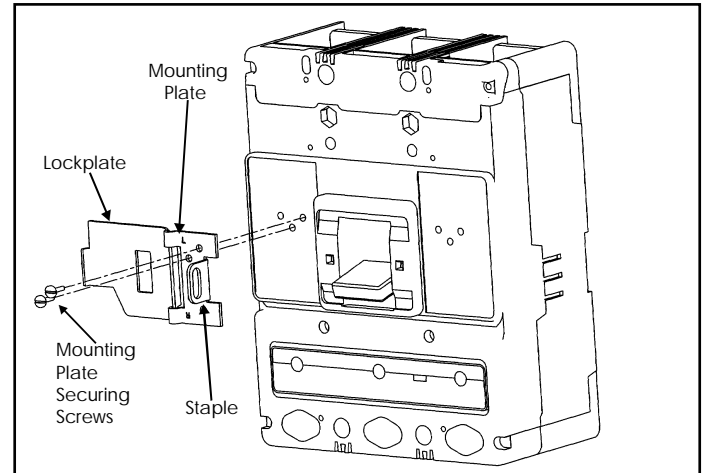


Figure 2-2 Mounting Hole Locations

circuit breaker (Fig. 2-2). For mounting over the right pole, letter R must be toward the line end of the circuit breaker.

- 2-4. Position mounting plate on cover. Align mounting holes. (See Fig. 2-2).



CAUTION

FIRMLY TIGHTEN, BUT DO NOT OVERTIGHTEN, MOUNTING PLATE SCREWS. OVERTIGHTENING SCREWS CAN DAMAGE THE CIRCUIT BREAKER COVER. USE ONLY HARDWARE PROVIDED, DO NOT SUBSTITUTE.

- 2-5. Secure mounting plate with two special #10 (4.8 mm) crossrecessed head, thread-cutting screws provided. Torque screws to 30 lb.-in. (3.5 Nm). Do not substitute hardware.
- 2-6. Move circuit breaker handle to the OFF position. Hinge lockplate over staple. Check that padlock shackle fits through staple and that tab on lock plate blocks path of circuit breaker handle.
- 2-7. Remove padlock. Hinge lockplate away from circuit breaker handle. Move circuit breaker handle to the ON position. Hinge lockplate over shackle and check that tab blocks path of circuit breaker handle. (Lock On/Off Styles Only)

Cutler-Hammer
Moon Township, Pennsylvania U.S.A.

Effective 4/02
Style 6633C10H08
Printed in U.S.A./TQC

EAT•N