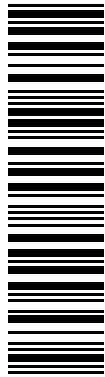
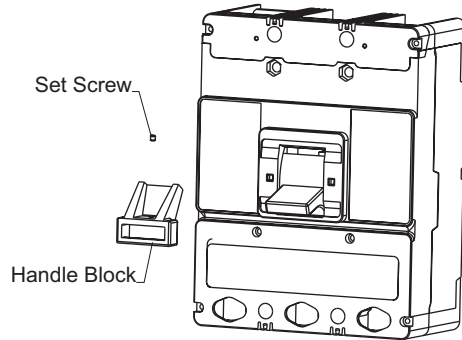


**EAT•N**

Cutler-Hammer

**Series C  
Circuit Breaker  
Accessory****For Frames:  
LDB  
LD HLD LDC  
LW HLW LWC  
MDL NDB  
ND HND NDC  
NW HNW NWC**Cutler-Hammer Business  
Pittsburgh, PA.

4213B16H04

**Handle Block****Cat. No. - LKD4  
Style No. - 4213B15G01  
Package Quantity - 1**

1 07 86679 23170 5

Breaker Handle May Be Blocked In Either  
The "on" Or "off" Position.**Instructions For Assembly:**

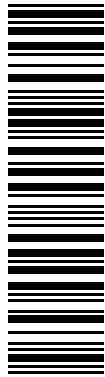
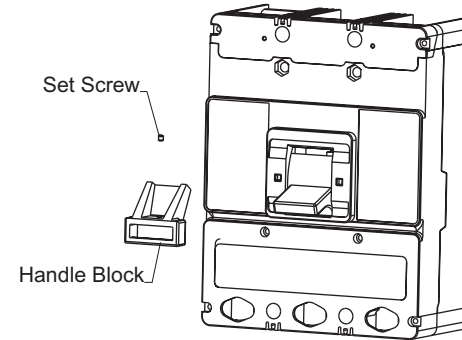
- Place Circuit Breaker Handle In Position Desired To Be Maintined (either "on" Or "off").
- Press Handle Block Onto Circuit Breaker Handle So That Handle Block Is Flush With Circuit Breaker Handle.
- Secure Handle Block With Set Screw.

**EAT•N**

Cutler-Hammer

**Series C  
Circuit Breaker  
Accessory****For Frames:  
LDB  
LD HLD LDC  
LW HLW LWC  
MDL NDB  
ND HND NDC  
NW HNW NWC**Cutler-Hammer Business  
Pittsburgh, PA.

4213B16H04

**Handle Block****Cat. No. - LKD4  
Style No. - 4213B15G01  
Package Quantity - 1**

1 07 86679 23170 5

Breaker Handle May Be Blocked In Either  
The "on" Or "off" Position.**Instructions For Assembly:**

- Place Circuit Breaker Handle In Position Desired To Be Maintined (either "on" Or "off").
- Press Handle Block Onto Circuit Breaker Handle So That Handle Block Is Flush With Circuit Breaker Handle.
- Secure Handle Block With Set Screw.

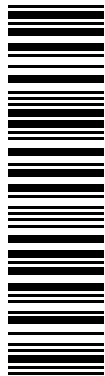
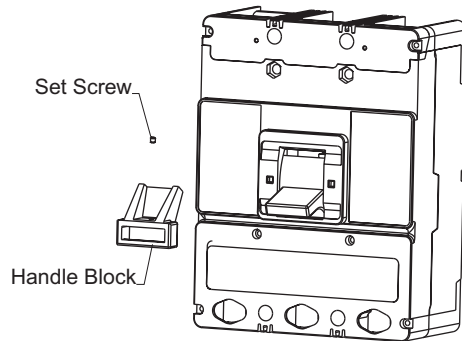
ECN # LD-6708 4213B16H04

**EAT•N**

Cutler-Hammer

**Series C  
Circuit Breaker  
Accessory****For Frames:  
LDB  
LD HLD LDC  
LW HLW LWC  
MDL NDB  
ND HND NDC  
NW HNW NWC**Cutler-Hammer Business  
Pittsburgh, PA.

4213B16H04

**Handle Block****Cat. No. - LKD4  
Style No. - 4213B15G01  
Package Quantity - 1**

1 07 86679 23170 5

Breaker Handle May Be Blocked In Either  
The "on" Or "off" Position.**Instructions For Assembly:**

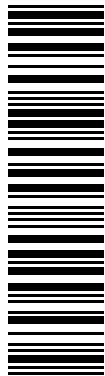
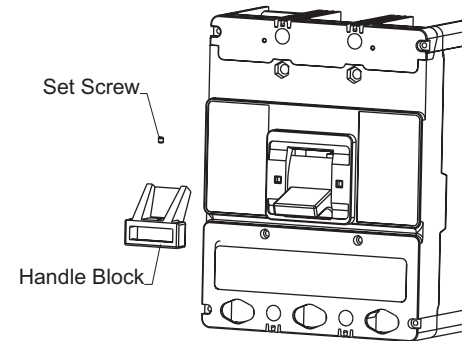
- Place Circuit Breaker Handle In Position Desired To Be Maintined (either "on" Or "off").
- Press Handle Block Onto Circuit Breaker Handle So That Handle Block Is Flush With Circuit Breaker Handle.
- Secure Handle Block With Set Screw.

**EAT•N**

Cutler-Hammer

**Series C  
Circuit Breaker  
Accessory****For Frames:  
LDB  
LD HLD LDC  
LW HLW LWC  
MDL NDB  
ND HND NDC  
NW HNW NWC**Cutler-Hammer Business  
Pittsburgh, PA.

4213B16H04

**Handle Block****Cat. No. - LKD4  
Style No. - 4213B15G01  
Package Quantity - 1**

1 07 86679 23170 5

Breaker Handle May Be Blocked In Either  
The "on" Or "off" Position.**Instructions For Assembly:**

- Place Circuit Breaker Handle In Position Desired To Be Maintined (either "on" Or "off").
- Press Handle Block Onto Circuit Breaker Handle So That Handle Block Is Flush With Circuit Breaker Handle.
- Secure Handle Block With Set Screw.