



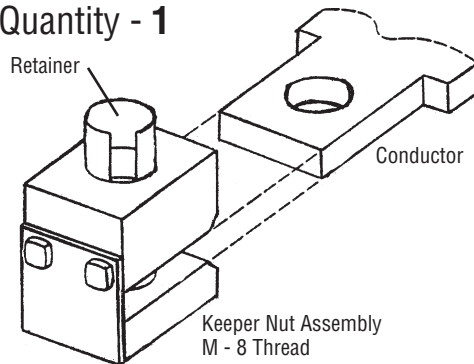
**Cutler-Hammer
Series C
Circuit Breaker
Accessory**

For K-Frame

**Cutler-Hammer
PDCD
Pittsburgh, PA**

4217 B86 H05

Keeper Nut Assembly Kit - Metric
Cat. No. **KPR3BM** (Load End)
Style No. **5092A64G28**
Quantity - **1**



Package Of 3 Assemblies

Instructions For Assembly:

- Push Nut Assembly Over End Of Conductor.
- **NON-THREADED (Upper) SIDE OF ASSEMBLY MUST BE BETWEEN CONDUCTOR AND ELECTRICAL CONNECTION.**
- Holes In Assembly Must Line Up With Clearance Hole In Conductor.
- Push Retainer Into Conductor Hole To Keep Nut Assembly On Conductor.

FILE = 4217B86H05/5092A64G28 BGART
DATE = 12-09-98



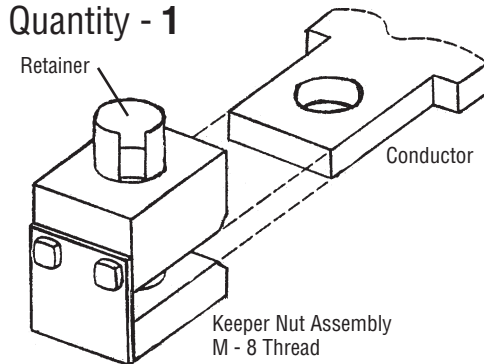
**Cutler-Hammer
Series C
Circuit Breaker
Accessory**

For K-Frame

**Cutler-Hammer
PDCD
Pittsburgh, PA**

4217 B86 H05

Keeper Nut Assembly Kit - Metric
Cat. No. **KPR3BM** (Load End)
Style No. **5092A64G28**
Quantity - **1**



Package Of 3 Assemblies

Instructions For Assembly:

- Push Nut Assembly Over End Of Conductor.
- **NON-THREADED (Upper) SIDE OF ASSEMBLY MUST BE BETWEEN CONDUCTOR AND ELECTRICAL CONNECTION.**
- Holes In Assembly Must Line Up With Clearance Hole In Conductor.
- Push Retainer Into Conductor Hole To Keep Nut Assembly On Conductor.



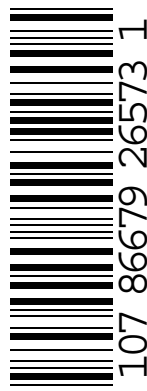
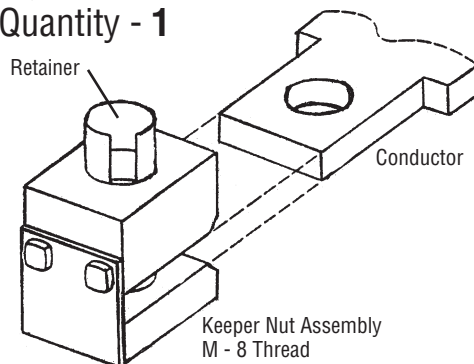
**Cutler-Hammer
Series C
Circuit Breaker
Accessory**

For K-Frame

**Cutler-Hammer
PDCD
Pittsburgh, PA**

4217 B86 H05

Keeper Nut Assembly Kit - Metric
Cat. No. **KPR3BM** (Load End)
Style No. **5092A64G28**
Quantity - **1**



Package Of 3 Assemblies

Instructions For Assembly:

- Push Nut Assembly Over End Of Conductor.
- **NON-THREADED (Upper) SIDE OF ASSEMBLY MUST BE BETWEEN CONDUCTOR AND ELECTRICAL CONNECTION.**
- Holes In Assembly Must Line Up With Clearance Hole In Conductor.
- Push Retainer Into Conductor Hole To Keep Nut Assembly On Conductor.

FILE = 4217B86H05/5092A64G28 BGART
DATE = 12-09-98



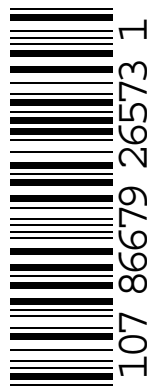
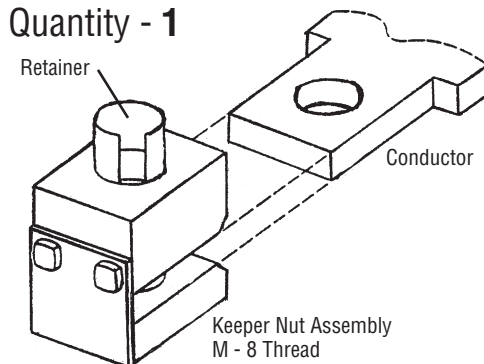
**Cutler-Hammer
Series C
Circuit Breaker
Accessory**

For K-Frame

**Cutler-Hammer
PDCD
Pittsburgh, PA**

4217 B86 H05

Keeper Nut Assembly Kit - Metric
Cat. No. **KPR3BM** (Load End)
Style No. **5092A64G28**
Quantity - **1**



Package Of 3 Assemblies

Instructions For Assembly:

- Push Nut Assembly Over End Of Conductor.
- **NON-THREADED (Upper) SIDE OF ASSEMBLY MUST BE BETWEEN CONDUCTOR AND ELECTRICAL CONNECTION.**
- Holes In Assembly Must Line Up With Clearance Hole In Conductor.
- Push Retainer Into Conductor Hole To Keep Nut Assembly On Conductor.