



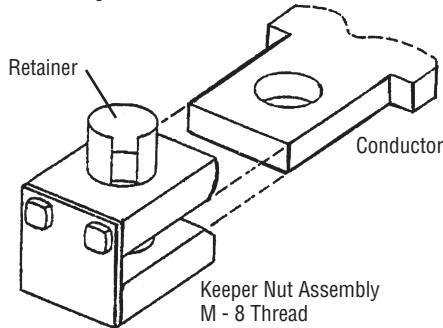
**Cutler-Hammer
Series C
Circuit Breaker
Accessory**

For K-Frame

**Cutler-Hammer
PDCD
Pittsburgh, PA**

4217 B84 H05

Keeper Nut Assembly Kit - Metric
Cat. No. **KPR3AM** (Line End)
Style No. **5092A64G26**
Quantity - 1



Package Of 3 Assemblies

Instructions For Assembly:

- Push Nut Assembly Over End Of Conductor.
- NON-THREADED (Upper) SIDE OF ASSEMBLY MUST BE BETWEEN CONDUCTOR AND ELECTRICAL CONNECTION.
- Holes In Assembly Must Line Up With Clearance Hole In Conductor.
- Push Retainer Into Conductor Hole To Keep Nut Assembly On Conductor.



FILE = 4217B84H05/5092A64G26 BGART
DATE = 12-09-98



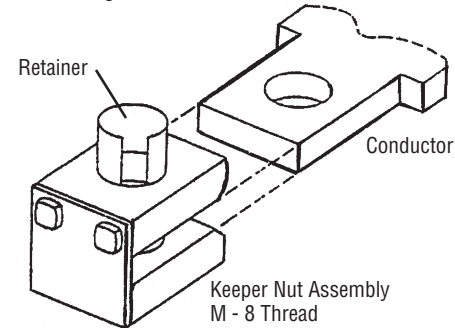
**Cutler-Hammer
Series C
Circuit Breaker
Accessory**

For K-Frame

**Cutler-Hammer
PDCD
Pittsburgh, PA**

4217 B84 H05

Keeper Nut Assembly Kit - Metric
Cat. No. **KPR3AM** (Line End)
Style No. **5092A64G26**
Quantity - 1



Package Of 3 Assemblies

Instructions For Assembly:

- Push Nut Assembly Over End Of Conductor.
- NON-THREADED (Upper) SIDE OF ASSEMBLY MUST BE BETWEEN CONDUCTOR AND ELECTRICAL CONNECTION.
- Holes In Assembly Must Line Up With Clearance Hole In Conductor.
- Push Retainer Into Conductor Hole To Keep Nut Assembly On Conductor.



FILE = 4217B84H05/5092A64G26 BGART
DATE = 12-09-98



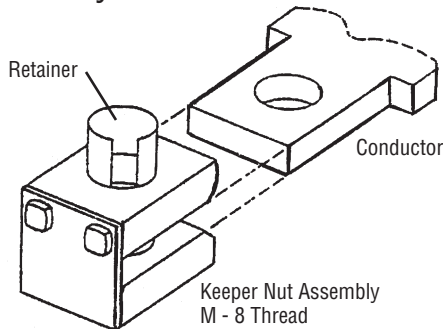
**Cutler-Hammer
Series C
Circuit Breaker
Accessory**

For K-Frame

**Cutler-Hammer
PDCD
Pittsburgh, PA**

4217 B84 H05

Keeper Nut Assembly Kit - Metric
Cat. No. **KPR3AM** (Line End)
Style No. **5092A64G26**
Quantity - 1



Package Of 3 Assemblies

Instructions For Assembly:

- Push Nut Assembly Over End Of Conductor.
- NON-THREADED (Upper) SIDE OF ASSEMBLY MUST BE BETWEEN CONDUCTOR AND ELECTRICAL CONNECTION.
- Holes In Assembly Must Line Up With Clearance Hole In Conductor.
- Push Retainer Into Conductor Hole To Keep Nut Assembly On Conductor.



FILE = 4217B84H05/5092A64G26 BGART
DATE = 12-09-98



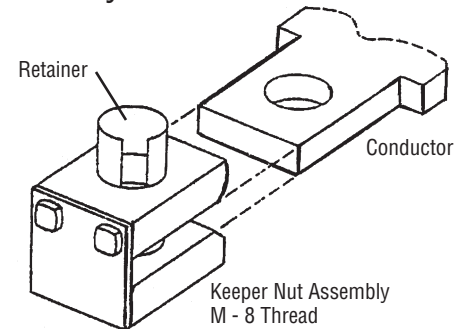
**Cutler-Hammer
Series C
Circuit Breaker
Accessory**

For K-Frame

**Cutler-Hammer
PDCD
Pittsburgh, PA**

4217 B84 H05

Keeper Nut Assembly Kit - Metric
Cat. No. **KPR3AM** (Line End)
Style No. **5092A64G26**
Quantity - 1



Package Of 3 Assemblies

Instructions For Assembly:

- Push Nut Assembly Over End Of Conductor.
- NON-THREADED (Upper) SIDE OF ASSEMBLY MUST BE BETWEEN CONDUCTOR AND ELECTRICAL CONNECTION.
- Holes In Assembly Must Line Up With Clearance Hole In Conductor.
- Push Retainer Into Conductor Hole To Keep Nut Assembly On Conductor.



FILE = 4217B84H05/5092A64G26 BGART
DATE = 12-09-98