



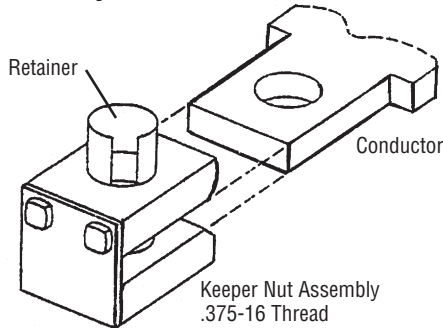
**Cutler-Hammer  
Series C  
Circuit Breaker  
Accessory**

**For K-Frame**

**Cutler-Hammer  
PDCD  
Pittsburgh, PA**

4217 B83 H05

**Keeper Nut Assembly Kit**  
Cat. No. **KPR3A** (Line End)  
Style No. **5092A64G25**  
Quantity - 1



Package Of 3 Assemblies

Instructions For Assembly:

- Push Nut Assembly Over End Of Conductor.
- NON-THREADED ( Upper) SIDE OF ASSEMBLY MUST BE BETWEEN CONDUCTOR AND ELECTRICAL CONNECTION.
- Holes In Assembly Must Line Up With Clearance Hole In Conductor.
- Push Retainer Into Conductor Hole To Keep Nut Assembly On Conductor.



FILE = 4217B83H05/5092A64G25 BGART  
DATE = 05-26-98



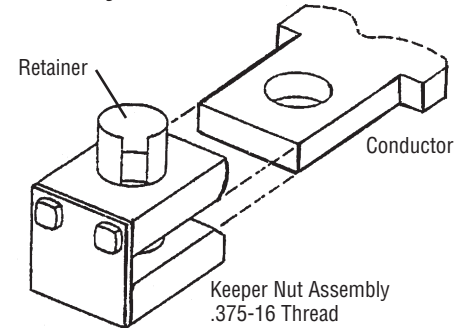
**Cutler-Hammer  
Series C  
Circuit Breaker  
Accessory**

**For K-Frame**

**Cutler-Hammer  
PDCD  
Pittsburgh, PA**

4217 B83 H05

**Keeper Nut Assembly Kit**  
Cat. No. **KPR3A** (Line End)  
Style No. **5092A64G25**  
Quantity - 1



Package Of 3 Assemblies

Instructions For Assembly:

- Push Nut Assembly Over End Of Conductor.
- NON-THREADED ( Upper) SIDE OF ASSEMBLY MUST BE BETWEEN CONDUCTOR AND ELECTRICAL CONNECTION.
- Holes In Assembly Must Line Up With Clearance Hole In Conductor.
- Push Retainer Into Conductor Hole To Keep Nut Assembly On Conductor.



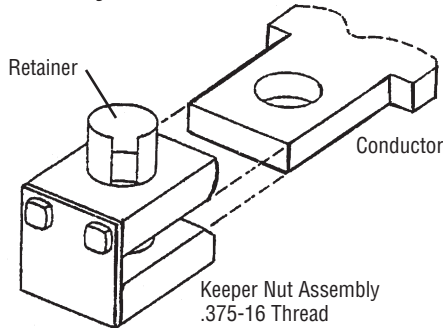
**Cutler-Hammer  
Series C  
Circuit Breaker  
Accessory**

**For K-Frame**

**Cutler-Hammer  
PDCD  
Pittsburgh, PA**

4217 B83 H05

**Keeper Nut Assembly Kit**  
Cat. No. **KPR3A** (Line End)  
Style No. **5092A64G25**  
Quantity - 1



Package Of 3 Assemblies

Instructions For Assembly:

- Push Nut Assembly Over End Of Conductor.
- NON-THREADED ( Upper) SIDE OF ASSEMBLY MUST BE BETWEEN CONDUCTOR AND ELECTRICAL CONNECTION.
- Holes In Assembly Must Line Up With Clearance Hole In Conductor.
- Push Retainer Into Conductor Hole To Keep Nut Assembly On Conductor.



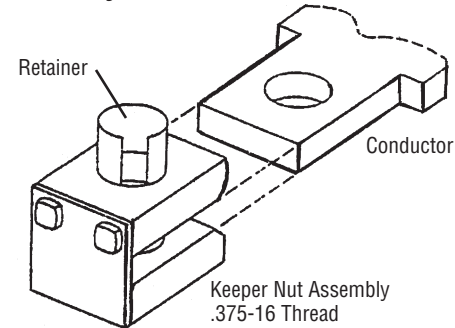
**Cutler-Hammer  
Series C  
Circuit Breaker  
Accessory**

**For K-Frame**

**Cutler-Hammer  
PDCD  
Pittsburgh, PA**

4217 B83 H05

**Keeper Nut Assembly Kit**  
Cat. No. **KPR3A** (Line End)  
Style No. **5092A64G25**  
Quantity - 1



Package Of 3 Assemblies

Instructions For Assembly:

- Push Nut Assembly Over End Of Conductor.
- NON-THREADED ( Upper) SIDE OF ASSEMBLY MUST BE BETWEEN CONDUCTOR AND ELECTRICAL CONNECTION.
- Holes In Assembly Must Line Up With Clearance Hole In Conductor.
- Push Retainer Into Conductor Hole To Keep Nut Assembly On Conductor.

