

FRID # 5111292



**Westinghouse
Series C
AB De-Ion
Circuit Breaker
Accessory**

For Types:

DK	KDB	
KD	HKD	KDC
KW	HKW	KWC
JDB		
JD	HJD	JDC
JW	HJW	JWC

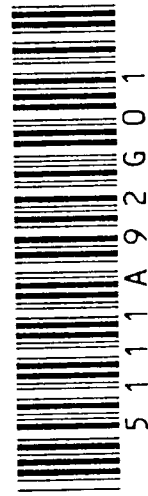
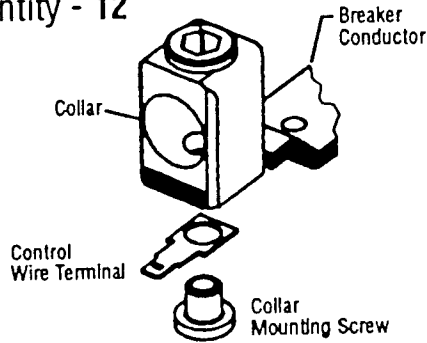
Westinghouse Electric Corp.
Electrical Components Div.
Pittsburgh, Pa. 15220

Printed in U.S.A.
4211 803 H01

Control Wire Terminal Kit

Style No. 5111A92G01

Quantity - 12



Package of 12 Control Wire Terminals
Use Only With Aluminum or Copper Collars.

Instructions For Assembly -

- Remove Collar Mounting Screw
- Insert Collar Mounting Screw Through Control Wire Terminal & Conductor & Tighten Into Collar

CAT# KCWTK