

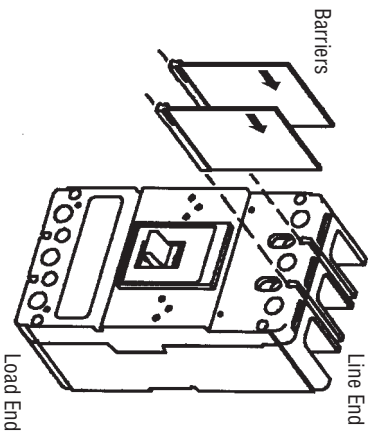


**Cutler-Hammer
Series C
Circuit Breaker
Accessory**

**For K-Frame
J-Frame**

Cutler-Hammer
PDCD
Pittsburgh, PA
4217 887 H04

**Interphase Barrier Kit
Cat. No. IPPB3
Style No. 4222B10G01
Quantity - 1**



Package Of 2 Barriers
Barriers May Be Assembled To Either Line End Or Load End.
Instructions For Assembly:
• Slide Barriers Into Creepage Grooves Of Circuit Breaker.



FILE = 4217B87H04/4222B10G01 BGART
DATE = 04-23-98

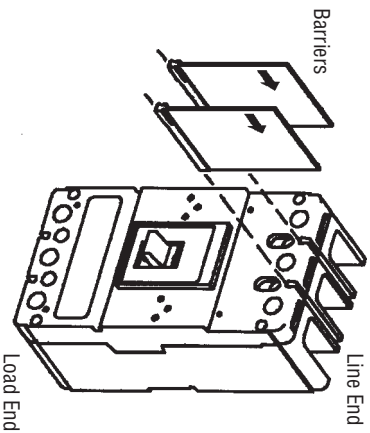


**Cutler-Hammer
Series C
Circuit Breaker
Accessory**

**For K-Frame
J-Frame**

Cutler-Hammer
PDCD
Pittsburgh, PA
4217 887 H04

**Interphase Barrier Kit
Cat. No. IPPB3
Style No. 4222B10G01
Quantity - 1**



Package Of 2 Barriers
Barriers May Be Assembled To Either Line End Or Load End.
Instructions For Assembly:
• Slide Barriers Into Creepage Grooves Of Circuit Breaker.

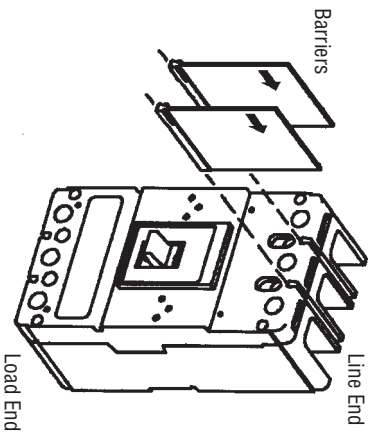


**Cutler-Hammer
Series C
Circuit Breaker
Accessory**

**For K-Frame
J-Frame**

Cutler-Hammer
PDCD
Pittsburgh, PA
4217 887 H04

**Interphase Barrier Kit
Cat. No. IPPB3
Style No. 4222B10G01
Quantity - 1**



Package Of 2 Barriers
Barriers May Be Assembled To Either Line End Or Load End.
Instructions For Assembly:
• Slide Barriers Into Creepage Grooves Of Circuit Breaker.



+

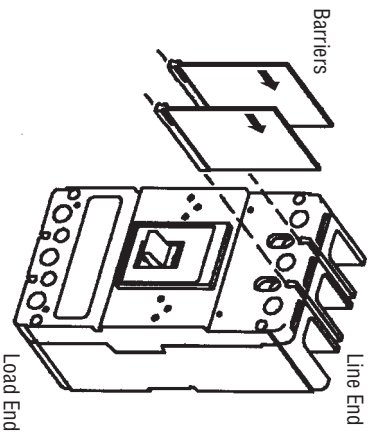


**Cutler-Hammer
Series C
Circuit Breaker
Accessory**

**For K-Frame
J-Frame**

Cutler-Hammer
PDCD
Pittsburgh, PA
4217 887 H04

**Interphase Barrier Kit
Cat. No. IPPB3
Style No. 4222B10G01
Quantity - 1**



Package Of 2 Barriers
Barriers May Be Assembled To Either Line End Or Load End.
Instructions For Assembly:
• Slide Barriers Into Creepage Grooves Of Circuit Breaker.

