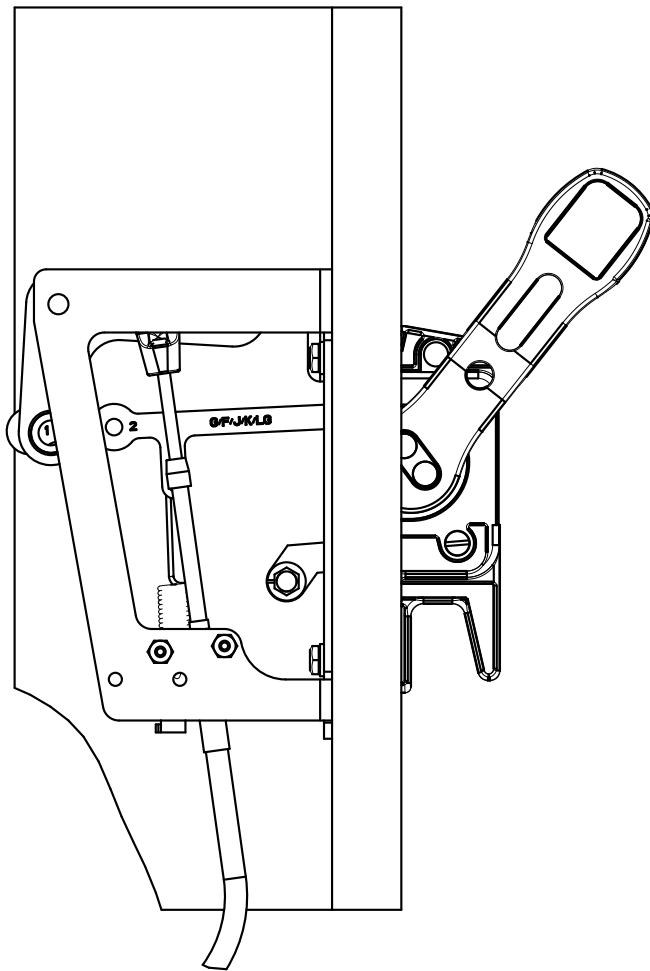


Instructions for Drilling and Assembling High Performance Flex Shaft™ Handle Mechanism for G-Frame Circuit Breakers and Molded Case Switches



Contents

| Description | Page |
|--------------------------------|------|
| 1. General Information..... | 2 |
| 2. Installation | 3 |
| 3. Alternate Installation..... | 5 |



Powering Business Worldwide

⚠ WARNING

DO NOT ATTEMPT TO INSTALL OR PERFORM MAINTENANCE ON EQUIPMENT WHILE IT IS ENERGIZED. DEATH, SEVERE PERSONAL INJURY, OR SUBSTANTIAL PROPERTY DAMAGE CAN RESULT FROM CONTACT WITH ENERGIZED EQUIPMENT. ALWAYS VERIFY THAT NO VOLTAGE IS PRESENT BEFORE PROCEEDING WITH THE TASK, AND ALWAYS FOLLOW GENERALLY ACCEPTED SAFETY PROCEDURES. EATON IS NOT LIABLE FOR THE MISAPPLICATION OR MISINSTALLATION OF ITS PRODUCTS.

The User is cautioned to observe all recommendations, warnings, and cautions relating to the safety of personnel and equipment as well as all general and local health and safety laws, codes, and procedures.

The recommendations and information contained herein are based on Eaton experience and judgment, but should not be considered to be all-inclusive or covering every application or circumstance which may arise. If any questions arise, contact Eaton for further information or instructions.

1. General Information

The High Performance Flex Shaft handle mechanism provides a means of externally operating the circuit breaker and can be applied to enclosures of varying heights and depths. The handle can be used with NEMA 1, 3R, 12, and 4/4X enclosure applications, depending on the accessory components selected. An operating handle, flexible shaft, and mechanism are required for standard application. Nine lengths of shafts are available for use with the wide range of depths of various enclosures (3 through 6 ft [0.91 through 1.83 m]). When selecting the length of the Flexible Shaft, ensure Minimum bending radius of 4 in. (101.60 mm) is maintained to operate properly. The standard method of shipment includes the mechanism preset at the factory. If minor field adjustments are required, see Figure 5. For this publication, the term circuit breaker shall also include the molded case switch and motor circuit protector (HMCP).

⚠ WARNING

WHEN INSTALLING A NEW HANDLE MECHANISM, OR A NEW CIRCUIT BREAKER AND HANDLE MECHANISM IN AN EXISTING ELECTRICAL SYSTEM, MAKE SURE THERE IS NO VOLTAGE PRESENT WHERE WORK IS TO BE PERFORMED. SPECIAL ATTENTION SHOULD BE PAID TO REVERSE FEED APPLICATIONS TO ENSURE NO VOLTAGE IS PRESENT. THE VOLTAGE IN ENERGIZED, EQUIPMENT CAN CAUSE DEATH OR SEVERE PERSONAL INJURY.

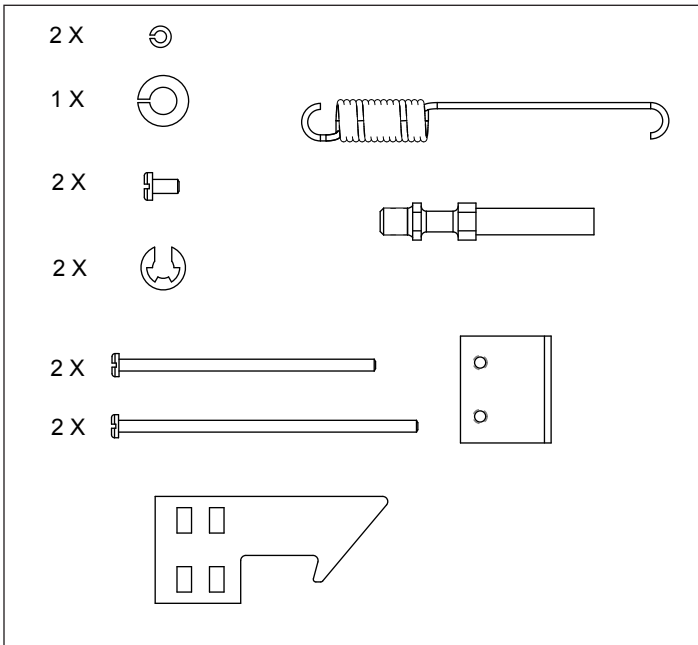


Figure 1. Hardware Contents.

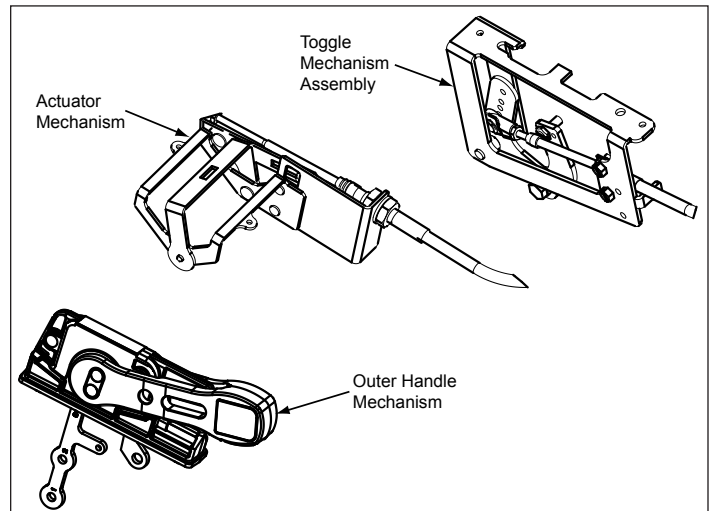


Figure 2. Assembly Contents.

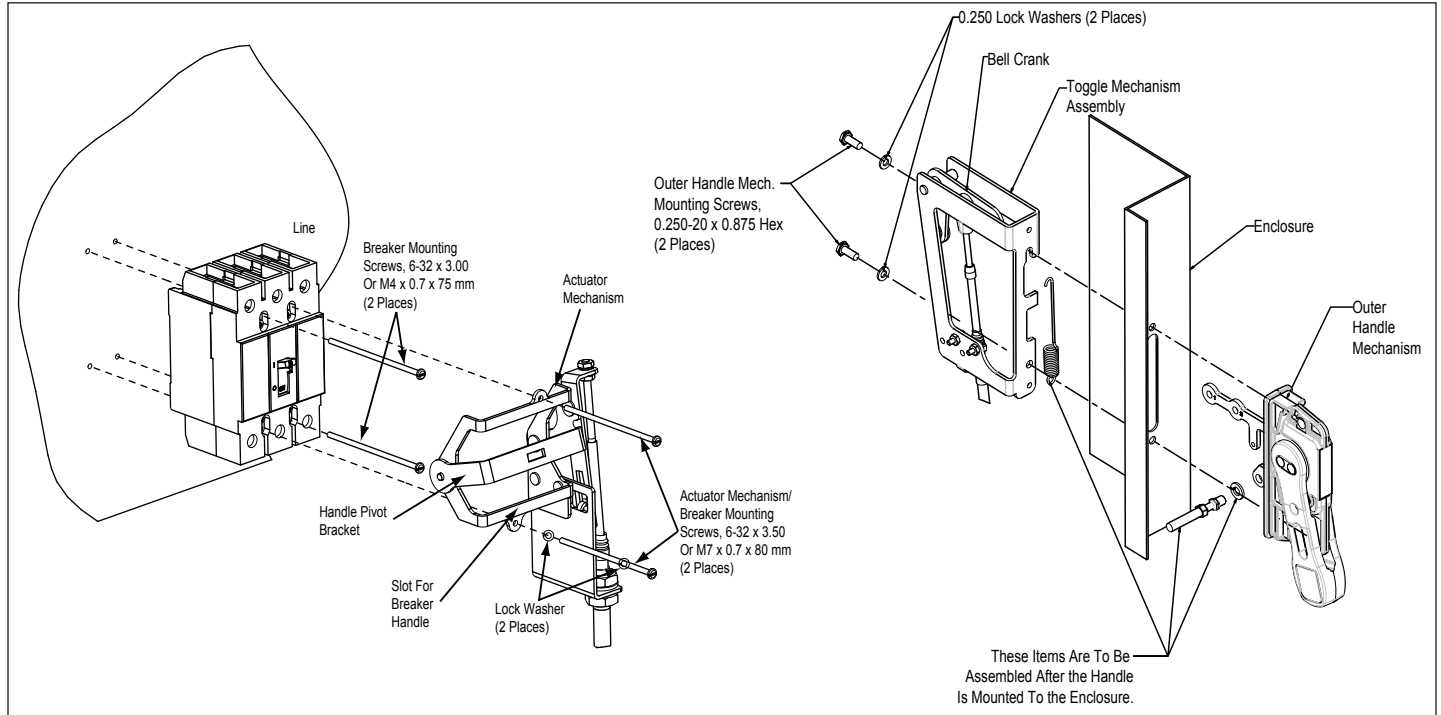


Figure 3. Securing the Actuator Mechanism to the Breaker and Toggle Mechanism and Handle to the Enclosure.

2. Installation

For assembly steps, refer to Figure 3, unless otherwise noted.

1. Mount the breaker with two of the 6-32 x 3.0 in. breaker mounting screws. Install the screws in the diagonal fashion as shown, opposite of the actuator mechanism. Tighten to 10 in-lb (1.1 N•m).
2. Install the handle to enclosure by removing the two screws and lock washers from the outer handle mechanism. Place the outer handle mechanism, with attached gasket, over the enclosure cut-out (for cut-out dimensions, refer to Figure 8). Insert the top 0.25-20 outer handle mechanism mounting screw and lock washer through the enclosure and thread into the outer handle mechanism for a few turns, but not all the way.
3. Slide the toggle mechanism assembly over the top of the handle mounting screw. Insert the bottom outer handle mechanism mounting screw and lock washer through the toggle mechanism bracket, through the enclosure, and into the handle. Tighten both mounting screws to 23 - 37 in-lb (2.6 - 4.1 N•m) Max.
4. Put the outer handle mechanism in the "Trip" position for ease of mounting the actuator mechanism.
5. Place the actuator mechanism around the front of the breaker (see Figure 3). Orient the handle pivot bracket so that the slot captures the breaker handle. Fasten securely with the two 6-32 x 3.0 in. actuator mechanism/breaker mounting screws and lock washers, as shown. Tighten to 10 in-lb (1.1 N•m).
6. Connect the long end of the spring through hole in handle actuator link. Hook the shorter end of the spring into the tab on the lower portion of the toggle mechanism (see Figure 6).
7. Rotate the bell crank towards the handle and rotate the outer handle to the "On" position. Align the actuator link (hole that is marked "1") and attach it to the bell crank. Secure it using an "E"-Ring (see Figure 7).

8. Mount the door interlock pin and lock washer to handle. Tighten to 23 - 37 in-lb (2.6 - 4.1 N•m).
9. Operate the handle mechanism to ensure functionality. To operate, either close the door or defeat the door interlock lever.
10. If minor adjustments are necessary, refer to adjustment checklist in Section 3.
11. Install the appropriate door hardware supplied (see Figure 8).

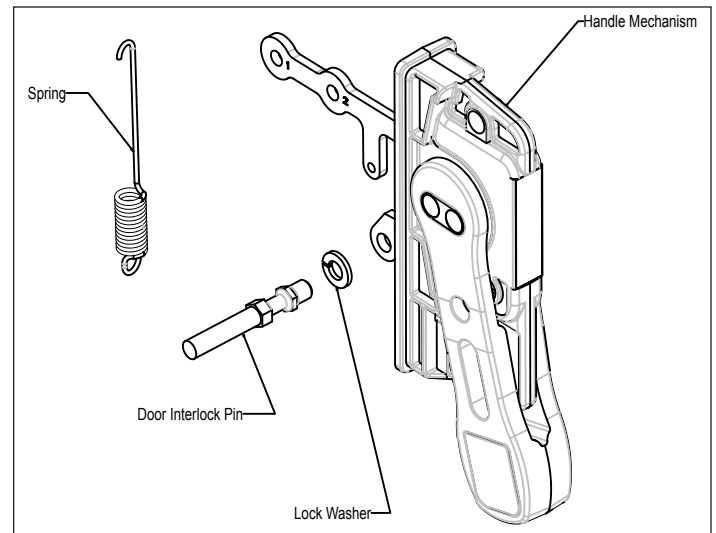


Figure 4. Outer Handle Mechanism Assembly.

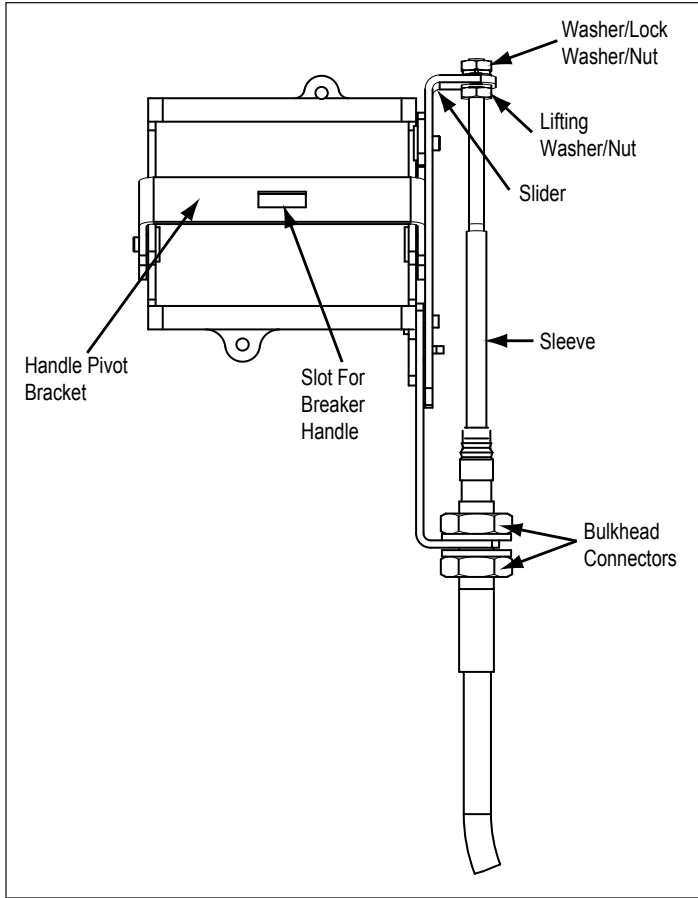


Figure 5. E-Frame Actuator Mechanism.

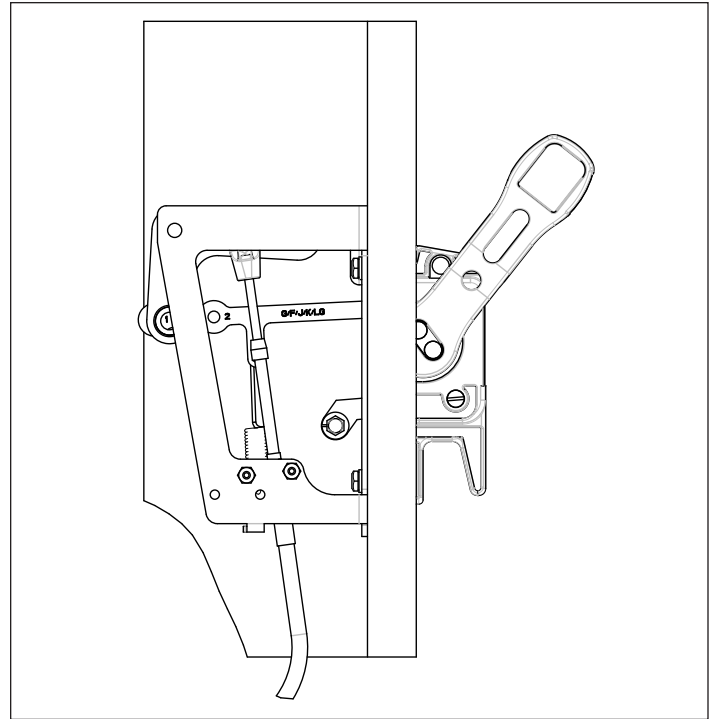


Figure 6. Assembly of Adapter Link to Bell Crank.

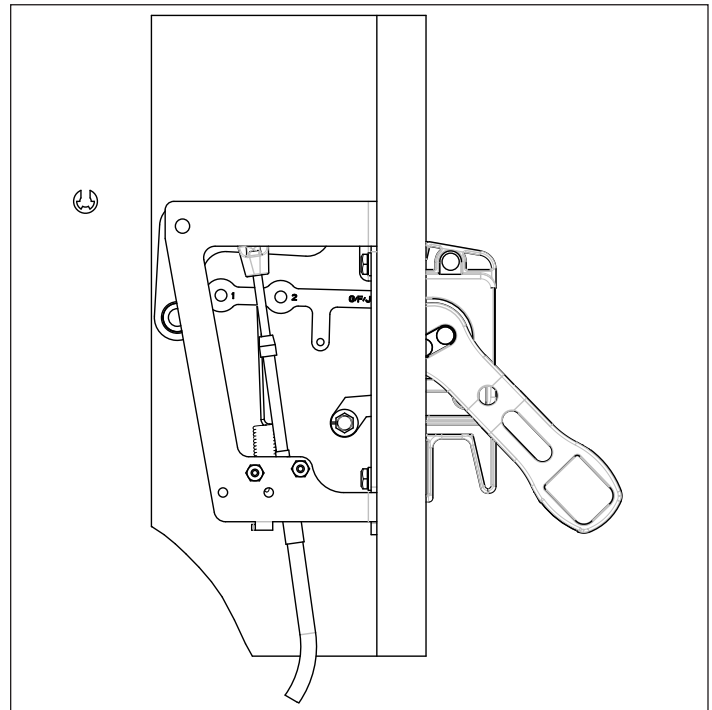


Figure 7. Assembly of Adapter Link to Actuator Link.

3. Alternate Installation

⚠ WARNING

BEFORE ANY INSTALLATION OR MAINTENANCE IS PERFORMED, MAKE SURE THAT THE BREAKER IS NOT ENERGIZED.

In the event a customer must disassemble the pre-assembled Flex Shaft handle mechanism, the procedure listed below must be followed before continuing with the "Installation" instructions (see Figure 5).

1. Remove the flat washer, lock washer, and nut assembly.
2. Loosen the bulkhead connectors and remove Flex Shaft from the actuator mechanism. The shaft may not be routed as required.
3. Place the circuit breaker in the "ON" position.
4. Place the operating handle in the full "ON" position.
5. Replace the Flex Shaft through the actuator mechanism. Center the bulkhead connectors on the threaded portion and tighten to approximately 70 in-lb (7.91 N•m).
6. Place the slot in the Handle Pivot Bracket over the breaker handle while still in the "ON" position. Turn the lifting washer/nut until it is flush against the slider plate.
7. Replace the flat washer, lock washer, and nut assembly for the Flexible Shaft assembly. Tighten both nuts to approximately 45 in-lb (5.08 N•m).
8. Check the operation of mechanism for "ON", "OFF", and "Reset". Check the reset position of the actuator mechanism, that the lifting nut and sleeve of shaft do not come in contact with each other (see Figure 5). If they do, move the bulkhead connectors accordingly. If the mechanism functions incorrectly, repeat the procedure or go to Adjustment Checklist.

Adjustment Checklist

Situation:

Breaker turns "ON" and "OFF", but will not "Reset" when tripped.

Adjustment:

Loosen the lifting washer/nut while tightening the washer/lock washer/nut. Two or three turns should be sufficient (see Figure 5).

Note: Check the reset position of the actuator mechanism, that the lifting nut and sleeve of shaft do not come into contact with each other (see Figure 5). If they do, move the bulkhead connectors accordingly.

Situation:

The breaker resets after tripping, but does not turn "ON".

Adjustment:

Loosen the washer/lock washer/nut on the end of the shaft while tightening the lifting washer/nut until the breaker turns "ON" with positive action. Tighten both nuts and recheck for "ON", "OFF", and "Reset" positions (see Figure 5).

Note: After adjustment, be certain to have a minimum of one thread past the washer/lock washer/nut assembly (see Figure 5).

If any other adjustment problems should arise, contact your local Eaton representative.

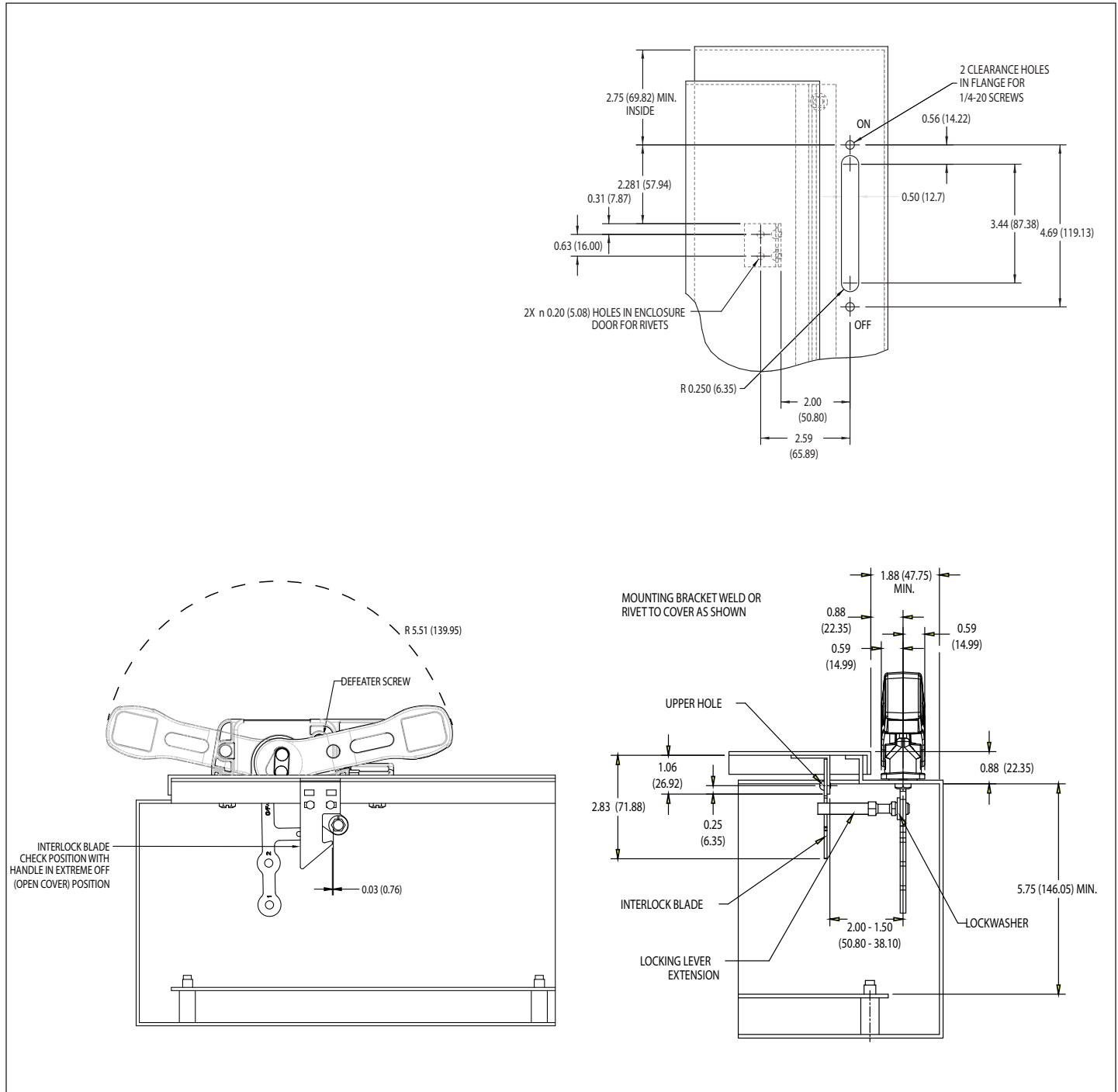


Figure 8. Flange Drilling Plans for Handle and Interlock Blade Mounting Dimensions.

Instructions for Drilling and Assembling High Performance
Flex Shaft™ Handle Mechanism for G-Frame Circuit Breakers
and Molded Case Switches

Instruction Leaflet IL012051EN

Effective January 2015

Notes:

The instructions for installation, testing, maintenance, or repair herein are provided for the use of the product in general commercial applications and may not be appropriate for use in nuclear applications. Additional instructions may be available upon specific request to replace, amend, or supplement these instructions to qualify them for use with the product in safety-related applications in a nuclear facility.

This Instruction Booklet is published solely for information purposes and should not be considered all-inclusive. If further information is required, you should consult an authorized Eaton sales representative.

The sale of the product shown in this literature is subject to the terms and conditions outlined in appropriate Eaton selling policies or other contractual agreement between the parties. This literature is not intended to and does not enlarge or add to any such contract. The sole source governing the rights and remedies of any purchaser of this equipment is the contract between the purchaser and Eaton.

NO WARRANTIES, EXPRESSED OR IMPLIED, INCLUDING WARRANTIES OF FITNESS FOR A PARTICULAR PURPOSE OR MERCHANTABILITY, OR WARRANTIES ARISING FROM COURSE OF DEALING OR USAGE OF TRADE, ARE MADE REGARDING THE INFORMATION, RECOMMENDATIONS, AND DESCRIPTIONS CONTAINED HEREIN.

In no event will Eaton be responsible to the purchaser or user in contract, in tort (including negligence), strict liability or otherwise for any special, indirect, incidental or consequential damage or loss whatsoever, including but not limited to damage or loss of use of equipment, plant or power system, cost of capital, loss of power, additional expenses in the use of existing power facilities, or claims against the purchaser or user by its customers resulting from the use of the information, recommendations and description contained herein.

Eaton
Electrical Sector
1000 Eaton Boulevard
Cleveland, OH 44122
United States
877-ETN-CARE (877-386-2273)
Eaton.com

© 2015 Eaton
All Rights Reserved
Printed in USA
Publication No. IL012051EN / TBG001192
Part No. IL012051ENH01
January 2015