



Cutler-Hammer

Circuit Breaker  
Accessory

For G-Frame

Cutler-Hammer Business  
Pittsburgh, PA.

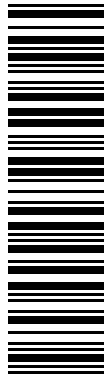
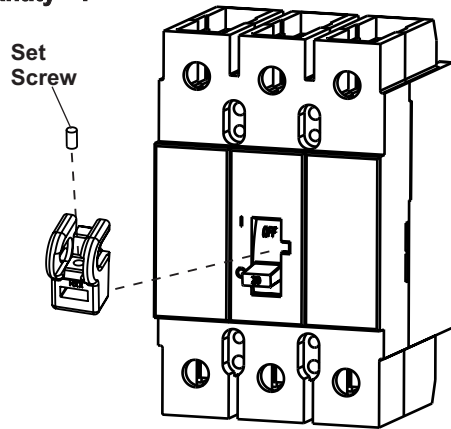
2A92157H01

**Padlockable Handle Block OFF ONLY**

Cat. Number - GPHBOFF

Style No. - 66A1591G05

Quantity - 1



1 07 82116 18389 7

Circuit Breaker To Be Locked "OFF".

Instructions For Assembly -  
Place Block Over Handle & Secure With Set Screw.

ECN # GBC-2678 2A92157H01



Cutler-Hammer

Circuit Breaker  
Accessory

For G-Frame

Cutler-Hammer Business  
Pittsburgh, PA.

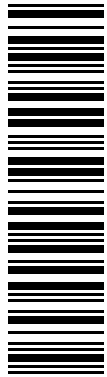
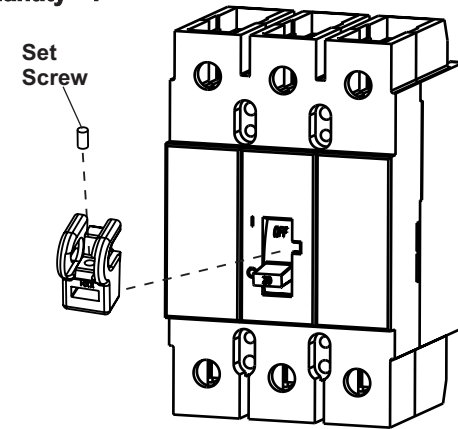
2A92157H01

**Padlockable Handle Block OFF ONLY**

Cat. Number - GPHBOFF

Style No. - 66A1591G05

Quantity - 1



1 07 82116 18389 7

Circuit Breaker To Be Locked "OFF".

Instructions For Assembly -  
Place Block Over Handle & Secure With Set Screw.



Cutler-Hammer

Circuit Breaker  
Accessory

For G-Frame

Cutler-Hammer Business  
Pittsburgh, PA.

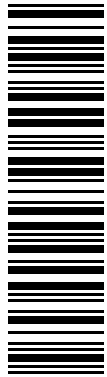
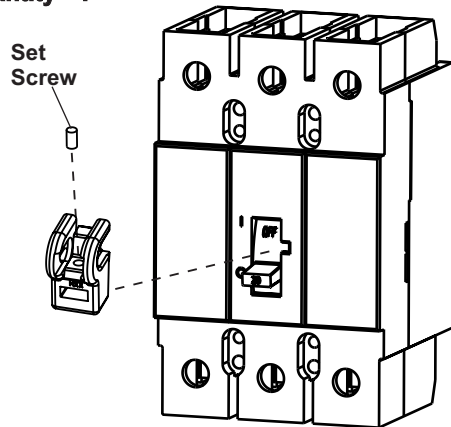
2A92157H01

**Padlockable Handle Block OFF ONLY**

Cat. Number - GPHBOFF

Style No. - 66A1591G05

Quantity - 1



1 07 82116 18389 7

Circuit Breaker To Be Locked "OFF".

Instructions For Assembly -  
Place Block Over Handle & Secure With Set Screw.



Cutler-Hammer

Circuit Breaker  
Accessory

For G-Frame

Cutler-Hammer Business  
Pittsburgh, PA.

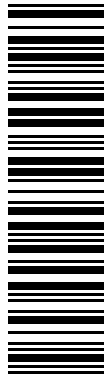
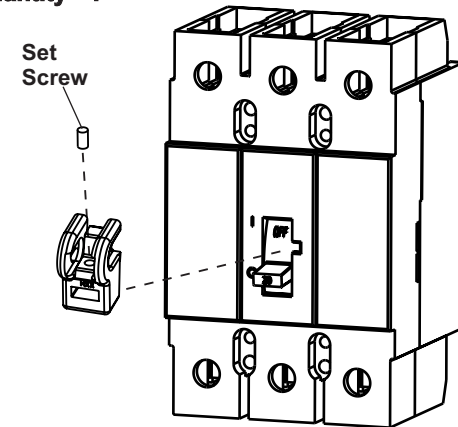
2A92157H01

**Padlockable Handle Block OFF ONLY**

Cat. Number - GPHBOFF

Style No. - 66A1591G05

Quantity - 1



1 07 82116 18389 7

Circuit Breaker To Be Locked "OFF".

Instructions For Assembly -  
Place Block Over Handle & Secure With Set Screw.