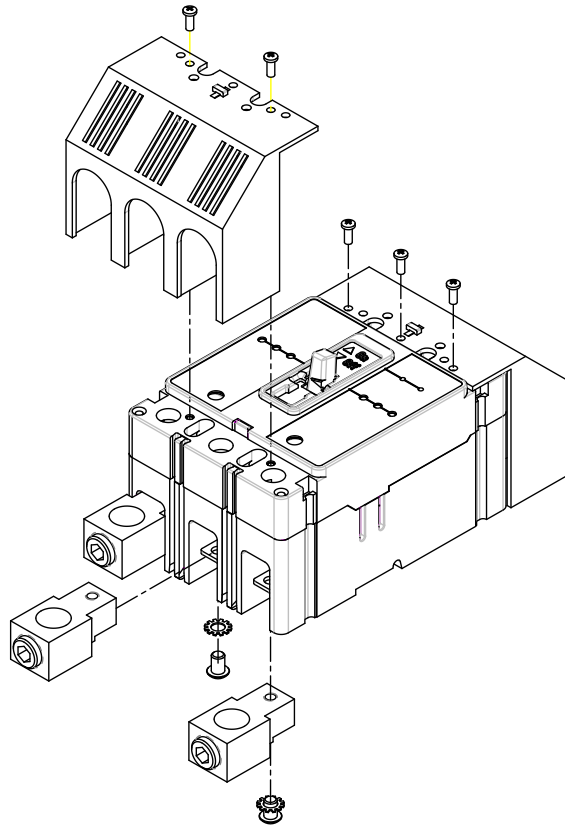


Instructions for F-Frame 300 MCM Terminal Kit, Catalog No. 3TA225FDRF. For Use on Series C F-Frame Circuit Breakers, Molded Case Switches, and Motor Circuit Protectors.



Contents

Description	Page
1. Kit Contents	2
2. Instructions For Assembly	2

⚠ WARNING

DO NOT ATTEMPT TO INSTALL OR PERFORM MAINTENANCE ON EQUIPMENT WHILE IT IS ENERGIZED. DEATH, SEVERE PERSONAL INJURY, OR SUBSTANTIAL PROPERTY DAMAGE CAN RESULT FROM CONTACT WITH ENERGIZED EQUIPMENT. ALWAYS VERIFY THAT NO VOLTAGE IS PRESENT BEFORE PROCEEDING WITH THE TASK, AND ALWAYS FOLLOW GENERALLY ACCEPTED SAFETY PROCEDURES.

EATON IS NOT LIABLE FOR THE MISAPPLICATION OR MISINSTALLATION OF ITS PRODUCTS.

Kit Contents

Package of 3 terminals, 3 washers, 3 terminal mounting screws, 1 terminal shield, 3 terminal shield mounting screws.

Instructions for Assembly

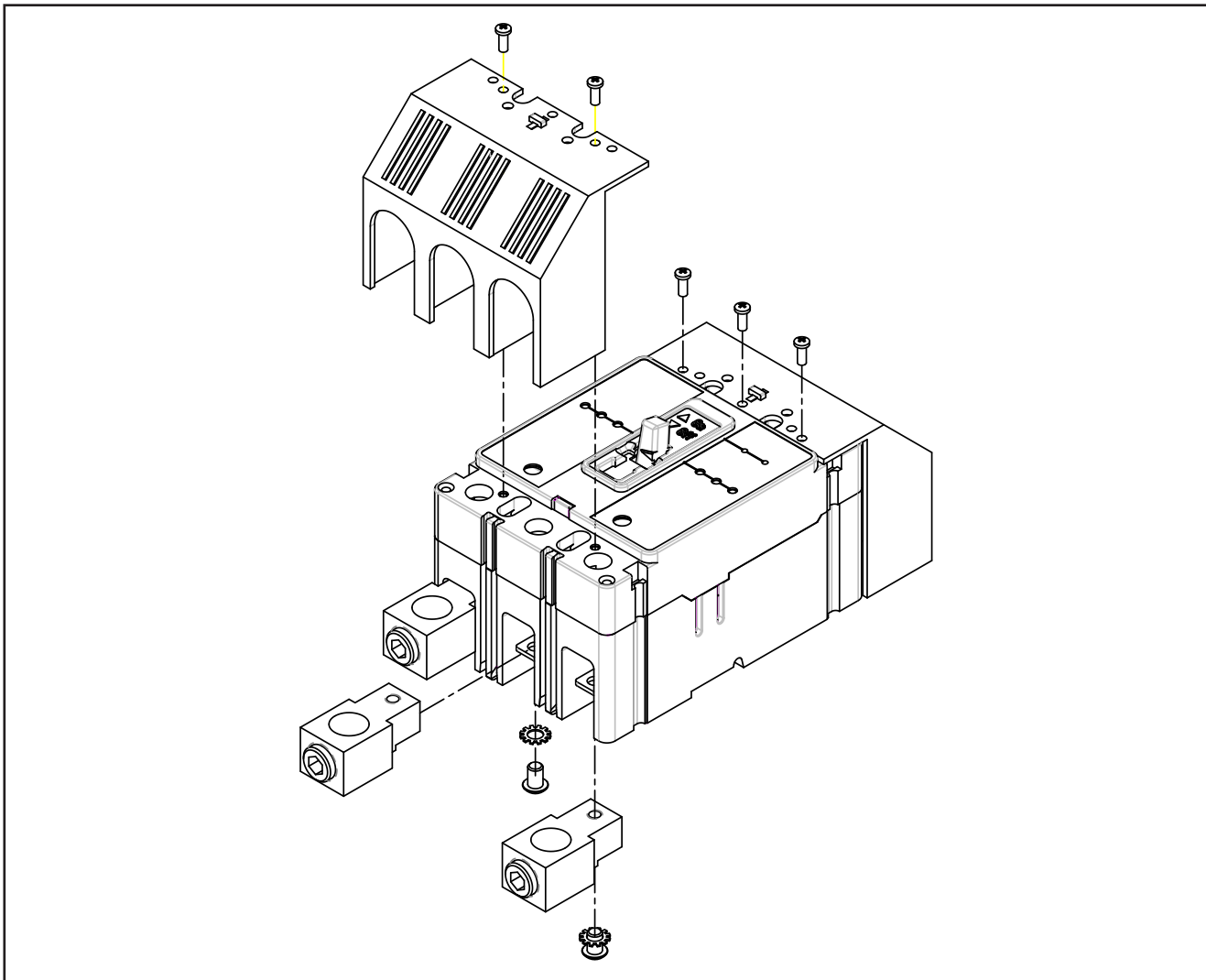
- If circuit breaker is installed in equipment, it must be removed from the equipment to install this kit.
- Assemble collar on the top of the conductor as shown and tighten securely with button head socket screw (.25-20 x 3/8" [9.5 mm] long) and washer to 100 in-lbs (11.3 Nm).
- Slide the terminal shield into position on the end of the circuit breaker.
- Use the (6-19 x 3/8" [9.5 mm] long) high-low screws provided to secure the shield in place. The line end uses 3 screws and the load end uses 2 screws.
- Apply 300 MCM terminal kit label to top of breaker.

Wire Range 6 to 300 MCM CU-AL. Tighten to 275 in-lbs (31.1 N·m).

Metric Wire Range 16 mm² to 150 mm² CU-AL. Tighten to 31.1 N·m (275 in-lbs).

⚠ CAUTION

HAZARDOUS VOLTAGE TERMINAL SHIELD MUST BE INSTALLED WHEN USING THE EXTENDED LUG. TERMINAL MUST BE MOUNTED ON TOP OF CONDUCTOR AND SCREW HEAD UNDERNEATH THE CONDUCTOR TO MAINTAIN ELECTRICAL CLEARANCES.



Instructions for F-Frame 300 MCM Terminal Kit,
Catalog No. 3TA225FDRF. For Use on Series C F-Frame Circuit
Breakers, Molded Case Switches, and Motor Circuit Protectors.

Instruction Leaflet IL012030EN
Effective November 2013

Notes:

The instructions for installation, testing, maintenance, or repair herein are provided for the use of the product in general commercial applications and may not be appropriate for use in nuclear applications. Additional instructions may be available upon specific request to replace, amend, or supplement these instructions to qualify them for use with the product in safety-related applications in a nuclear facility.

This Instruction Booklet is published solely for information purposes and should not be considered all-inclusive. If further information is required, you should consult an authorized Eaton sales representative.

The sale of the product shown in this literature is subject to the terms and conditions outlined in appropriate Eaton selling policies or other contractual agreement between the parties. This literature is not intended to and does not enlarge or add to any such contract. The sole source governing the rights and remedies of any purchaser of this equipment is the contract between the purchaser and Eaton.

NO WARRANTIES, EXPRESSED OR IMPLIED, INCLUDING WARRANTIES OF FITNESS FOR A PARTICULAR PURPOSE OR MERCHANTABILITY, OR WARRANTIES ARISING FROM COURSE OF DEALING OR USAGE OF TRADE, ARE MADE REGARDING THE INFORMATION, RECOMMENDATIONS, AND DESCRIPTIONS CONTAINED HEREIN.

In no event will Eaton be responsible to the purchaser or user in contract, in tort (including negligence), strict liability or otherwise for any special, indirect, incidental or consequential damage or loss whatsoever, including but not limited to damage or loss of use of equipment, plant or power system, cost of capital, loss of power, additional expenses in the use of existing power facilities, or claims against the purchaser or user by its customers resulting from the use of the information, recommendations and description contained herein.

Eaton
Electrical Sector
1000 Eaton Boulevard
Cleveland, OH 44122
United States
877-ETN-CARE (877-386-2273)
Eaton.com

© 2013 Eaton
All Rights Reserved
Printed in USA
Publication No. IL012030EN / TBG01110
Part No. IL012030ENH01
November 2013