



## Instructions for Padlockable Handle Lock Hasp Installation on F-Frame Series C Circuit Breakers and Molded Case Switches



### WARNING

**DO NOT ATTEMPT TO INSTALL OR PERFORM MAINTENANCE ON EQUIPMENT WHILE IT IS ENERGIZED. DEATH, SEVERE PERSONAL INJURY, OR SUBSTANTIAL PROPERTY DAMAGE CAN RESULT FROM CONTACT WITH ENERGIZED EQUIPMENT. ALWAYS VERIFY THAT NO VOLTAGE IS PRESENT BEFORE PROCEEDING WITH THE TASK, AND ALWAYS FOLLOW GENERALLY ACCEPTED SAFETY PROCEDURES.**

**CUTLER-HAMMER IS NOT LIABLE FOR THE MISAPPLICATION OR MISINSTALLATION OF ITS PRODUCTS.**

The user is cautioned to observe all recommendations, warnings, and cautions relating to the safety of personnel and equipment, as well as all general and local health and safety laws, codes, and procedures.

The recommendations and information contained herein are based on Cutler-Hammer experience and judgement, but should not be considered to be all-inclusive or covering every application or circumstance which may arise. If any questions arise, contact Cutler-Hammer for further information or instructions.

### 1. INTRODUCTION

#### General Information

The padlockable handle lock hasp (Fig. 1-1) is used to externally lock the circuit breaker handle in the ON or OFF position. Safety is ensured since trip-free operation lets the circuit breaker trip when the handle is locked in the ON position. (Circuit breaker will not indicate trip position.) The hasp is mounted on the circuit breaker cover in the left- or right-pole position. The hasp will take up to three padlock shackles, each with a maximum diameter of 1/4 inch (6 mm).

The padlockable handle lock hasp was evaluated by Underwriter Laboratories, Inc. as an unlisted component for field installation under UL File E64983. It consists of a

mounting plate connected by a hinge to a lock plate. The mounting plate includes the padlock staple. When the mounting plate is attached to the circuit breaker cover, the lock plate hinges over the mounting plate and staple. A tab on the lock plate stops the circuit breaker handle from moving.

This instruction leaflet (IL) gives detailed procedures for installing the padlockable handle lock hasp.

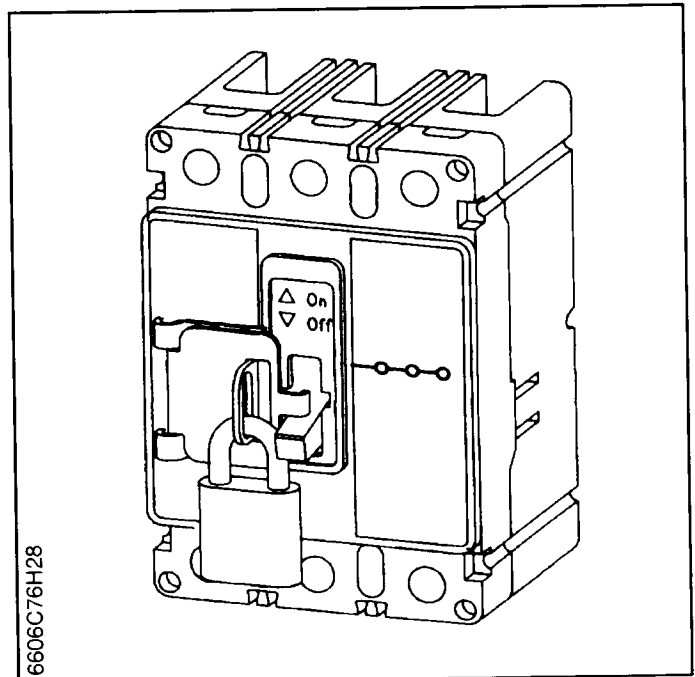


Fig. 1-1 Padlockable Handle Lock Hasp Installed on F-Frame Circuit Breaker

### 2. INSTALLATION

The padlockable handle lock hasp can be mounted in the right-pole position of a 2-pole circuit breaker or in the left- or right-pole positions of 3- and 4-pole circuit breakers. A padlockable handle lock hasp should normally be mounted on the circuit breaker cover before the circuit breaker is installed in an electrical system. To mount the padlockable handle lock hasp, perform the following steps.



## WARNING

**BEFORE MOUNTING THE PADLOCKABLE HANDLE LOCK HASP ON A CIRCUIT BREAKER INSTALLED IN AN ELECTRICAL SYSTEM, MAKE SURE THE CIRCUIT BREAKER IS SWITCHED TO THE OFF POSITION AND THAT THERE IS NO VOLTAGE PRESENT WHERE WORK IS TO BE PERFORMED. SPECIAL ATTENTION SHOULD BE PAID TO REVERSE FEED APPLICATIONS TO ENSURE NO VOLTAGE IS PRESENT. THE VOLTAGES IN ENERGIZED EQUIPMENT CAN CAUSE DEATH OR SEVERE PERSONAL INJURY.**

**Note:** When the padlockable handle lock hasp is mounted on the circuit breaker cover, part of the nameplate information is covered. Before mounting the hasp, make sure that the information is recorded for future reference. A blank nameplate is supplied to record hidden information. The nameplate should be placed on the side of the circuit breaker or on a permanent surface adjacent to the circuit breaker.

The following steps describe how to mount the padlockable handle lock hasp in the right-pole position of the circuit breaker. The same basic procedure is used for mounting the hasp in the left-pole position.

- 2-1. Mounting holes are located in the cover under the nameplate (Fig. 2-1).
- 2-2. Using a pencil or similar pointed tool, punch through the nameplate covering holes 4 and 5. (2 and 3 for left-hand mounting.)

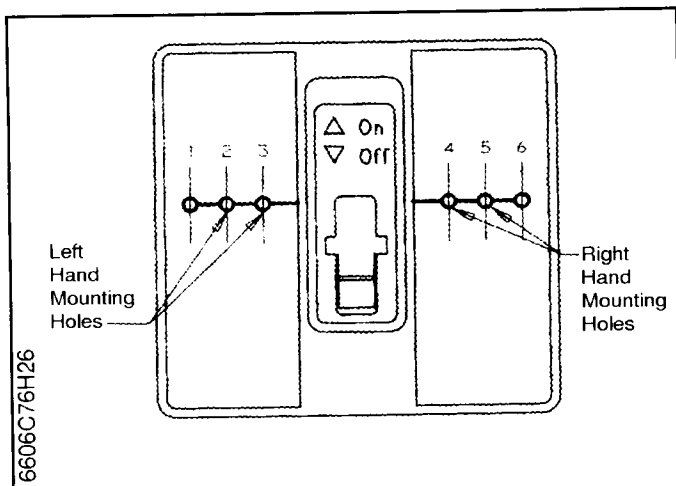


Fig. 2-1 Mounting Hole Locations

- 2-3. For right-hand mounting, letter R on mounting plate must be adjacent to the circuit breaker handle when the handle is in the ON position. (See Fig. 2-2.) For left-hand mounting, letter L must be adjacent to the circuit breaker handle when in the ON position.
- 2-4. Position mounting plate on cover. Line up mounting holes. (See Fig. 2-2.)



## CAUTION

**FIRMLY TIGHTEN BUT DO NOT OVERTIGHTEN MOUNTING PLATE SCREWS. OVERTIGHTENING SCREWS CAN DAMAGE THE CIRCUIT BREAKER COVER. USE ONLY HARDWARE PROVIDED. DO NOT SUBSTITUTE.**

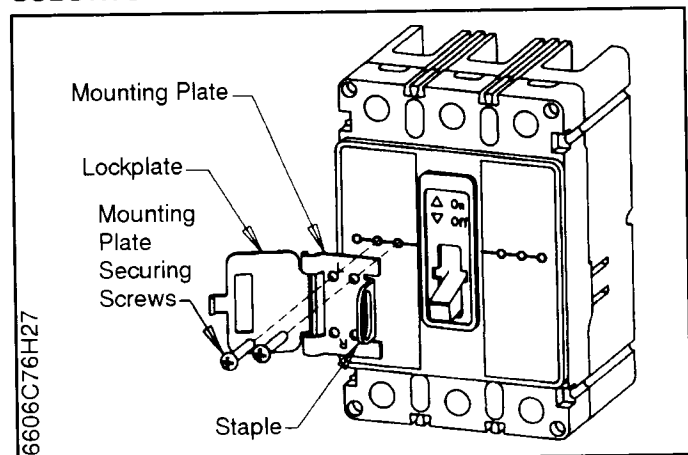


Fig. 2-2 Padlockable Handle Lock Hasp Installation

- 2-5. Secure mounting plate with two special #8 (4.2 mm) Phillips head thread cutting screws provided. Do not use substitute hardware.
- 2-6. Move circuit breaker handle to the OFF position. Hinge lockplate over staple. Check that padlock shackles fit through staple and tab on lockplate blocks path of circuit breaker handle.
- 2-7. Remove padlock. Hinge lockplate away from circuit breaker handle. Move circuit breaker handle to the ON position. Hinge lockplate over shackle and check that tab blocks path of circuit breaker handle.