



Instructions for Installation of 24 Vdc, 48 Vdc, 125 Vdc and 120 Vac Motor Operator on FDB, FD, HFD, FDC, FW, HFW, AND FWC Circuit Breakers and Molded Case Switches



WARNING

DO NOT ATTEMPT TO INSTALL OR PERFORM MAINTENANCE ON EQUIPMENT WHILE IT IS ENERGIZED. DEATH, SEVERE PERSONAL INJURY, OR SUBSTANTIAL PROPERTY DAMAGE CAN RESULT FROM CONTACT WITH ENERGIZED EQUIPMENT. ALWAYS VERIFY THAT NO VOLTAGE IS PRESENT BEFORE PROCEEDING WITH TASK, AND ALWAYS FOLLOW GENERALLY ACCEPTED SAFETY PROCEDURES.

CUTLER-HAMMER IS NOT LIABLE FOR THE MISAPPLICATION OR MISINSTALLATION OF ITS PRODUCTS.

The user is cautioned to observe all recommendations, warnings, and cautions relating to the safety of personnel and equipment as well as all general and local health and safety laws, codes, and procedures.

The recommendations and information contained herein are based on Cutler-Hammer experience and judgment, but should not be considered to be all-inclusive or covering every application or circumstance which may arise. If any questions arise, contact Cutler-Hammer for further information or instruction.

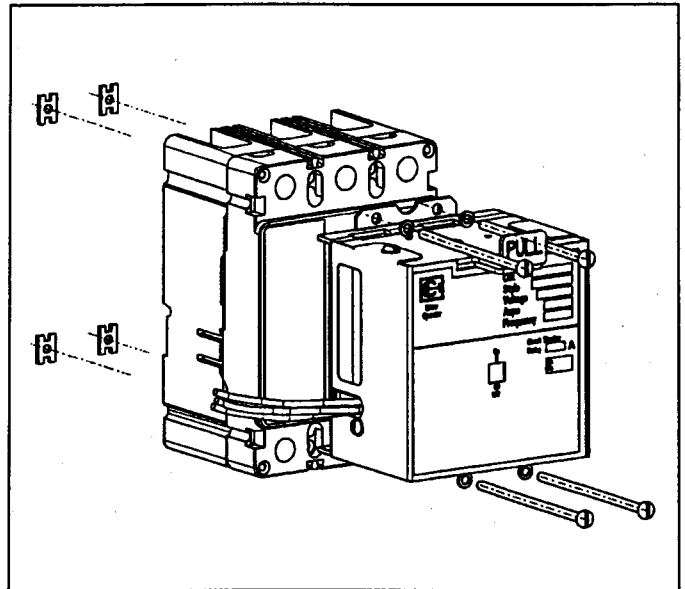


Figure 1-2 Mounting Motor Operator to Circuit Breaker



WARNING

BEFORE MOUNTING A MOTOR OPERATOR ON A CIRCUIT BREAKER INSTALLED IN AN ELECTRICAL SYSTEM, MAKE SURE THE CIRCUIT BREAKER IS SWITCHED TO THE OFF POSITION AND THAT THERE IS NO VOLTAGE PRESENT WHERE WORK IS TO BE PERFORMED. SPECIAL ATTENTION SHOULD BE PAID TO REVERSE FEED APPLICATIONS TO ENSURE NO VOLTAGE IS PRESENT. THE VOLTAGES IN ENERGIZED EQUIPMENT CAN CAUSE INJURY OR DEATH.

The Motor Operator contains TWO interlock switches, and will be disabled if:

- The Cover is removed
- The Locktab is aligned with the "PULL" tab (in the closed position)
- Or Both

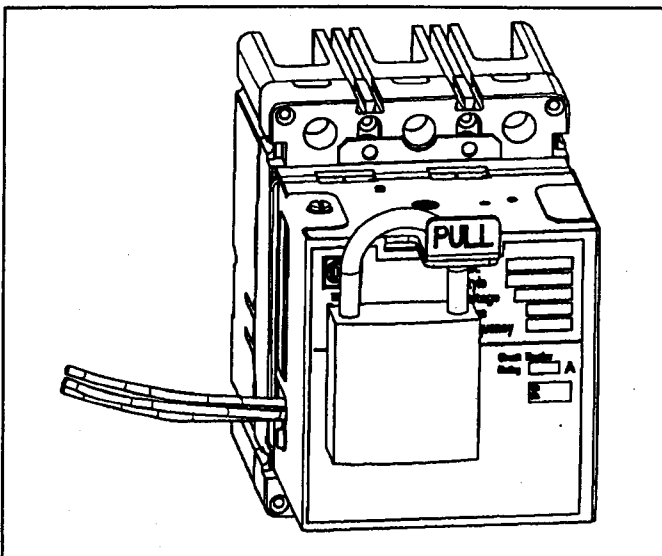


Figure 1-1 Motor Operator with Lock Installed on F-Frame Circuit Breaker

NOTICE

A shaft diameter of at least 0.250" is required to lock out the motor operator.

If it is necessary to operate the motor operator while the cover is removed, activate the switch which is attached to the carriage frame with a non-metallic object.

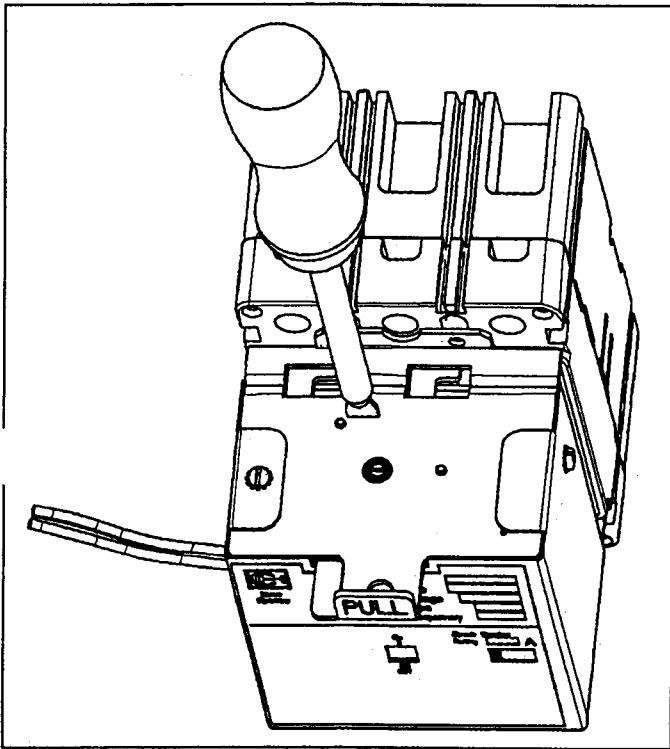


Figure 1-3 Manual Operation of Motor Operator Using Screw Driver

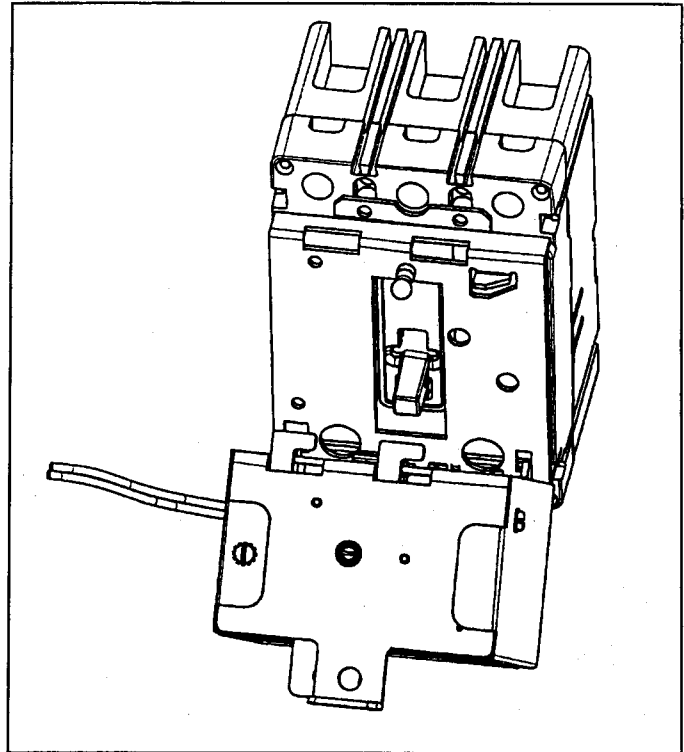


Figure 1-4 Removing Motor Operator

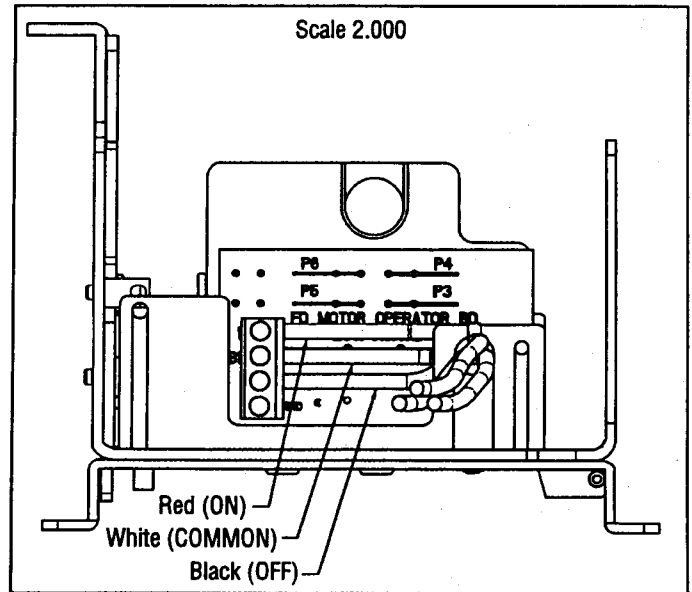


Figure 1-5 Wiring Diagram

Cutler-Hammer
Pittsburgh, Pennsylvania U.S.A.

Effective 9/98 (ISI)
Style 6606C70H02
Printed in U.S.A.

