

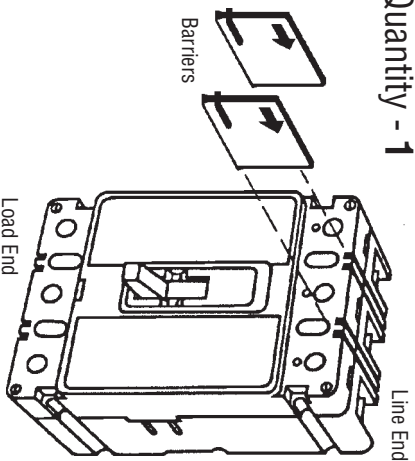


**Cutler-Hammer
Series C
Circuit Breaker
Accessory**

For F-Frame

Interphase Barrier Kit

**Cat. No. IPPB1
Style No. 4220B10G01
Quantity - 1**



Package Of 2 Barriers
Barriers May Be Assembled To Either Line End Or Load End.
Instructions For Assembly:
• Slide Barriers Into Creepage Grooves Of Circuit Breaker.



FILE = 4210B72H05/4220B10G01 BGART
DATE = 07-20-98

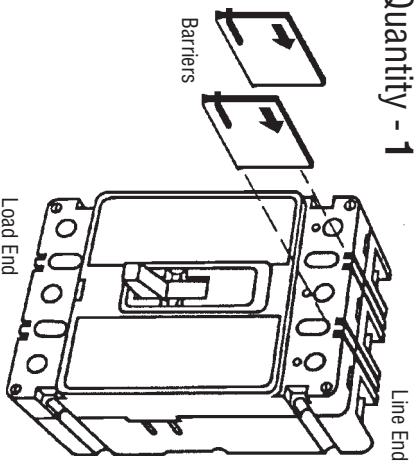


**Cutler-Hammer
Series C
Circuit Breaker
Accessory**

For F-Frame

Interphase Barrier Kit

**Cat. No. IPPB1
Style No. 4220B10G01
Quantity - 1**



Package Of 2 Barriers
Barriers May Be Assembled To Either Line End Or Load End.
Instructions For Assembly:
• Slide Barriers Into Creepage Grooves Of Circuit Breaker.

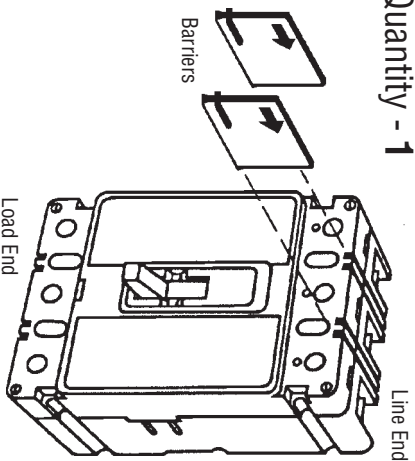


**Cutler-Hammer
Series C
Circuit Breaker
Accessory**

For F-Frame

Interphase Barrier Kit

**Cat. No. IPPB1
Style No. 4220B10G01
Quantity - 1**



Package Of 2 Barriers
Barriers May Be Assembled To Either Line End Or Load End.
Instructions For Assembly:
• Slide Barriers Into Creepage Grooves Of Circuit Breaker.



+

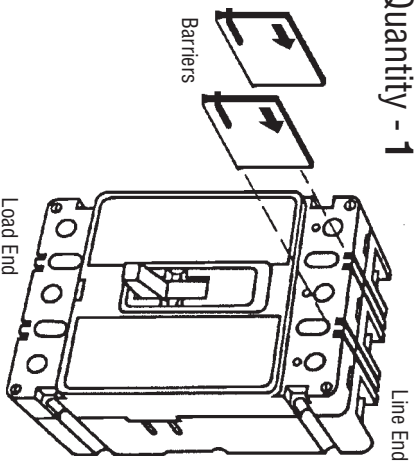


**Cutler-Hammer
Series C
Circuit Breaker
Accessory**

For F-Frame

Interphase Barrier Kit

**Cat. No. IPPB1
Style No. 4220B10G01
Quantity - 1**



Package Of 2 Barriers
Barriers May Be Assembled To Either Line End Or Load End.
Instructions For Assembly:
• Slide Barriers Into Creepage Grooves Of Circuit Breaker.

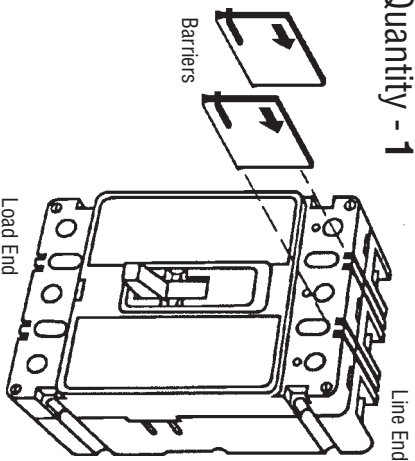


**Cutler-Hammer
Series C
Circuit Breaker
Accessory**

For F-Frame

Interphase Barrier Kit

**Cat. No. IPPB1
Style No. 4220B10G01
Quantity - 1**



Package Of 2 Barriers
Barriers May Be Assembled To Either Line End Or Load End.
Instructions For Assembly:
• Slide Barriers Into Creepage Grooves Of Circuit Breaker.



-

Cutler-Hammer
PDGD
Pittsburgh, PA
4210 872 H05

Cutler-Hammer
PDGD
Pittsburgh, PA
4210 872 H05