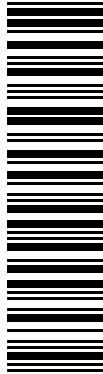
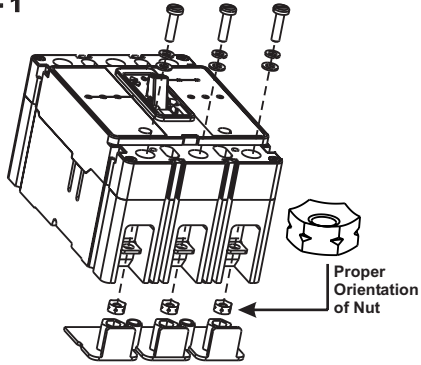


EAT•N

Cutler-Hammer

Circuit Breaker
Accessory

For F-Frame

3-POLE F-FRAME END CAP KIT - METRICCat. No. - KPEKM1
Style No. - 6606C63G04
Quantity - 1

1 07 82114 29184 6

INSTALL END CAP PRIOR TO BREAKER INSTALLATION.

Instructions For Assembly:

Insert Nuts into End Cap with Flat Surface of Nut Toward
Plastic End Cap.Place End Cap on Breaker, May be Applied to Line or Load
End.

Install Breaker.

Fasten Conductors (Install Bolted Connections).

Torque Terminal Screws to 34-38 lb-in (4.0-4.4 N-m).

Cutler-Hammer Business
Pittsburgh, PA.

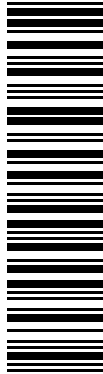
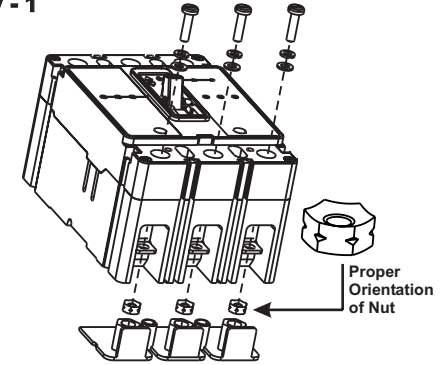
4206 B07 H14

EAT•N

Cutler-Hammer

Circuit Breaker
Accessory

For F-Frame

3-POLE F-FRAME END CAP KIT - METRICCat. No. - KPEKM1
Style No. - 6606C63G04
Quantity - 1

1 07 82114 29184 6

INSTALL END CAP PRIOR TO BREAKER INSTALLATION.

Instructions For Assembly:

Insert Nuts into End Cap with Flat Surface of Nut Toward
Plastic End Cap.Place End Cap on Breaker, May be Applied to Line or Load
End.

Install Breaker.

Fasten Conductors (Install Bolted Connections).

Torque Terminal Screws to 34-38 lb-in (4.0-4.4 N-m).

Cutler-Hammer Business
Pittsburgh, PA.

4206 B07 H14

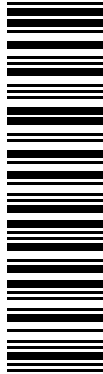
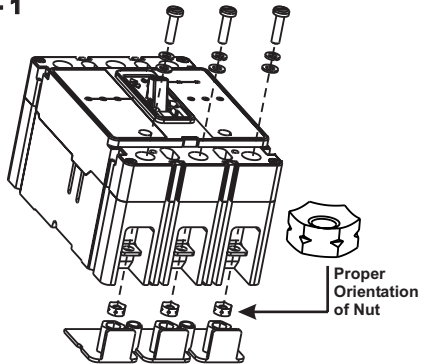
ECN # FD-10254 4206B07H14

EAT•N

Cutler-Hammer

Circuit Breaker
Accessory

For F-Frame

3-POLE F-FRAME END CAP KIT - METRICCat. No. - KPEKM1
Style No. - 6606C63G04
Quantity - 1

1 07 82114 29184 6

INSTALL END CAP PRIOR TO BREAKER INSTALLATION.

Instructions For Assembly:

Insert Nuts into End Cap with Flat Surface of Nut Toward
Plastic End Cap.Place End Cap on Breaker, May be Applied to Line or Load
End.

Install Breaker.

Fasten Conductors (Install Bolted Connections).

Torque Terminal Screws to 34-38 lb-in (4.0-4.4 N-m).

Cutler-Hammer Business
Pittsburgh, PA.

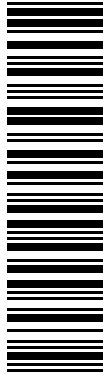
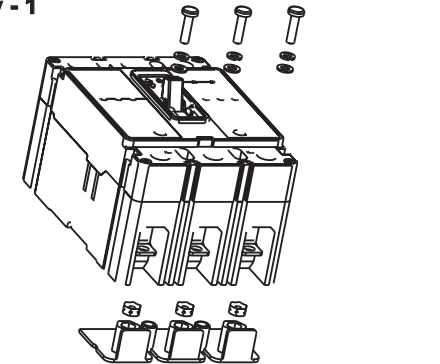
4206 B07 H14

EAT•N

Cutler-Hammer

Circuit Breaker
Accessory

For F-Frame

3-POLE F-FRAME END CAP KIT - METRICCat. No. - KPEKM1
Style No. - 6606C63G04
Quantity - 1

1 07 82114 29184 6

INSTALL END CAP PRIOR TO BREAKER INSTALLATION.

Instructions For Assembly:

Insert Nuts into End Cap with Flat Surface of Nut Toward
Plastic End Cap.Place End Cap on Breaker, May be Applied to Line or Load
End.

Install Breaker.

Fasten Conductors (Install Bolted Connections).

Torque Terminal Screws to 34-38 lb-in (4.0-4.4 N-m).

Cutler-Hammer Business
Pittsburgh, PA.

4206 B07 H14