

EAT•N

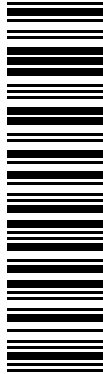
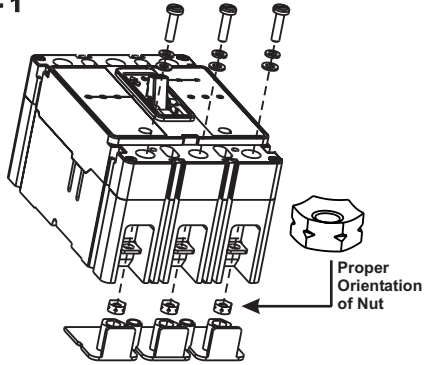
Cutler-Hammer

3-POLE F-FRAME END CAP KIT

Cat. No. - KPEK1
 Style No. - 6606C63G03
 Quantity - 1

Circuit Breaker
Accessory

For F-Frame



1 07 82114 29183 9

INSTALL END CAP PRIOR TO BREAKER INSTALLATION.

Instructions For Assembly:

Insert Nuts into End Cap with Flat Surface of Nut Toward Plastic End Cap.
 Place End Cap on Breaker, May be Applied to Line or Load End.
 Install Breaker.
 Fasten Conductors (Install Bolted Connections).
 Torque Terminal Screws to 34-38 lb-in (4.0-4.4 N-m).

Cutler-Hammer Business
Pittsburgh, PA.

4206 B07 H13

EAT•N

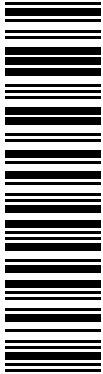
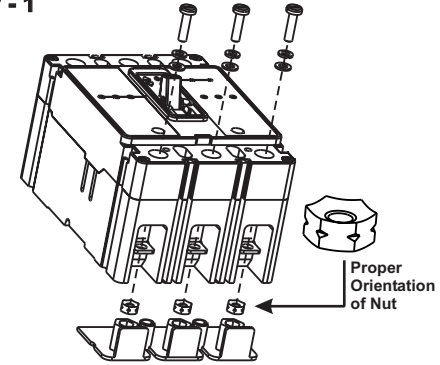
Cutler-Hammer

3-POLE F-FRAME END CAP KIT

Cat. No. - KPEK1
 Style No. - 6606C63G03
 Quantity - 1

Circuit Breaker
Accessory

For F-Frame



1 07 82114 29183 9

INSTALL END CAP PRIOR TO BREAKER INSTALLATION.

Instructions For Assembly:

Insert Nuts into End Cap with Flat Surface of Nut Toward Plastic End Cap.
 Place End Cap on Breaker, May be Applied to Line or Load End.
 Install Breaker.
 Fasten Conductors (Install Bolted Connections).
 Torque Terminal Screws to 34-38 lb-in (4.0-4.4 N-m).

Cutler-Hammer Business
Pittsburgh, PA.

4206 B07 H13

ECN # FD-10254 4206B07H13

EAT•N

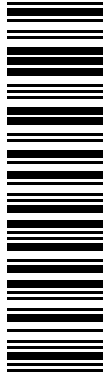
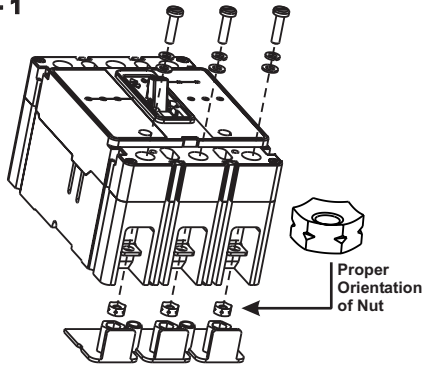
Cutler-Hammer

3-POLE F-FRAME END CAP KIT

Cat. No. - KPEK1
 Style No. - 6606C63G03
 Quantity - 1

Circuit Breaker
Accessory

For F-Frame



1 07 82114 29183 9

INSTALL END CAP PRIOR TO BREAKER INSTALLATION.

Instructions For Assembly:

Insert Nuts into End Cap with Flat Surface of Nut Toward Plastic End Cap.
 Place End Cap on Breaker, May be Applied to Line or Load End.
 Install Breaker.
 Fasten Conductors (Install Bolted Connections).
 Torque Terminal Screws to 34-38 lb-in (4.0-4.4 N-m).

Cutler-Hammer Business
Pittsburgh, PA.

4206 B07 H13

EAT•N

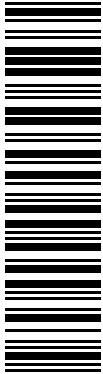
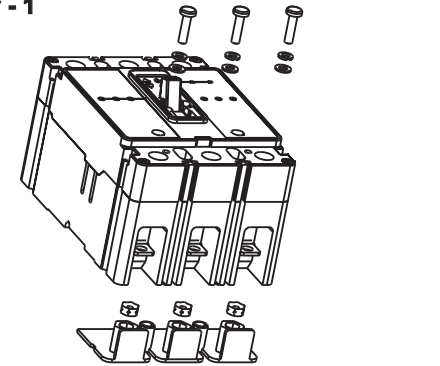
Cutler-Hammer

3-POLE F-FRAME END CAP KIT

Cat. No. - KPEK1
 Style No. - 6606C63G03
 Quantity - 1

Circuit Breaker
Accessory

For F-Frame



1 07 82114 29183 9

INSTALL END CAP PRIOR TO BREAKER INSTALLATION.

Instructions For Assembly:

Insert Nuts into End Cap with Flat Surface of Nut Toward Plastic End Cap.
 Place End Cap on Breaker, May be Applied to Line or Load End.
 Install Breaker.
 Fasten Conductors (Install Bolted Connections).
 Torque Terminal Screws to 34-38 lb-in (4.0-4.4 N-m).

Cutler-Hammer Business
Pittsburgh, PA.

4206 B07 H13