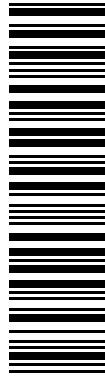
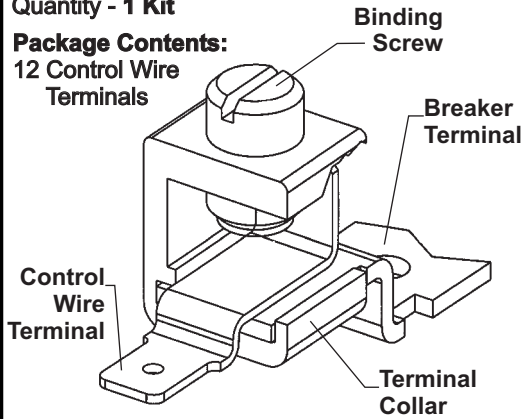


EATON

Cutler-Hammer

Circuit Breaker
AccessoryFor G-Frame
E-FrameCutler-Hammer Business
Pittsburgh, PA.

5652B39H02

CONTROL WIRE TERMINALCat. No. - GCWTK
Style No. - 5652B38G01
Quantity - 1 Kit**Package Contents:**
12 Control Wire
Terminals

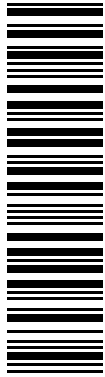
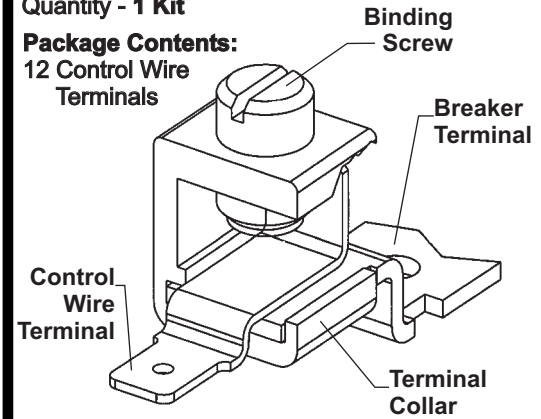
1 07 86679 09669 4

G-Frame For Use With Steel or Aluminum Collars.
E-Frame For Use With Collar TA125E, TA100E & T125EF.Instructions For Assembly -
- Position Control Wire Terminal in Collar as Shown.
- Install Conductor Cable.**EATON**

Cutler-Hammer

Circuit Breaker
AccessoryFor G-Frame
E-FrameCutler-Hammer Business
Pittsburgh, PA.

5652B39H02

CONTROL WIRE TERMINALCat. No. - GCWTK
Style No. - 5652B38G01
Quantity - 1 Kit**Package Contents:**
12 Control Wire
Terminals

1 07 86679 09669 4

G-Frame For Use With Steel or Aluminum Collars.
E-Frame For Use With Collar TA125E, TA100E & T125EF.Instructions For Assembly -
- Position Control Wire Terminal in Collar as Shown.
- Install Conductor Cable.

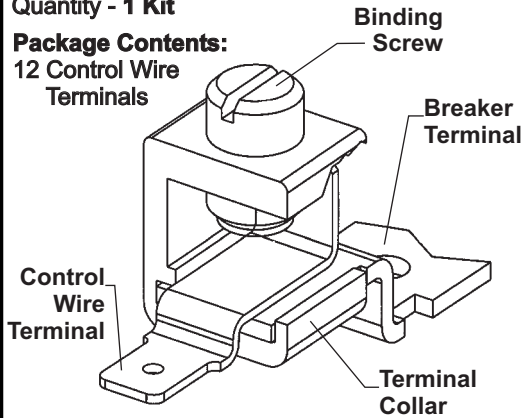
ECN # NGA-0634 5652B39H02

EATON

Cutler-Hammer

Circuit Breaker
AccessoryFor G-Frame
E-FrameCutler-Hammer Business
Pittsburgh, PA.

5652B39H02

CONTROL WIRE TERMINALCat. No. - GCWTK
Style No. - 5652B38G01
Quantity - 1 Kit**Package Contents:**
12 Control Wire
Terminals

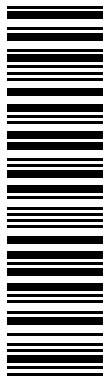
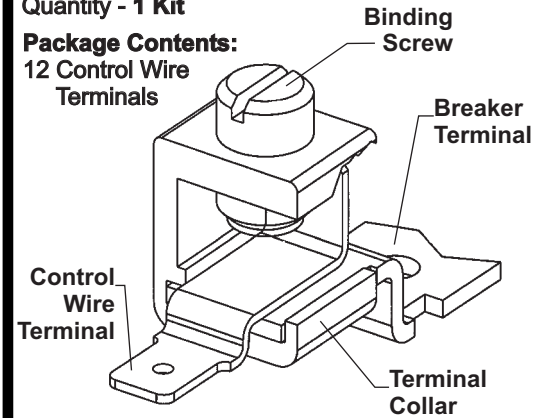
1 07 86679 09669 4

G-Frame For Use With Steel or Aluminum Collars.
E-Frame For Use With Collar TA125E, TA100E & T125EF.Instructions For Assembly -
- Position Control Wire Terminal in Collar as Shown.
- Install Conductor Cable.**EATON**

Cutler-Hammer

Circuit Breaker
AccessoryFor G-Frame
E-FrameCutler-Hammer Business
Pittsburgh, PA.

5652B39H02

CONTROL WIRE TERMINALCat. No. - GCWTK
Style No. - 5652B38G01
Quantity - 1 Kit**Package Contents:**
12 Control Wire
Terminals

1 07 86679 09669 4

G-Frame For Use With Steel or Aluminum Collars.
E-Frame For Use With Collar TA125E, TA100E & T125EF.Instructions For Assembly -
- Position Control Wire Terminal in Collar as Shown.
- Install Conductor Cable.