

Series C molded-case circuit breakers K-Frame

Electronic 70–400A, thermal-magnetic 100–400A

Contents

Description	Page
Series C® Types DK, KD, KDB, HKD, KDC, CKD, CHKD Two- and Three-Pole Circuit Breakers	2
Series C Types KD, KDB, HKD, KDC Four-Pole Circuit Breakers	4



Powering Business Worldwide

Type KD Two- and Three-Pole

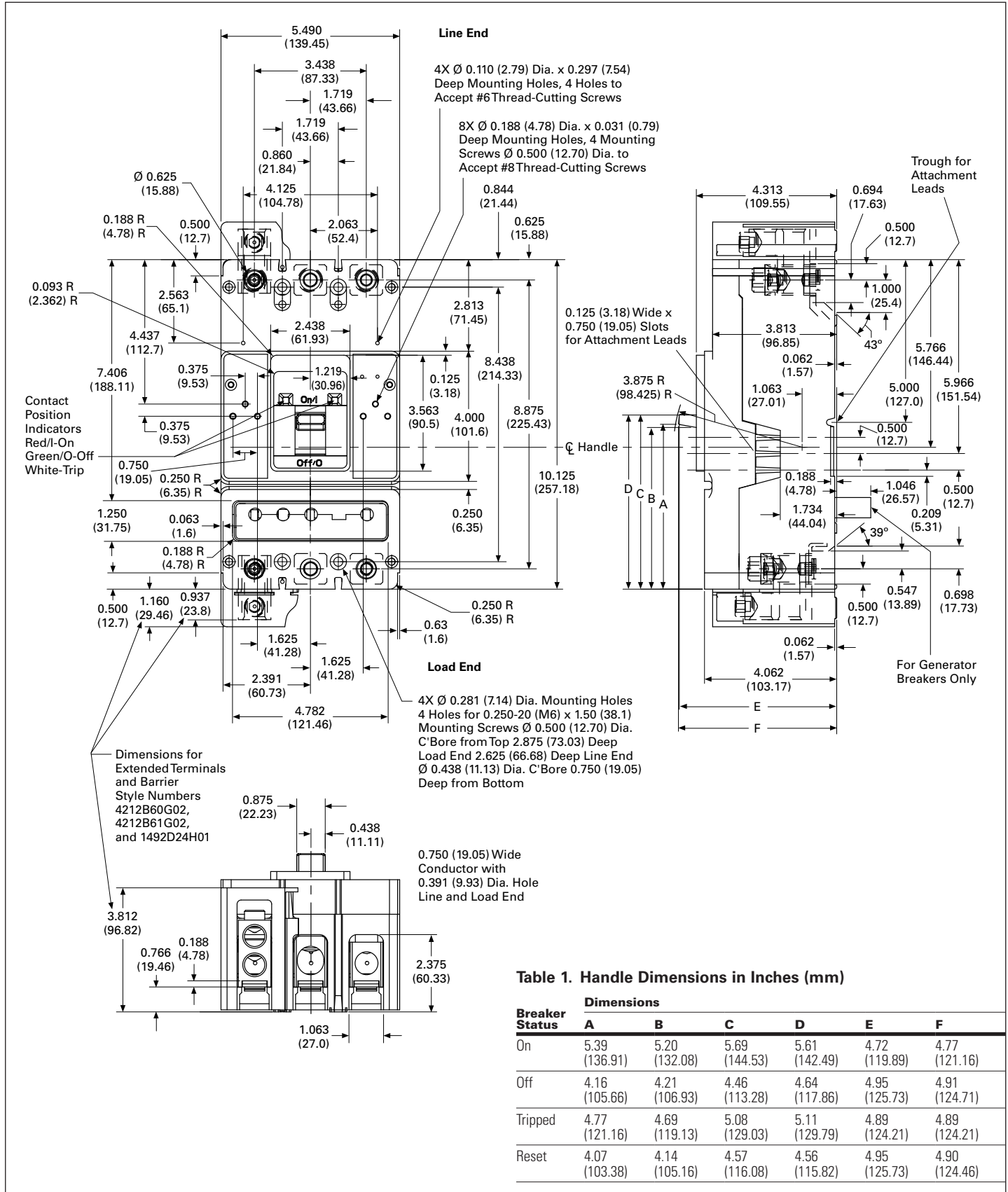


Figure 1. Series C Type KD Two- and Three-Pole Breakers—Reproduced from Drawing 1492D63, Dimensions in Inches (mm)

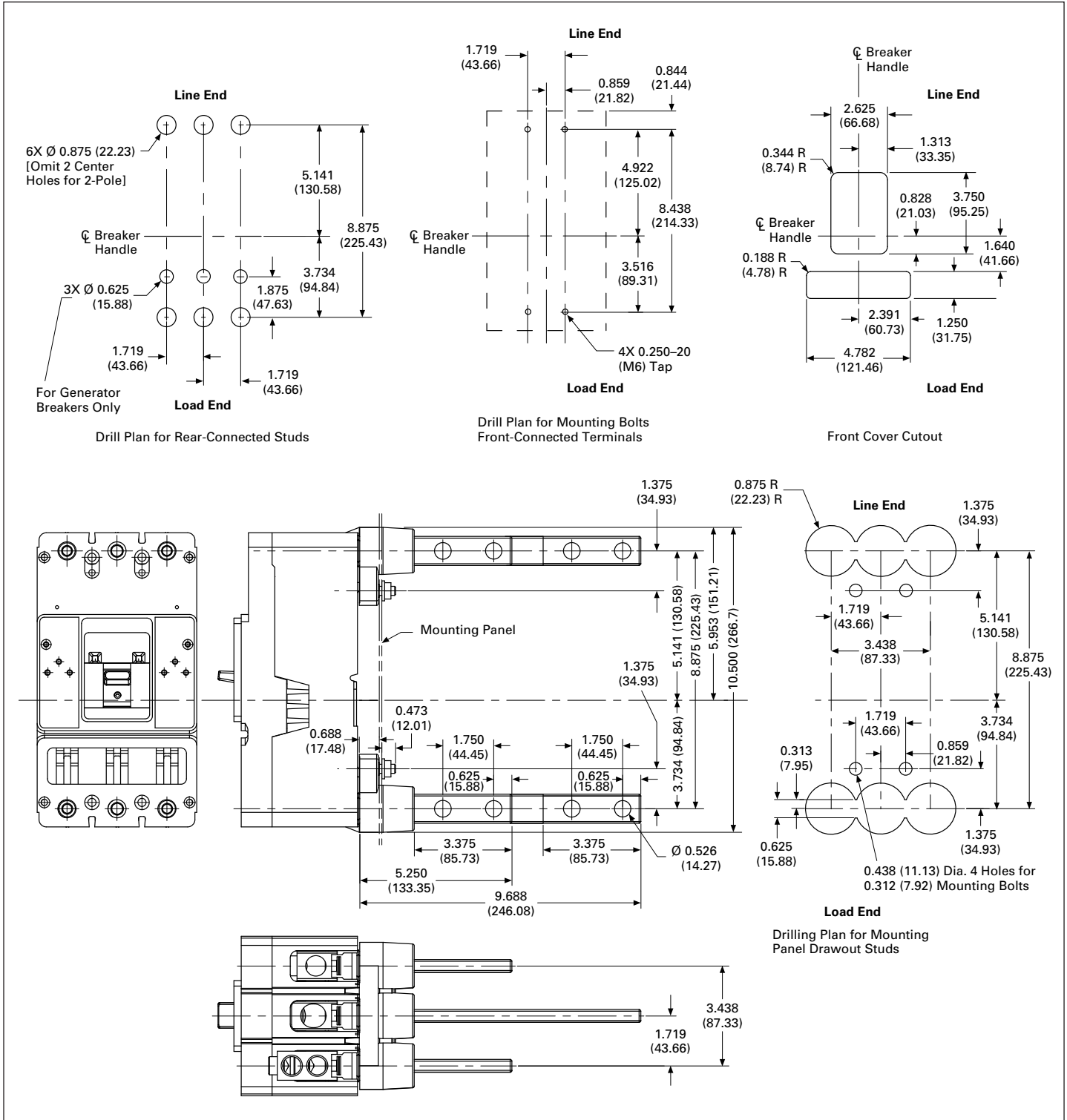


Figure 2. Series C Type KD Two- and Three-Pole Breakers, Drilling Plans—Reproduced from Drawing 1492D63, Dimensions in Inches (mm)

Type KD Four-Pole

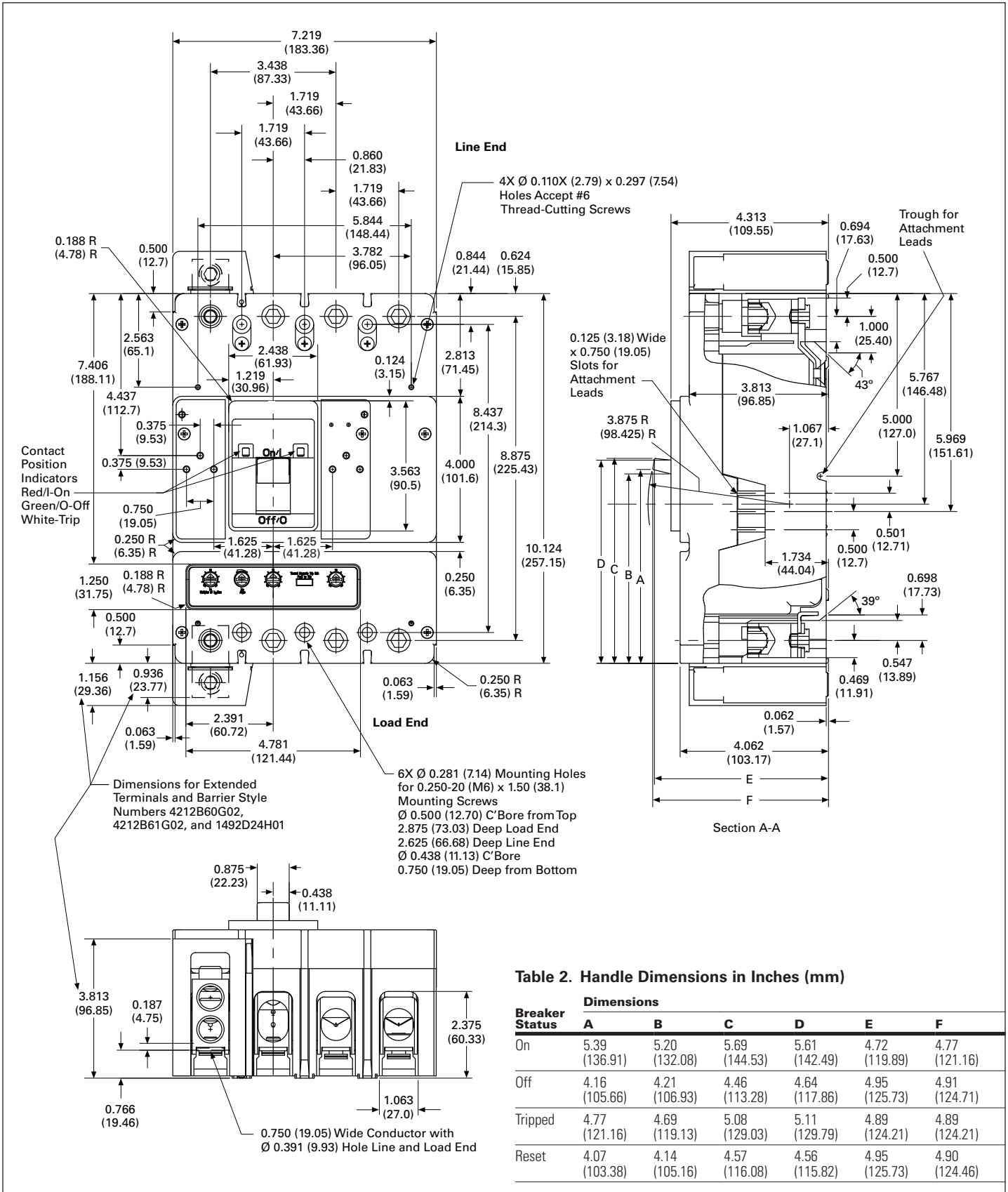


Figure 3. Series C Type KD Four-Pole Breakers—Reproduced from Drawing 1492D64, Dimensions in Inches (mm)

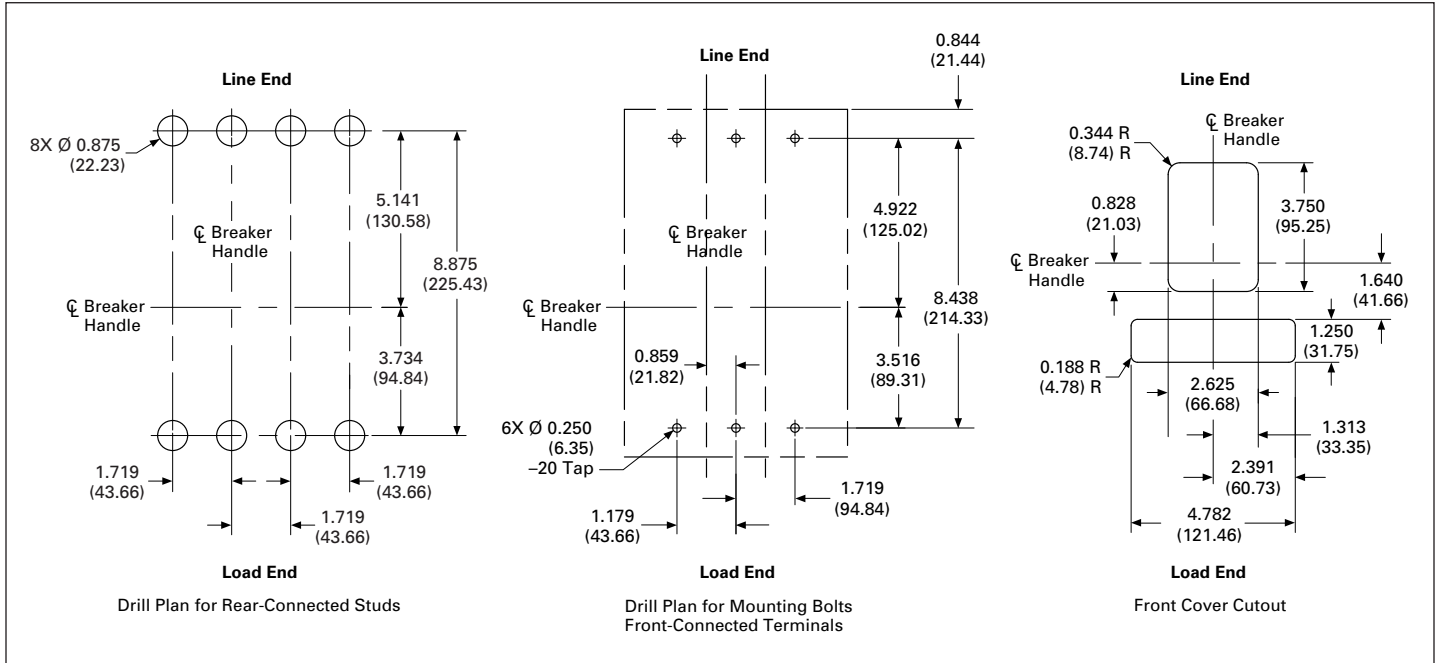


Figure 4. Series C Type KD Four-Pole Breakers, Drilling Plans—Reproduced from Drawing 1492D64, Dimensions in Inches (mm)

Eaton
1000 Eaton Boulevard
Cleveland, OH 44122
United States
Eaton.com

© 2013 Eaton
All Rights Reserved
Printed in USA
Publication No. AD29170K / Z13591
May 2013