



Powering Business Worldwide

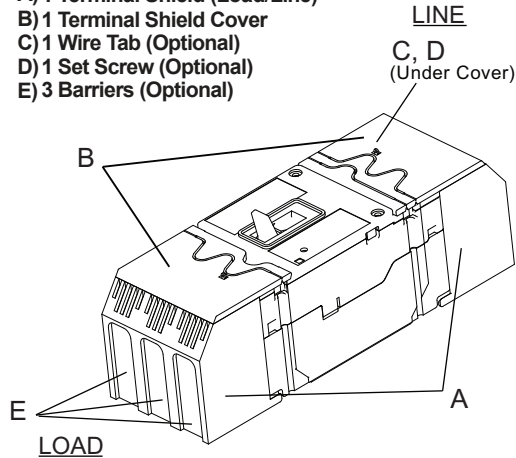
Power Defense™

For PDG1 Frame

IL012174EN H01

PDG1 Terminal Shield/Cover IP30, 3P
 Cat. Number- PDG1XTC3P
 Style No - 66A1590G30
 Quantity - 1

- Package Content:
 1 Warning Label
 A) 1 Terminal Shield (Load/Line)
 B) 1 Terminal Shield Cover
 C) 1 Wire Tab (Optional)
 D) 1 Set Screw (Optional)
 E) 3 Barriers (Optional)



Powering Business Worldwide

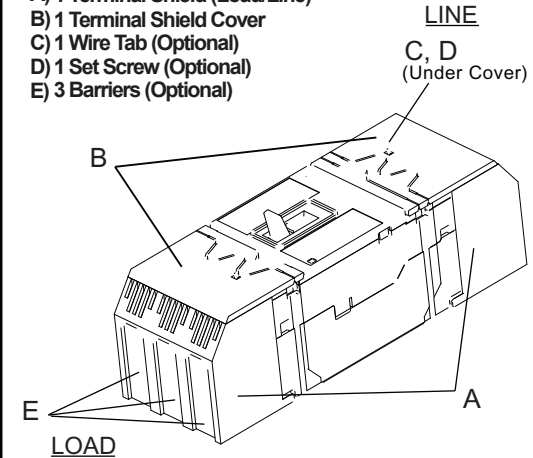
Power Defense™

For PDG1 Frame

IL012174EN H01

PDG1 Terminal Shield/Cover IP30, 3P
 Cat. Number- PDG1XTC3P
 Style No - 66A1590G30
 Quantity - 1

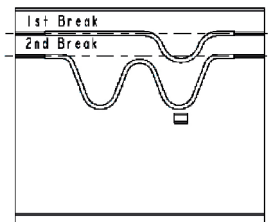
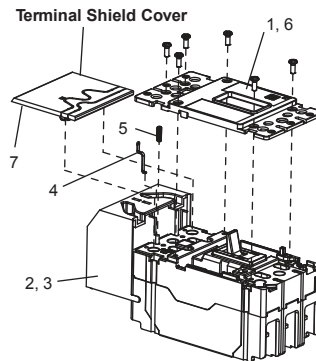
- Package Content:
 1 Warning Label
 A) 1 Terminal Shield (Load/Line)
 B) 1 Terminal Shield Cover
 C) 1 Wire Tab (Optional)
 D) 1 Set Screw (Optional)
 E) 3 Barriers (Optional)



TERMINAL SHIELD KIT - 3 POLE (EXPLODED VIEW)

Read Warning label before proceeding

1. Remove Secondary Cover (6 screws).
2. Insert Barriers in slots (optional).
3. Slide the Terminal Shield down through the breaker slots.
4. Insert Wire Tab along the Terminal Shield slot so that tab hole remains oriented at the top (optional).
5. Insert set screw to secure the wire tab into the slot and tighten to 2-4 Lb-in (0.23 - 0.45 N·m) (optional).
6. Reinstall Secondary Cover (6 screws) Tighten to 4-5 Lb-in (0.45 - 0.56 N·m).
7. Using pliers break off Terminal Shield Cover per the Breaking Chart below. Press Terminal Shield Cover into the Secondary Cover. Secure cover with Wire Seal (not included).



Terminal Shield Cover

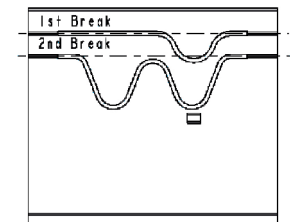
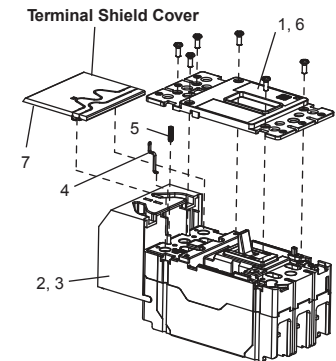
Terminal Shield Cover Breaking Chart

Accessory End	None	Flex Shaft	Motor Operator	Rotary Handle Mechanism
Line	No Break	1 st Break	2 nd Break	2 nd Break
Load	1 st Break	2 nd Break	2 nd Break	2 nd Break

TERMINAL SHIELD KIT - 3 POLE (EXPLODED VIEW)

Read Warning label before proceeding

1. Remove Secondary Cover (6 screws).
2. Insert Barriers in slots (optional).
3. Slide the Terminal Shield down through the breaker slots.
4. Insert Wire Tab along the Terminal Shield slot so that tab hole remains oriented at the top (optional).
5. Insert set screw to secure the wire tab into the slot and tighten to 2-4 Lb-in (0.23 - 0.45 N·m) (optional).
6. Reinstall Secondary Cover (6 screws) Tighten to 4-5 Lb-in (0.45 - 0.56 N·m).
7. Using pliers break off Terminal Shield Cover per the Breaking Chart below. Press Terminal Shield Cover into the Secondary Cover. Secure cover with Wire Seal (not included).



Terminal Shield Cover

Terminal Shield Cover Breaking Chart

Accessory End	None	Flex Shaft	Motor Operator	Rotary Handle Mechanism
Line	No Break	1 st Break	2 nd Break	2 nd Break
Load	1 st Break	2 nd Break	2 nd Break	2 nd Break