



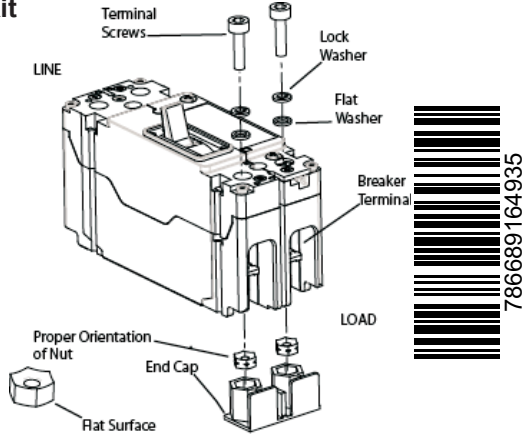
Power Defense™

Circuit Breaker Accessory

For PDG1 Frame

PDG1 Metric Screw Terminal / End Cap Kit, 125 amps, 2 poles
Cat. No. PDG1X2TS125M
Style No. 66A1592G40
Quantity - 1 Kit

Package Content:
1 End cap
2 Torque Screws
2 Lock Washers
2 Flat Washers
2 Nuts



- Disconnect Voltage and trip breaker.
- To install, place nut flat side down into End Cap, as shown and slide onto breaker base.
- Mount breaker to panel.
- Place wire terminations on top of Breaker Terminals.
- Insert Terminal Screw through washers, in order shown, and torque screws to 34-38 Lbs-In (4.0-4.4 N-m).

IL012170EN H01



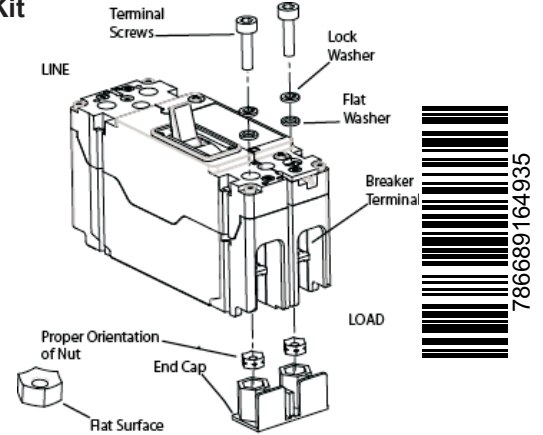
Power Defense™

Circuit Breaker Accessory

For PDG1 Frame

PDG1 Metric Screw Terminal / End Cap Kit, 125 amps, 2 poles
Cat. No. PDG1X2TS125M
Style No. 66A1592G40
Quantity - 1 Kit

Package Content:
1 End cap
2 Torque Screws
2 Lock Washers
2 Flat Washers
2 Nuts



- Disconnect Voltage and trip breaker.
- To install, place nut flat side down into End Cap, as shown and slide onto breaker base.
- Mount breaker to panel.
- Place wire terminations on top of Breaker Terminals.
- Insert Terminal Screw through washers, in order shown, and torque screws to 34-38 Lbs-In (4.0-4.4 N-m).

IL012170EN H01



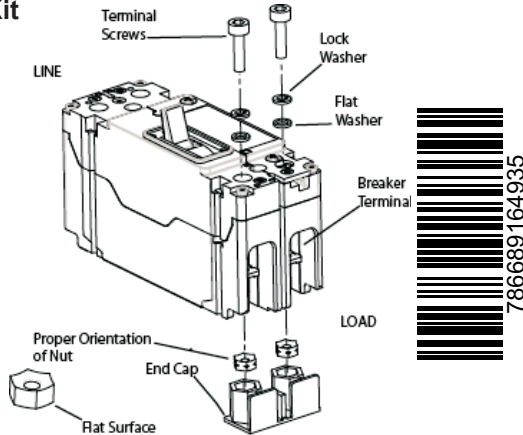
Power Defense™

Circuit Breaker Accessory

For PDG1 Frame

PDG1 Metric Screw Terminal / End Cap Kit, 125 amps, 2 poles
Cat. No. PDG1X2TS125M
Style No. 66A1592G40
Quantity - 1 Kit

Package Content:
1 End cap
2 Torque Screws
2 Lock Washers
2 Flat Washers
2 Nuts



- Disconnect Voltage and trip breaker.
- To install, place nut flat side down into End Cap, as shown and slide onto breaker base.
- Mount breaker to panel.
- Place wire terminations on top of Breaker Terminals.
- Insert Terminal Screw through washers, in order shown, and torque screws to 34-38 Lbs-In (4.0-4.4 N-m).

IL012170EN H01



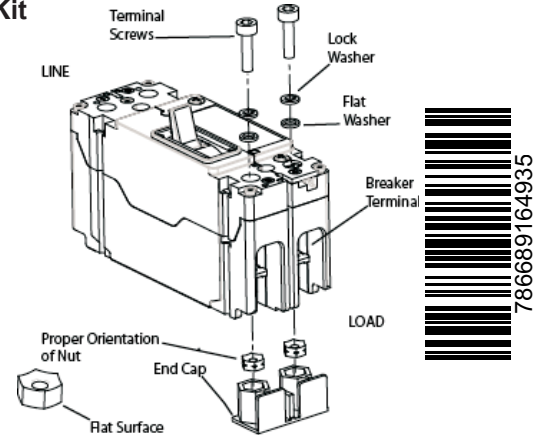
Power Defense™

Circuit Breaker Accessory

For PDG1 Frame

PDG1 Metric Screw Terminal / End Cap Kit, 125 amps, 2 poles
Cat. No. PDG1X2TS125M
Style No. 66A1592G40
Quantity - 1 Kit

Package Content:
1 End cap
2 Torque Screws
2 Lock Washers
2 Flat Washers
2 Nuts



- Disconnect Voltage and trip breaker.
- To install, place nut flat side down into End Cap, as shown and slide onto breaker base.
- Mount breaker to panel.
- Place wire terminations on top of Breaker Terminals.
- Insert Terminal Screw through washers, in order shown, and torque screws to 34-38 Lbs-In (4.0-4.4 N-m).

IL012170EN H01