

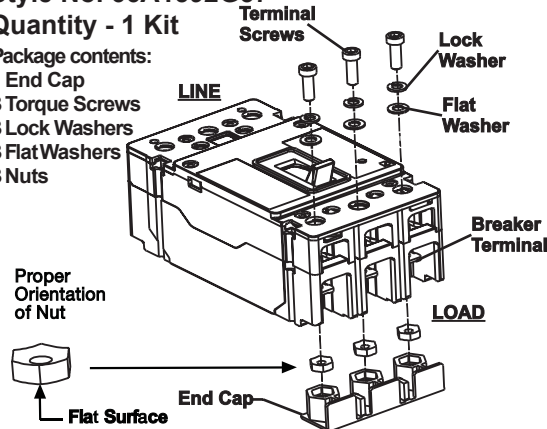
PDG1 Screw Terminal / End Cap Kit, 125 amps, 3 poles
Cat. No. PDG1X3TS125

Style No. 66A1592G37

Quantity - 1 Kit

Package contents:

- 1 End Cap
- 3 Torque Screws
- 3 Lock Washers
- 3 Flat Washers
- 3 Nuts



- Disconnect voltage and trip breaker.
- To install, place nuts flat side into End Cap, as shown, and slide onto breaker base.
- Mount breaker to panel.
- Place wire terminations on top of Breaker Terminals.
- Insert Terminal Screws through washers in order shown, and torque screws to 34 - 38 Lbs-In (4.0-4.4 N-m).



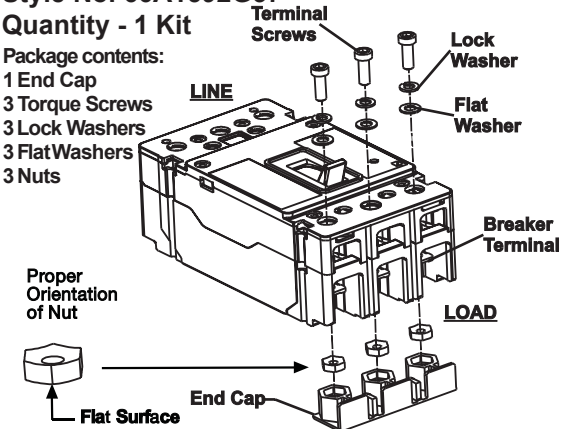
PDG1 Screw Terminal / End Cap Kit, 125 amps, 3 poles
Cat. No. PDG1X3TS125

Style No. 66A1592G37

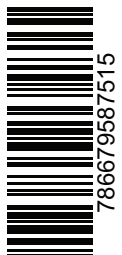
Quantity - 1 Kit

Package contents:

- 1 End Cap
- 3 Torque Screws
- 3 Lock Washers
- 3 Flat Washers
- 3 Nuts



- Disconnect voltage and trip breaker.
- To install, place nuts flat side into End Cap, as shown, and slide onto breaker base.
- Mount breaker to panel.
- Place wire terminations on top of Breaker Terminals.
- Insert Terminal Screws through washers in order shown, and torque screws to 34 - 38 Lbs-In (4.0-4.4 N-m).



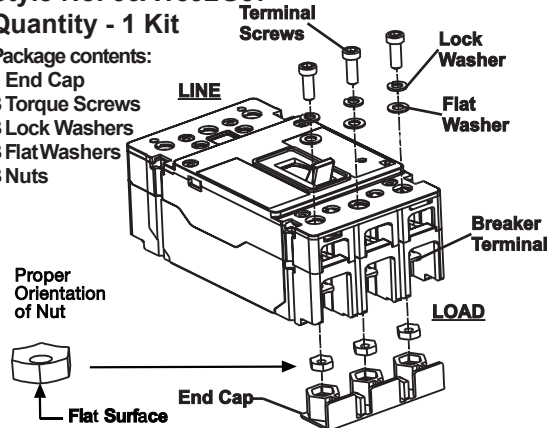
PDG1 Screw Terminal / End Cap Kit, 125 amps, 3 poles
Cat. No. PDG1X3TS125

Style No. 66A1592G37

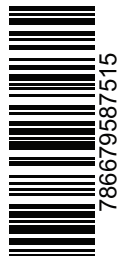
Quantity - 1 Kit

Package contents:

- 1 End Cap
- 3 Torque Screws
- 3 Lock Washers
- 3 Flat Washers
- 3 Nuts



- Disconnect voltage and trip breaker.
- To install, place nuts flat side into End Cap, as shown, and slide onto breaker base.
- Mount breaker to panel.
- Place wire terminations on top of Breaker Terminals.
- Insert Terminal Screws through washers in order shown, and torque screws to 34 - 38 Lbs-In (4.0-4.4 N-m).



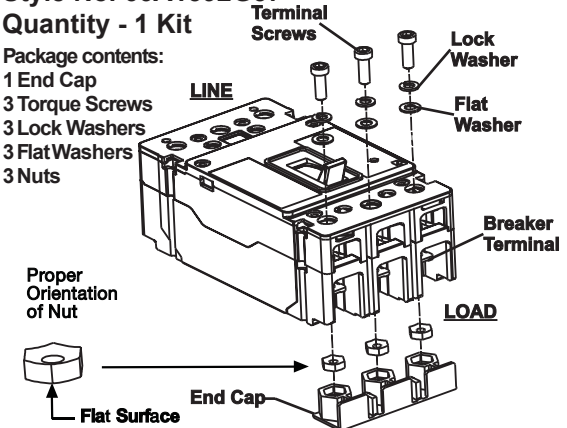
PDG1 Screw Terminal / End Cap Kit, 125 amps, 3 poles
Cat. No. PDG1X3TS125

Style No. 66A1592G37

Quantity - 1 Kit

Package contents:

- 1 End Cap
- 3 Torque Screws
- 3 Lock Washers
- 3 Flat Washers
- 3 Nuts



- Disconnect voltage and trip breaker.
- To install, place nuts flat side into End Cap, as shown, and slide onto breaker base.
- Mount breaker to panel.
- Place wire terminations on top of Breaker Terminals.
- Insert Terminal Screws through washers in order shown, and torque screws to 34 - 38 Lbs-In (4.0-4.4 N-m).

