



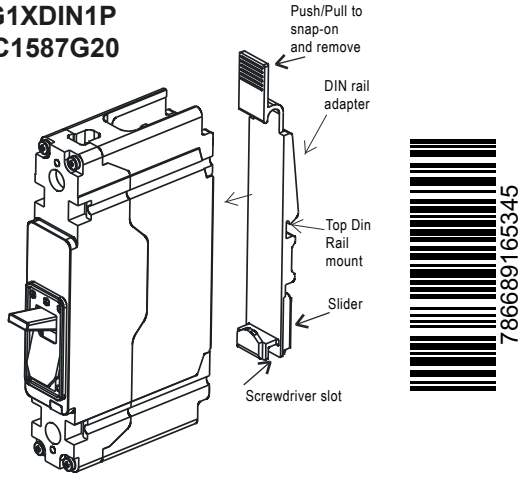
**Power Defense™**

**Circuit Breaker Accessory**

**For PDG1 Frame**

**DIN Rail Adapter, Single Pole**  
**Cat. No - PDG1XDIN1P**  
**Style No - 66C1587G20**  
**Quantity - 1**

**Package content:**  
**1 - Din Rail Adapter**



- **Disconnect Voltage and trip breaker before any installation or removal.**
- **Clip DIN rail adapter onto breaker in orientation as shown, insert top DIN rail mount onto DIN rail, and push breaker towards mounting panel until adapter snaps on DIN rail.**
- **To remove breaker, push on adapter where indicated and pull breaker toward you. To remove adapter from DIN rail, place screwdriver in slot and pull up slider to release.**

IL012184EN H01



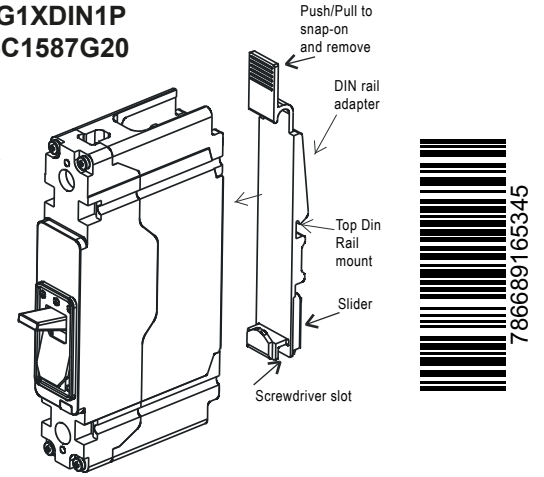
**Power Defense™**

**Circuit Breaker Accessory**

**For PDG1 Frame**

**DIN Rail Adapter, Single Pole**  
**Cat. No - PDG1XDIN1P**  
**Style No - 66C1587G20**  
**Quantity - 1**

**Package content:**  
**1 - Din Rail Adapter**



- **Disconnect Voltage and trip breaker before any installation or removal.**
- **Clip DIN rail adapter onto breaker in orientation as shown, insert top DIN rail mount onto DIN rail, and push breaker towards mounting panel until adapter snaps on DIN rail.**
- **To remove breaker, push on adapter where indicated and pull breaker toward you. To remove adapter from DIN rail, place screwdriver in slot and pull up slider to release.**

IL012184EN H01



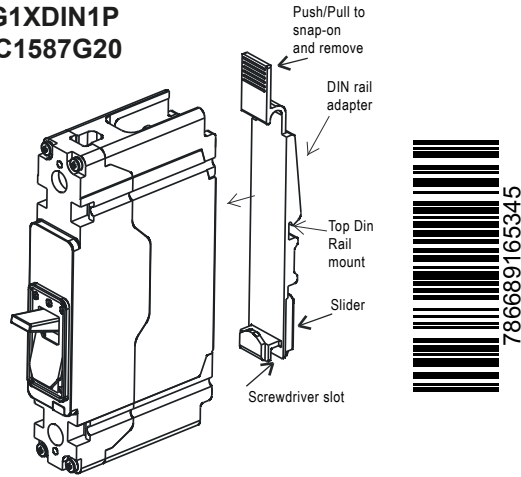
**Power Defense™**

**Circuit Breaker Accessory**

**For PDG1 Frame**

**DIN Rail Adapter, Single Pole**  
**Cat. No - PDG1XDIN1P**  
**Style No - 66C1587G20**  
**Quantity - 1**

**Package content:**  
**1 - Din Rail Adapter**



- **Disconnect Voltage and trip breaker before any installation or removal.**
- **Clip DIN rail adapter onto breaker in orientation as shown, insert top DIN rail mount onto DIN rail, and push breaker towards mounting panel until adapter snaps on DIN rail.**
- **To remove breaker, push on adapter where indicated and pull breaker toward you. To remove adapter from DIN rail, place screwdriver in slot and pull up slider to release.**

IL012184EN H01



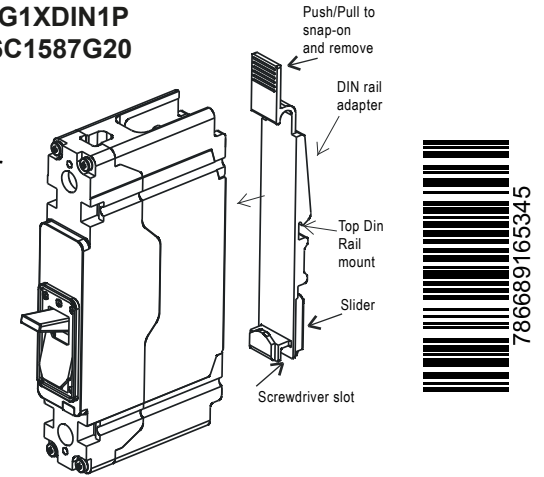
**Power Defense™**

**Circuit Breaker Accessory**

**For PDG1 Frame**

**DIN Rail Adapter, Single Pole**  
**Cat. No - PDG1XDIN1P**  
**Style No - 66C1587G20**  
**Quantity - 1**

**Package content:**  
**1 - Din Rail Adapter**



- **Disconnect Voltage and trip breaker before any installation or removal.**
- **Clip DIN rail adapter onto breaker in orientation as shown, insert top DIN rail mount onto DIN rail, and push breaker towards mounting panel until adapter snaps on DIN rail.**
- **To remove breaker, push on adapter where indicated and pull breaker toward you. To remove adapter from DIN rail, place screwdriver in slot and pull up slider to release.**

IL012184EN H01