



**Power
Defense™**

**Circuit Breaker
Accessory**

**For PDG1
Frame**

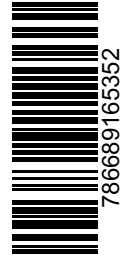
IL012185EN H01

DIN Rail Adapter, 2-, 3-, 4-Pole
Cat. No - PDG1XDIN234P
Style No - 66C1587G21
Quantity - 1

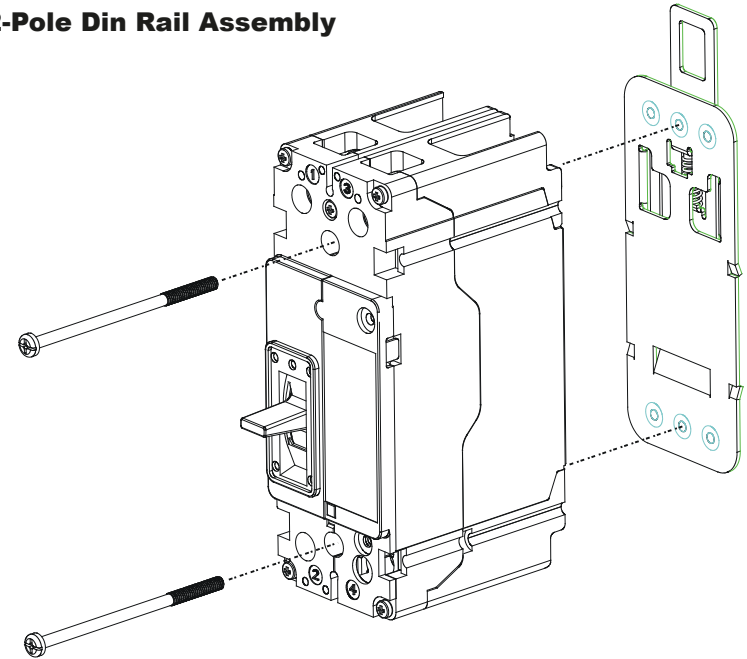
Package Content:
1 - DIN Rail Adapter
2 - Mounting Screws

Installation:

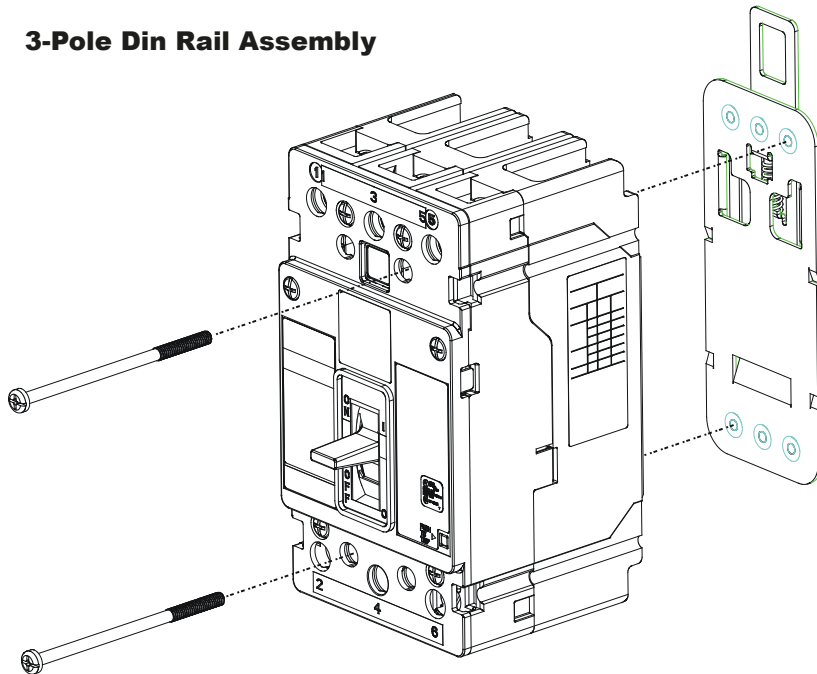
- * Disconnect voltage and trip breaker before any installation or removed.
- * Insert screws through opposite corners of breaker mounting holes and thread a couple of turns into the Din Rail Adapter.
- * Clip Din Rail Adapter tabs on bottom of din rail. Push breaker towards mounting panel unit. Adapter snaps onto din rail.
- * Tighten screws down to mounting panel. Do not over-tighten.
- * To remove, loosen screws from mounting panel. Place a screwdriver blade in slot and pull up on Slider to release from din rail.



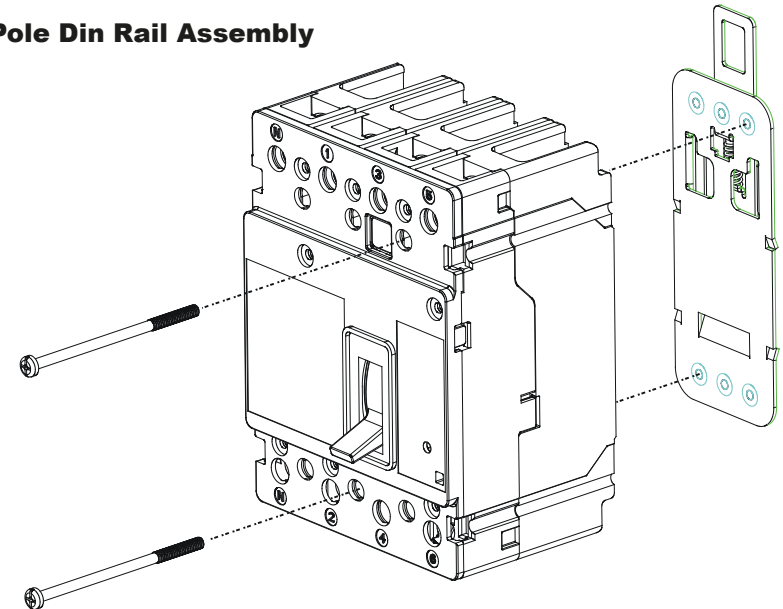
2-Pole Din Rail Assembly



3-Pole Din Rail Assembly



4-Pole Din Rail Assembly



Mount Din Rail with respect to right-hand poles