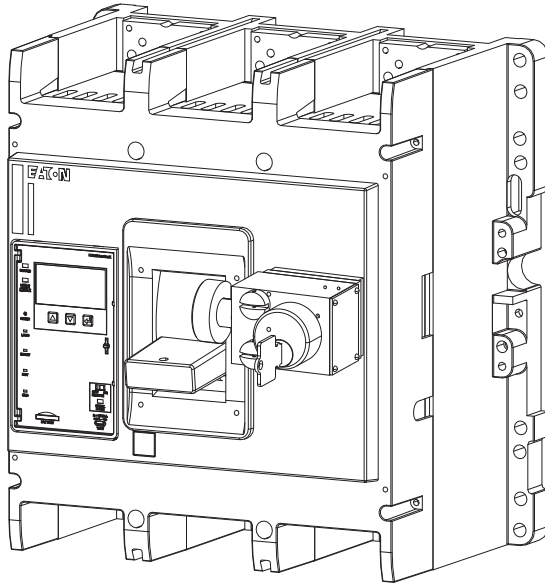


Instructions for Key Interlock Installation on PD6 Circuit Breakers and Molded Case Switches



Contents

Description	Page
1. Introduction	2
2. Installation	2

Cat # PDG6XKLPKPRF



WARNING

DO NOT ATTEMPT TO INSTALL OR PERFORM MAINTENANCE ON EQUIPMENT WHILE IT IS ENERGIZED. DEATH, SEVERE PERSONAL INJURY, OR SUBSTANTIAL PROPERTY DAMAGE CAN RESULT FROM CONTACT WITH ENERGIZED EQUIPMENT. ALWAYS VERIFY THAT NO VOLTAGE IS PRESENT BEFORE PROCEEDING WITH THE TASK, AND ALWAYS FOLLOW GENERALLY ACCEPTED SAFETY PROCEDURES.

EATON IS NOT LIABLE FOR THE MISAPPLICATION OR MISINSTALLATION OF ITS PRODUCTS.

The user is cautioned to observe all recommendations, warnings, and cautions relating to the safety of personnel and equipment as well as all general and local health and safety laws, codes, and procedures.

The recommendations and information contained herein are based on Eaton experience and judgement, but should not be considered to be all-inclusive or covering every application or circumstance which may arise. If any questions arise, contact Eaton for further information or instructions.

1. INTRODUCTION

General Information

Coded key interlocks are normally used in security systems where it is important that only certain circuit breakers or combinations of circuit breakers are switched ON at the same time.

The key interlock (Fig. 1-1) is used to externally lock the circuit breaker handle in the OFF position. When the key interlock is locked, an extended deadbolt blocks movement of the circuit breaker handle. Uniquely coded keys are removable only with the deadbolt extended. Each coded key controls a specific group of circuit breakers.

The key interlock assembly is Underwriters Laboratories, Inc. listed for field installation under UL File E64983. It consists of a mounting kit supplied by Eaton and a key interlock supplied by the customer. The mounting kit is comprised of a mounting plate, key interlock mounting screws, two thread cutting screws, deadbolt extension and a wire seal.

This instruction leaflet (IL) gives detailed procedures for installing the key interlock.

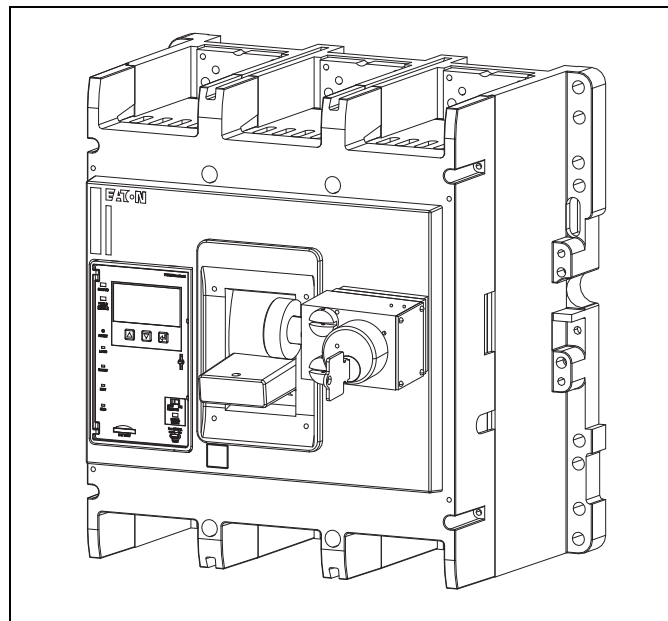


Fig. 1-1 Key Interlock Installed on PD6 Circuit Breaker

2. INSTALLATION

The key interlock is mounted in the right-pole position of both 3- and 4-pole circuit breakers. A key interlock should normally be mounted on the circuit breaker cover before the circuit breaker is installed in an electrical system. To install the key interlock, perform the following steps.

 **WARNING**

BEFORE MOUNTING THE KEY INTERLOCK ON A CIRCUIT BREAKER INSTALLED IN AN ELECTRICAL SYSTEM, MAKE SURE THE CIRCUIT BREAKER IS SWITCHED TO THE OFF POSITION AND THAT THERE IS NO VOLTAGE PRESENT WHERE WORK IS TO BE PERFORMED. SPECIAL ATTENTION SHOULD BE PAID TO REVERSE FEED APPLICATIONS TO ENSURE NO VOLTAGE IS PRESENT. THE VOLTAGES IN ENERGIZED EQUIPMENT CAN CAUSE DEATH OR SEVERE PERSONAL INJURY.

Note: When the key interlock is mounted on the circuit breaker cover, part of the nameplate information is covered. Before mounting the key interlock, make sure that the information is recorded for future reference. A blank nameplate is supplied to record hidden information. The nameplate should be placed in a convenient location on the circuit breaker cover.

- 2-1. Locate the mounting holes in the cover (see Fig. 2-1).
- 2-2. Position mounting plate on circuit breaker cover. Align mounting holes (see Fig. 2-2). Align pin in plate with corresponding hole in cover.

 **CAUTION**

FIRMLY TIGHTEN, BUT DO NOT OVERTIGHTEN, MOUNTING PLATE SCREWS. OVERTIGHTENING SCREWS CAN DAMAGE THE CIRCUIT BREAKER COVER.

- 2-3. Secure mounting plate with two special #10 (4.8 mm) cross-recessed, pan-head screws provided. Torque screws to 30 lb-in. (3.5 N.m). Use only hardware provided, do not substitute.
- 2-4. Assemble deadbolt extension to deadbolt with flat area towards circuit breaker. Secure with setscrew provided. (Fig. 2-2).

- 2-5. Position key interlock (deadbolt in withdrawn position) on base mounting plate. Align mounting holes. (Fig. 2-2).

 **CAUTION**

USE THE HARDWARE SUPPLIED WITH MOUNTING KIT TO SECURE THE KEY INTERLOCK. HARDWARE OTHER THAN THAT SUPPLIED WITH THE MOUNTING KIT WILL NOT SECURE KEY INTERLOCK TIGHTLY AND MAY LOOSEN THE MOUNTING PLATE.

- 2-6. Secure key interlock with 3/8-inch mounting screws supplied.
- 2-7. Move circuit breaker handle to the OFF position. Turn key, and check that deadbolt blocks circuit breaker handle path so that circuit breaker handle cannot be moved to the ON position.
- 2-8. Turn key, and check that deadbolt withdraws and that the circuit breaker handle can be moved to the ON position without interfering with the deadbolt.
- 2-9. Install wire seal between lock mounting bolts to deter unauthorized removal of the key interlock.

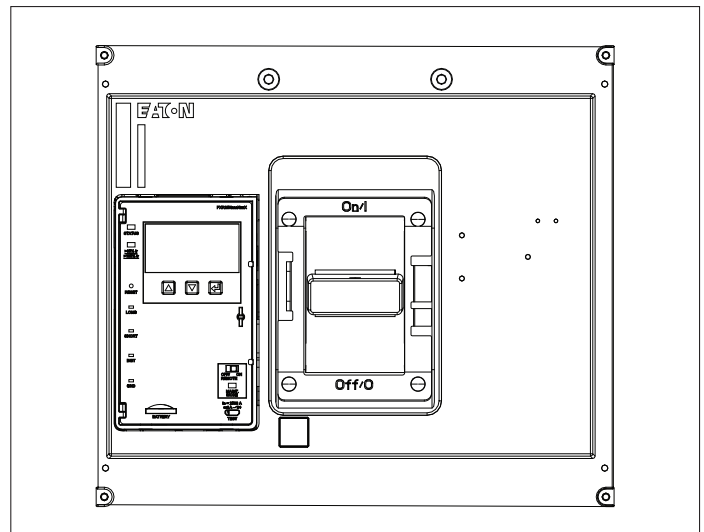


Fig. 2-1 Locating Mounting Holes

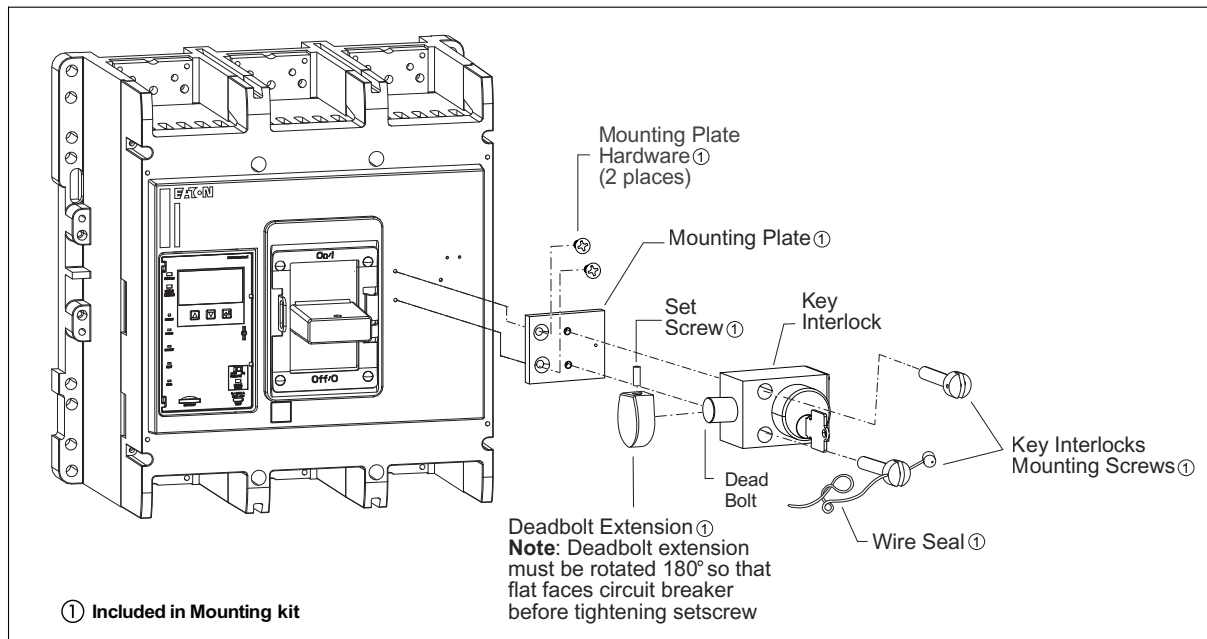


Fig. 2-2 Key Interlock Installation

The instructions for installation, testing, maintenance, or repair herein are provided for the use of the product in general commercial applications and may not be appropriate for use in nuclear applications. Additional instructions may be available upon specific request to replace, amend, or supplement these instructions to qualify them for use with the product in safety-related applications in a nuclear facility.

This Instruction Booklet is published solely for information purposes and should not be considered all-inclusive. If further information is required, you should consult an authorized Eaton sales representative.

The sale of the product shown in this literature is subject to the terms and conditions outlined in appropriate Eaton selling policies or other contractual agreement between the parties. This literature is not intended to and does not enlarge or add to any such contract. The sole source governing the rights and remedies of any purchaser of this equipment is the contract between the purchaser and Eaton.

NO WARRANTIES, EXPRESSED OR IMPLIED, INCLUDING WARRANTIES OF FITNESS FOR A PARTICULAR PURPOSE OR MERCHANTABILITY, OR WARRANTIES ARISING FROM COURSE OF DEALING OR USAGE OF TRADE, ARE MADE REGARDING THE INFORMATION, RECOMMENDATIONS, AND DESCRIPTIONS CONTAINED HEREIN.

In no event will Eaton be responsible to the purchaser or user in contract, in tort (including negligence), strict liability or otherwise for any special, indirect, incidental or consequential damage or loss whatsoever, including but not limited to damage or loss of use of equipment, plant or power system, cost of capital, loss of power, additional expenses in the use of existing power facilities, or claims against the purchaser or user by its customers resulting from the use of the information, recommendations and description contained herein.

Eaton
1000 Eaton Boulevard
Cleveland, OH 44122
United States
Eaton.com

© 2019 Eaton
All Rights Reserved
Printed in USA
Publication No. IL012282EN
Part No. IL012282EN H01