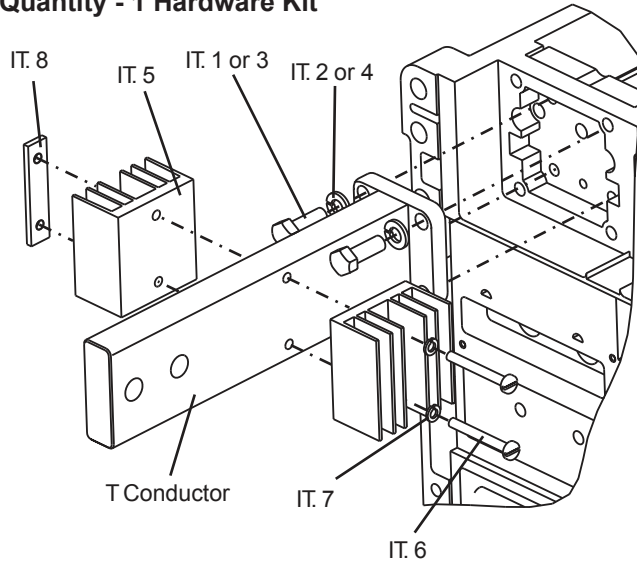


**PDG6 Bar Rear Connectors, (Copper),
2000 - 5000 amps**
Style No. 4225B60G __ (see chart below)
Quantity - 1 Hardware Kit

**Power
Defense™**

**Circuit Breaker
Accessory**

**For PDG6
Frame**



**PDG6 Rear Conductor
Hardware Kit Quantities**

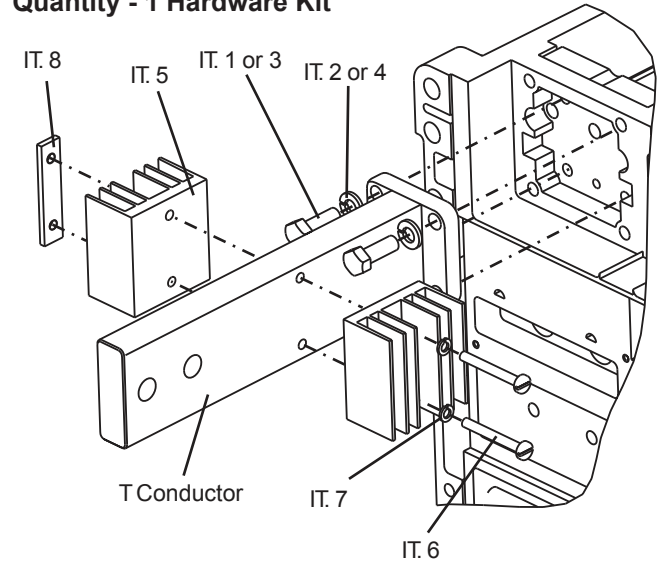
IT.	Hardware Description	PDG6X1T2000RC	PDG6X1T2500RC	PDG6X1T2000RC	PDG6X1T2500RCM	PDG6X1T2000RCM	PDG6X1T2000RCM	G58	G59	G60	G77	G78	G79
1	Hex Bolt .312-18 x .875 (22.2 mm)	4	4	4									
2	Lockwasher .312	4	4	4									
3	Hex Head Screw M8 x 20 mm				4	4	4						
4	Conical Lockwasher M8				4	4	4						
5	Heat Sink		2			2							
6	Screw 10-32 x 1.625 (41.3 mm)		2			2							
7	Lockwasher 10-32		2			2							
8	Nut Plate		1			1							

**PDG6 Bar Rear Connectors, (Copper),
2000 - 5000 amps**
Style No. 4225B60G __ (see chart below)
Quantity - 1 Hardware Kit

**Power
Defense™**

**Circuit Breaker
Accessory**

**For PDG6
Frame**



**PDG6 Rear Conductor
Hardware Kit Quantities**

IT.	Hardware Description	PDG6X1T2000RC	PDG6X1T2500RC	PDG6X1T2000RC	PDG6X1T2500RCM	PDG6X1T2000RCM	PDG6X1T2000RCM	G58	G59	G60	G77	G78	G79
1	Hex Bolt .312-18 x .875 (22.2 mm)	4	4	4									
2	Lockwasher .312	4	4	4									
3	Hex Head Screw M8 x 20 mm				4	4	4						
4	Conical Lockwasher M8				4	4	4						
5	Heat Sink		2			2							
6	Screw 10-32 x 1.625 (41.3 mm)		2			2							
7	Lockwasher 10-32		2			2							
8	Nut Plate		1			1							