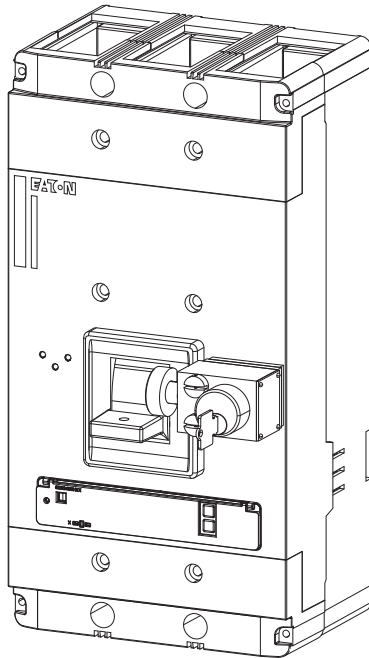


Instructions for Key Interlock Installation on PD5 Circuit Breakers and Molded Case Switches



Contents

Description	Page
1. Introduction	2
2. Installation	3

Cat # PDG5XKLKPSF

**WARNING**

DO NOT ATTEMPT TO INSTALL OR PERFORM MAINTENANCE ON EQUIPMENT WHILE IT IS ENERGIZED. DEATH, SEVERE PERSONAL INJURY, OR SUBSTANTIAL PROPERTY DAMAGE CAN RESULT FROM CONTACT WITH ENERGIZED EQUIPMENT. ALWAYS VERIFY THAT NO VOLTAGE IS PRESENT BEFORE PROCEEDING WITH THE TASK, AND ALWAYS FOLLOW GENERALLY ACCEPTED SAFETY PROCEDURES.

EATON IS NOT LIABLE FOR THE MISAPPLICATION OR MISINSTALLATION OF ITS PRODUCTS.

The user is cautioned to observe all recommendations, warnings, and cautions relating to the safety of personnel and equipment as well as all general and local health and safety laws, codes, and procedures.

The recommendations and information contained herein are based on Eaton experience and judgement, but should not be considered to be all-inclusive or covering every application or circumstance which may arise. If any questions arise, contact Eaton for further information or instructions.

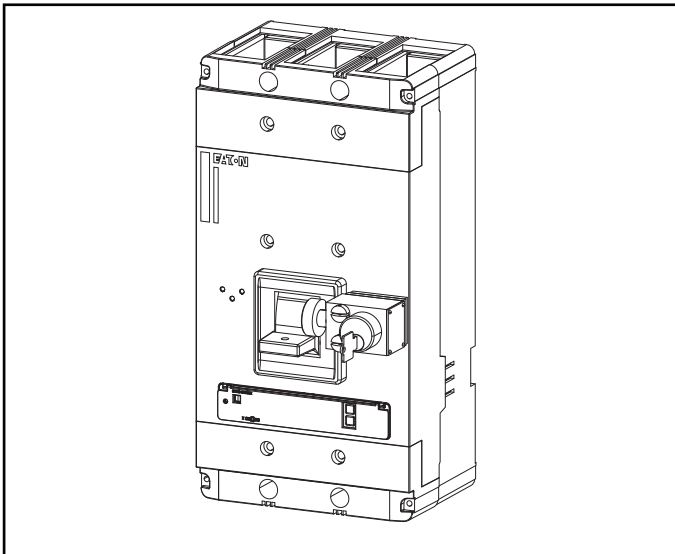


Fig 1-1 Key Interlock Installed on PD5
Circuit Breaker.

1. INTRODUCTION**General Information**

Coded key interlocks are normally used in security systems where it is important that only certain circuit breakers or combinations of circuit breakers are switched ON at the same time.

The key interlock (Fig. 1-1) is used to externally lock the circuit breaker handle in the OFF position. When the key interlock is locked, an extended deadbolt blocks movement of the circuit breaker handle. Uniquely coded keys are removable only with the deadbolt extended. Each coded key controls a specific group of circuit breakers.

The key interlock assembly has been evaluated by Underwriters Laboratories, Inc. as an unlisted component for use with these circuit breakers and molded case switches. It consists of a mounting kit supplied by Eaton and a key interlock supplied by the customer. The mounting kit is comprised of a mounting plate and cover plate, which are secured to the circuit breaker cover in either the left- or right-pole position, key interlock mounting screws, and a wire seal.

This instruction leaflet (IL) gives detailed procedures for installing the key interlock.

2. INSTALLATION

The key interlock can be mounted in the left or right-pole position of a 2-, 3-, and 4-pole circuit breaker. A key interlock should normally be mounted on the circuit breaker cover before the circuit breaker is installed in an electrical system. To install the key interlock, perform the following steps.

**WARNING**

BEFORE MOUNTING THE KEY INTERLOCK ON A CIRCUIT BREAKER INSTALLED IN AN ELECTRICAL SYSTEM, MAKE SURE THE CIRCUIT BREAKER IS SWITCHED TO THE OFF POSITION AND THAT THERE IS NO VOLTAGE PRESENT WHERE WORK IS

TO BE PERFORMED. SPECIAL ATTENTION SHOULD BE PAID TO REVERSE FEED APPLICATIONS TO ENSURE NO VOLTAGE IS PRESENT. THE VOLTAGES IN ENERGIZED EQUIPMENT CAN CAUSE DEATH OR SEVERE PERSONAL INJURY.

Note: When the key interlock is mounted on the circuit breaker cover, part of the nameplate information is covered. Before mounting the key interlock, make sure that the information is recorded for future reference. A blank nameplate is supplied to record hidden information. The nameplate should be placed on the side of the circuit breaker or any other convenient location adjacent to the circuit breaker.

The following steps describe how to mount the key interlock in the right-pole position of the circuit breaker. The same procedure is used for mounting the key interlock in the left-pole position

- 2-1. Mounting holes are located in the cover (See Fig. 2-1.)
- 2-2. Position cover plate on circuit breaker cover. Align mounting holes. (Fig. 2-1.)



CAUTION

FIRMLY TIGHTEN, BUT DO NOT OVERTIGHTEN, COVER PLATE SCREWS. OVERTIGHTENING SCREWS CAN DAMAGE THE CIRCUIT BREAKER COVER.

- 2-3. Secure cover plate with three special #10 (4.8 mm) cross-recessed flat head, thread-cutting screws provided. Torque screws to 18 lb-in. max. (2.03 N.m). Use only hardware provided, do not substitute.



WARNING

MAKE SURE THAT THE BASE MOUNTING PLATE IS POSITIONED ON THE CIRCUIT BREAKER COVER PLATE SO THAT THE ARROW MARKED ON THE BASE MOUNTING PLATE IS POINTING TOWARD THE HANDLE OF THE CIRCUIT BREAKER IF THE

BASE MOUNTING PLATE IS NOT POSITIONED CORRECTLY, THE KEY INTERLOCK WILL NOT PROVIDE THE DESIRED INTERLOCKING FUNCTION. FAILURE OF THE INTERLOCKING FUNCTION CAN CAUSE DEATH, SEVERE PERSONAL INJURY, OR EQUIPMENT DAMAGE.

- 2-4. Position base mounting plate on cover plate and secure with two special #10 (4.8 mm) cross-recessed, flat head screws provided. Torque screws to 25 lb-in. max (2.82 N.m). Use only hardware provided, do not substitute.
- 2-5. Assemble bolt extension to deadbolt with flat area towards circuit breaker. Secure with setscrew provided (Fig. 2-1).
- 2-6. Position key interlock (deadbolt in withdrawn position) on base mounting plate. Align mounting holes (Fig.



CAUTION

USE THE HARDWARE SUPPLIED WITH MOUNTING KIT TO SECURE THE KEY INTERLOCK. HARDWARE OTHER THAN THAT SUPPLIED WITH THE MOUNTING KIT WILL NOT SECURE KEY INTERLOCK TIGHTLY AND MAY LOOSEN THE MOUNTING PLATE.

- 2-7. Secure key interlock with 3/8 in. (9.53 mm) mounting screws supplied. Torque screws to 25 lb-in. max. (2.82 N.m).
- 2-8. Move circuit breaker handle to the OFF position. Turn key, and check that deadbolt blocks circuit breaker handle path so that circuit breaker handle cannot be moved to the ON position.
- 2-9. Turn key, and check that deadbolt withdraws and that the circuit breaker handle can be moved to the ON position without interfering with the deadbolt.
- 2-10. Install wire seal between lock mounting bolts to deter unauthorized removal of the key interlock.

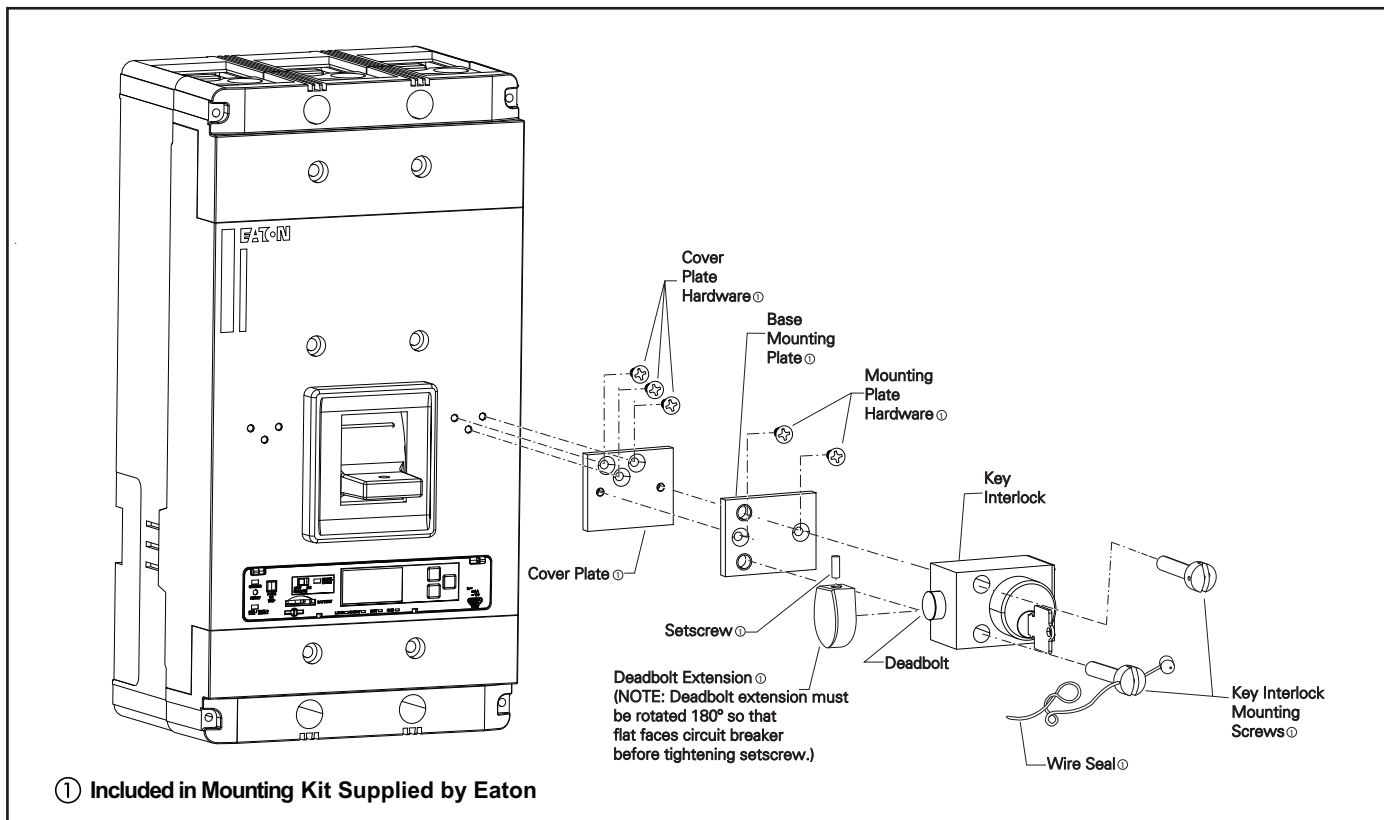


Fig. 2-1 Key Interlock Installation.

The instructions for installation, testing, maintenance, or repair herein are provided for the use of the product in general commercial applications and may not be appropriate for use in nuclear applications. Additional instructions may be available upon specific request to replace, amend, or supplement these instructions to qualify them for use with the product in safety-related applications in a nuclear facility.

This Instruction Booklet is published solely for information purposes and should not be considered all-inclusive. If further information is required, you should consult an authorized Eaton sales representative.

The sale of the product shown in this literature is subject to the terms and conditions outlined in appropriate Eaton selling policies or other contractual agreement between the parties. This literature is not intended to and does not enlarge or add to any such contract. The sole source governing the rights and remedies of any purchaser of this equipment is the contract between the purchaser and Eaton.

NO WARRANTIES, EXPRESSED OR IMPLIED, INCLUDING WARRANTIES OF FITNESS FOR A PARTICULAR PURPOSE OR MERCHANTABILITY, OR WARRANTIES ARISING FROM COURSE OF DEALING OR USAGE OF TRADE, ARE MADE REGARDING THE INFORMATION, RECOMMENDATIONS, AND DESCRIPTIONS CONTAINED HEREIN.

In no event will Eaton be responsible to the purchaser or user in contract, in tort (including negligence), strict liability or otherwise for any special, indirect, incidental or consequential damage or loss whatsoever, including but not limited to damage or loss of use of equipment, plant or power system, cost of capital, loss of power, additional expenses in the use of existing power facilities, or claims against the purchaser or user by its customers resulting from the use of the information, recommendations and description contained herein.

Eaton
1000 Eaton Boulevard
Cleveland, OH 44122
United States
Eaton.com

© 2019 Eaton
All Rights Reserved
Printed in USA
Publication No. IL012294EN
Part No. IL012294EN HO1