



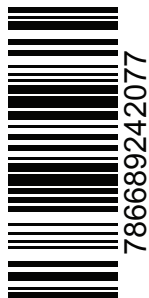
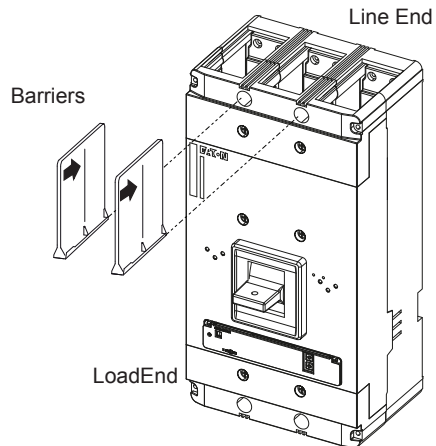
**Power
Defense™**

**Circuit Breaker
Accessory**

**For PDG5
Frame**

IL012293EN H01

Interphase Barrier Kit - 2 Barriers
Cat. Number - PDG5XIB3P
Quantity - 1



Barrier May Be Assembled To Either Line End Or Load End.
Instruction For Assembly:
• Slide Barriers Into Creepage Grooves Of Circuit Breaker.



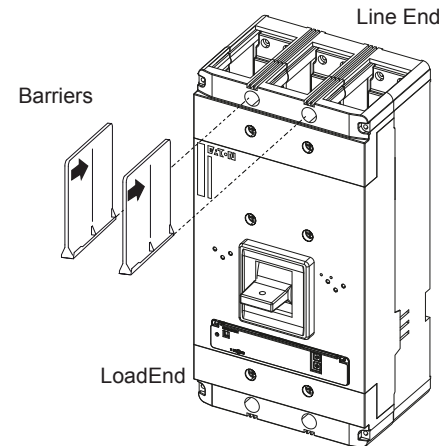
**Power
Defense™**

**Circuit Breaker
Accessory**

**For PDG5
Frame**

IL012293EN H01

Interphase Barrier Kit - 2 Barriers
Cat. Number - PDG5XIB3P
Quantity - 1



Barrier May Be Assembled To Either Line End Or Load End.
Instruction For Assembly:
• Slide Barriers Into Creepage Grooves Of Circuit Breaker.



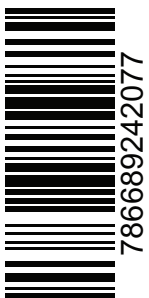
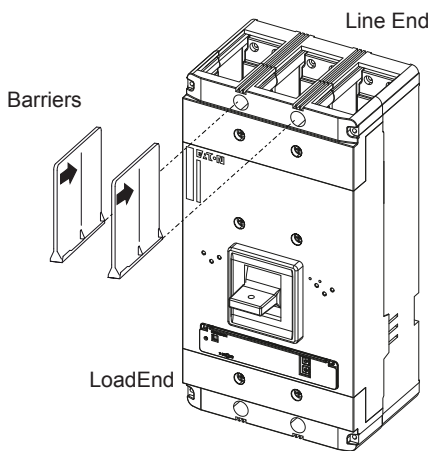
**Power
Defense™**

**Circuit Breaker
Accessory**

**For PDG5
Frame**

IL012293EN H01

Interphase Barrier Kit - 2 Barriers
Cat. Number - PDG5XIB3P
Quantity - 1



Barrier May Be Assembled To Either Line End Or Load End.
Instruction For Assembly:
• Slide Barriers Into Creepage Grooves Of Circuit Breaker.



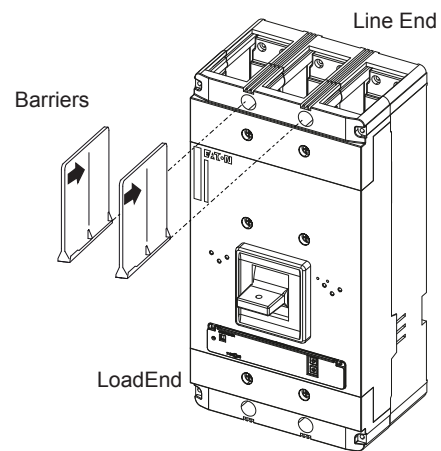
**Power
Defense™**

**Circuit Breaker
Accessory**

**For PDG5
Frame**

IL012293EN H01

Interphase Barrier Kit - 2 Barriers
Cat. Number - PDG5XIB3P
Quantity - 1



Barrier May Be Assembled To Either Line End Or Load End.
Instruction For Assembly:
• Slide Barriers Into Creepage Grooves Of Circuit Breaker.